

PRODUCT NUMBER	PITCH
H5xxA0x200J0G	7.50 mm

Dimension

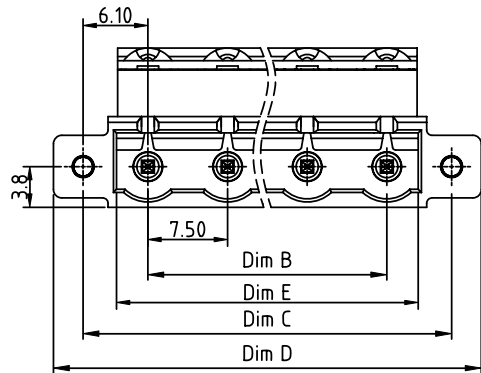
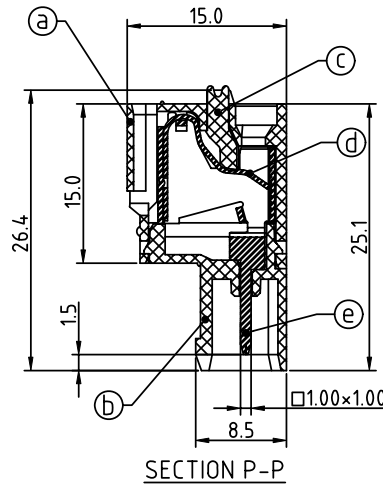
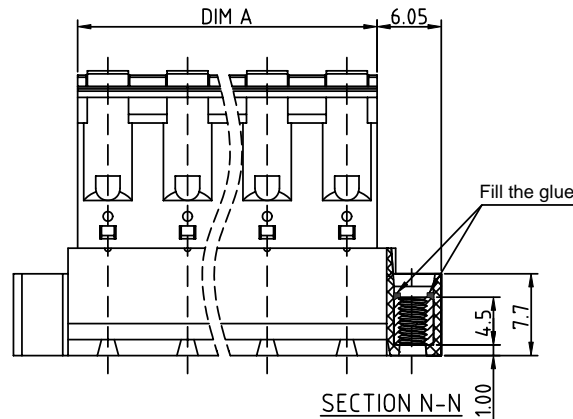
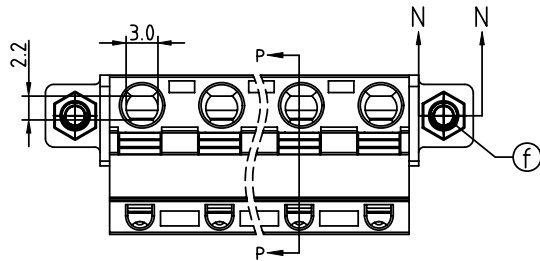
DIM A	$(N-1) \times 7.50 + 5.7$
DIM B	$(N-1) \times 7.5$
DIM C	$(N-1) \times 7.5 + 12.2$
DIM D	$N \times 7.5 + 10.3$
DIM E	$(N-1) \times 7.5 + 5.9$

N=Number of poles

POLES	Tolerance
2p-6p	± 0.20
7p-12p	± 0.30
13p-16p	± 0.40

PART NO.: H5 xx A 0 x 2 00J0 G

Solid block	0	Color	Black (RAL9005)	RoHS compliant	(lead<4%)
No. of poles	2		Red (RAL3001/D)	In copper Alloy	
02 2 poles	3		Orange(RAL2011/P)		
03 3 poles	4		Yellow(RAL1018/A)		
...	5		Green(RAL6018/T)		
16 16 poles	6		Blue (RAL5015/A)		
	8		Grey(RAL7035/D)		
	9		White(RAL1102)		
	C		Green(RAL6018/U)		



Material:

- Item@Top body:Thermoplastic(UL94V-0)
- Item@Bottom body:Thermoplastic(UL94V-0)
- Item@Terminal lever:Thermoplastic(UL94V-0) Orange (RAL2001/P)
- Item@Spring clamp:Stainless Steel
- Item@Male contact pin:PhBz (CuSn) Tin plated
- Item@Flange Nut:Brass M2.5

Electrical

- Voltage rating: 300V
- Current rating: 10A
- Solid wire(AWG): 12-26
- Stranded wire(AWG): 12-26
- Wire strip length: 9-10mm
- Withstanding Voltage: 1.6KV
- Operating temperature: -40°C to +115°C
- Safety Approval:

mat'l. code		surface ASME Y14.5	tolerance ASME Y14.5	projection 	product family TERMINAL BLOCK
ltr ecn no dr date		tolerances unless otherwise specified		MM	title TERMINAL BLOCK SPRING CLAMP, PLUGGABLE PLUG MALE CONNECTOR, FLANGE WITH NUT
		angles $X \pm 0.5$	$X.X \pm 0.3$		
		$X^{\circ} \pm 1^{\circ}$	$X.XX \pm 0.1$		dwg no H5xxA0x200J0G
		dr EVIN ZHONG 051714	051714		sheet 1 of 1 size A4
		enr EVIN ZHONG 051714	051714		type CUSTOMER Drawing
		chr HANKE FENG 051714	051714		
		appd SHI JUN 051714	051714		
sheet index	revision sheet	A	1		