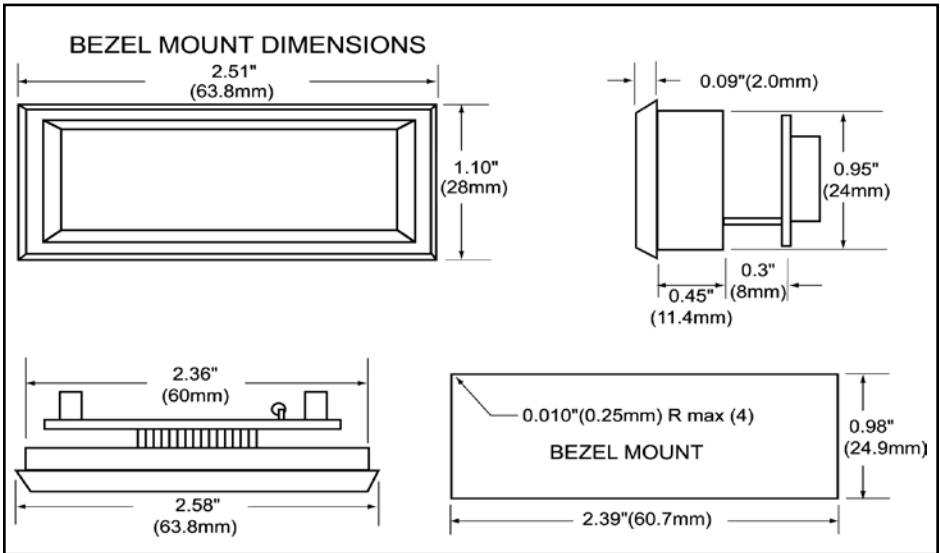


3 1/2 LOOP

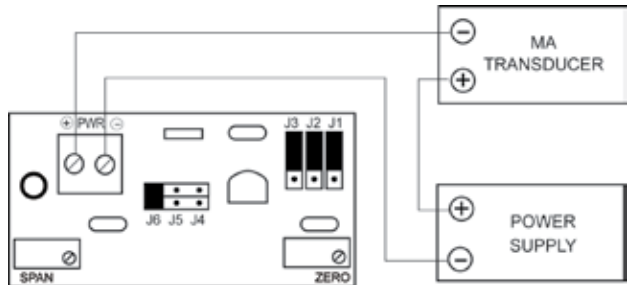
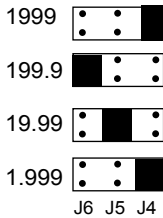
PANEL MOUNTING



JUMPER SELECTION AND WIRING

1. DECIMAL SELECTION:

(J4, J5, J6)



2. J1, J2, J3 SELECTION:

- IF:** OFFSET (ZERO) IS ≤ 0 or
 OFFSET (ZERO) > 0 and GAIN (SPAN) \div OFFSET (ZERO) ≥ 5
- IF:** OFFSET (ZERO) > 0 and GAIN (SPAN) \div OFFSET (ZERO) < 5

