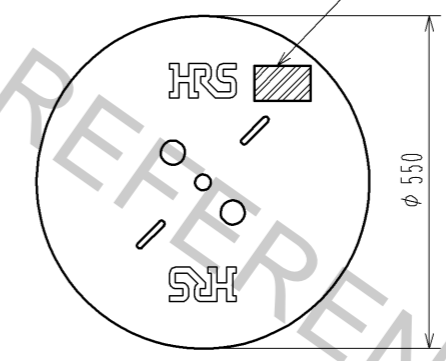


2 STYLE AND DIMENSION OF REEL



Detail of part No. Label

HRS		検査
品名コード	CL666-6003-2-00	Section Lot No. Specification Quantity Part No. Code No.
品名	DF65-2428SCF	
数量	18000	
仕様		
LDT No.		
機ざ目		Inspection

- NOTE 1. 1RL:18000 CONTACTS.  
 2. STYLE OF REEL AND BOX SHOWS IN FIGURE.  
 3. A MAXIMUM OF 5 REELS ARE PACKED UP IN ONE BOX.  
 4. PLEASE BE SURE TO CHECK THE FORM OF CRIMPING USING A CABLE. WHEN YOU ADJUST APPLICATOR.

NO.	MATERIAL	FINISH . REMARKS	NO.	MATERIAL	FINISH . REMARKS
			1	COPPER ALLOY	SURFACE:TIN PLATING 1μmMIN
UNITS mm		SCALE 10:1	COUNT 	DESCRIPTION OF REVISIONS	DESIGNED
					CHECKED
					DATE
HIROSE ELECTRIC CO., LTD.		APPROVED : KI. AKIYAMA	13.08.22	DRAWING NO. EDC3-348409-00	
		CHECED : OM. MIYAMOTO	13.08.21	PART NO. DF65-2428SCF	
		DESIGNED : TT. OHSAKO	13.08.21	CODE NO. CL666-6003-2-00	
		DRAWN : TT. OHSAKO	13.08.21		