

THIS DRAWING IS UNPUBLISHED.

RELEASED FOR PUBLICATION

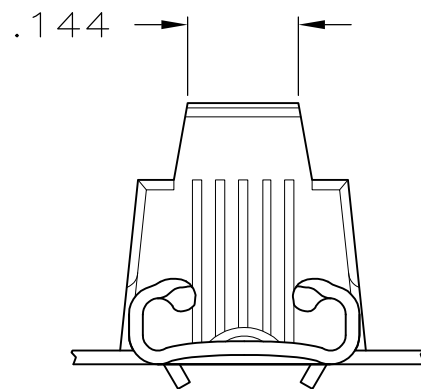
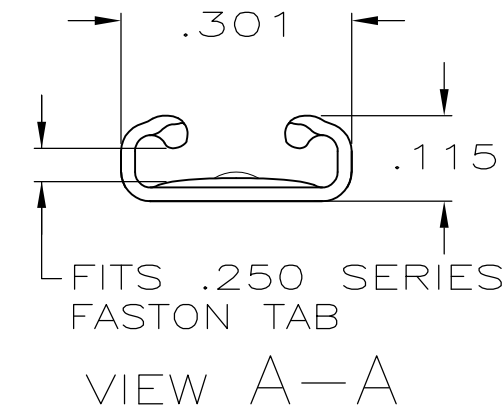
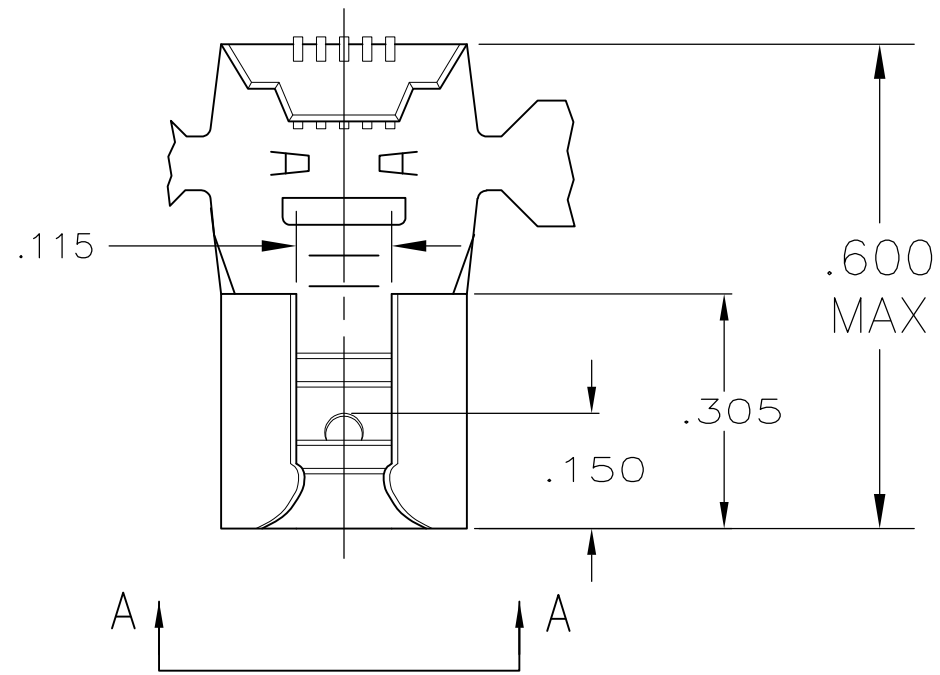
-. - .

© COPYRIGHT - By -


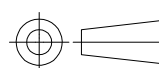
ALL RIGHTS RESERVED.

LOC	DIST	REVISIONS					
AF	50	P	LTR	DESCRIPTION	DATE	DWN	APVD
			M	REVISED PER ECR-12-013459	29NOV2012	KH	PD

1 CONTINUOUS STRIP ON REELS.



OBSOLETE	LEFT HAND	18-12	.032 ±.001	—	.016 BRASS	61177-6
	RIGHT HAND	18-12	.032 ±.001	SILVER	.016 BRASS	61177-4
	LEFT HAND	18-12	.032 ±.001	PRE-TIN	BRASS	61177-3
	RIGHT HAND	18-12	.032 ±.001	PRE-TIN	BRASS	61177-2
OBSOLETE	RIGHT HAND	18-12	.032 ±.001	—	.016 BRASS	61177-1
	REELING	WIRE SIZE	TAB THK	FINISH	MATERIAL	PART NO.

THIS DRAWING IS A CONTROLLED DOCUMENT.		DWN	JR RUTH	2/3/86	 TE Connectivity NAME .250 SERIES FLAG FASTON RECEPTACLE					
DIMENSIONS: INCHES		CHK	M FEHER	2/6/86						
		APVD	C MEYERS	2/7/86						
TOLERANCES UNLESS OTHERWISE SPECIFIED:		PRODUCT SPEC								
0 PLC ± - 1 PLC ± - 2 PLC ± - 3 PLC ± .015 4 PLC ± - ANGLES ± -		APPLICATION SPEC			SIZE	CAGE CODE	DRAWING NO	RESTRICTED TO		
MATERIAL SEE TABLE		FINISH SEE TABLE		WEIGHT	A3 00779		C-61177	—		
CUSTOMER DRAWING					SCALE	NTS	SHEET	1 OF 1	REV	M