

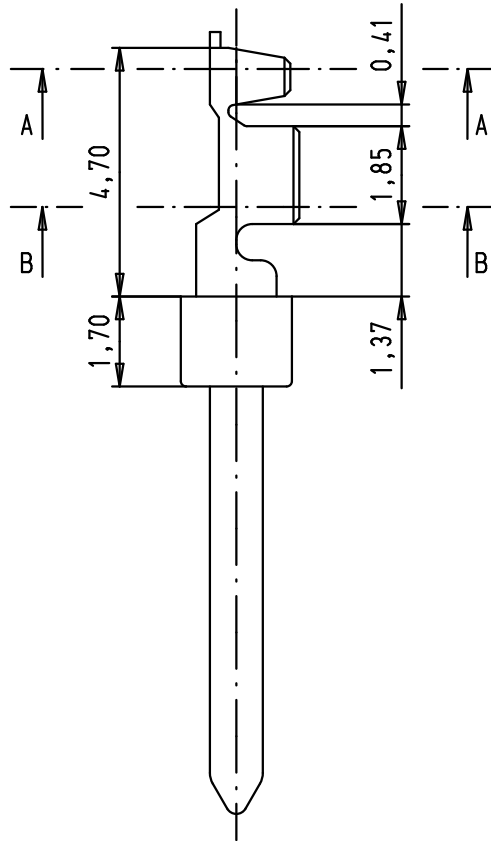
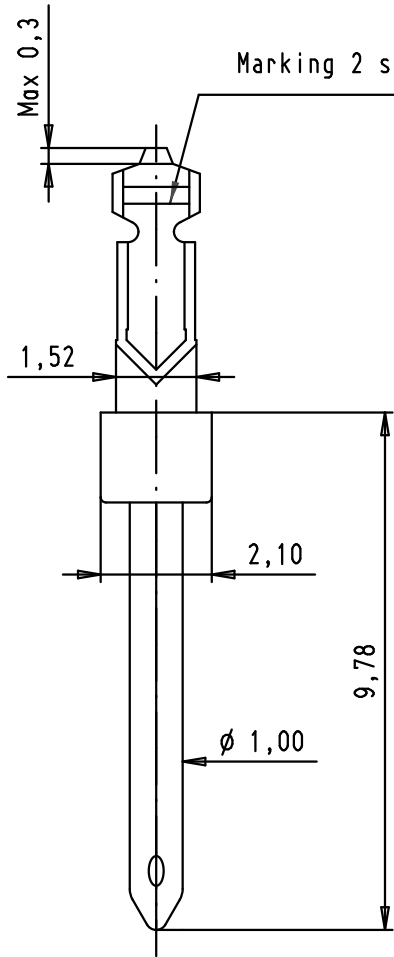
5

4

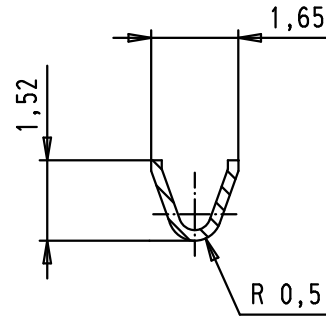
3

2

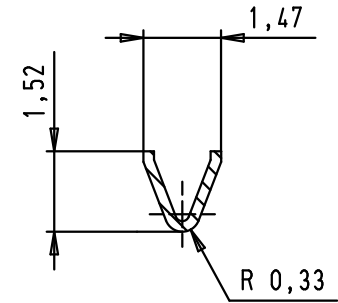
1



Section A-A



Section B-B

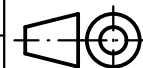


Base material: brass
 Plating: sliding contact selective gold plated over nickel
 nickel plated crimp area
 Number of contacts per bag: 500

A

09 67 000 7178	PL2
09 67 000 7177	PL3
09 67 000 7176	PL1
Part number	Performance level

			Dat.	Name
			24/03/03	PP
36288	13/01/12	SD	13/01/12	JB
33937	01/03/07	PK		
32716	18/02/05	AL		
31475	24/03/03	PP		
Mod.	Dat.	Name	HARTING EURL F-95972 Paris	



All Dim. in mm
Orig. Size DIN A 4



D-Sub, stamped male
 AWG 24-28 crimp contact,
 bag packaging

TB 09 67 000 717X

Sub.

Maßstab/
Scale

7:1

Blatt/ Page

1 / 1