

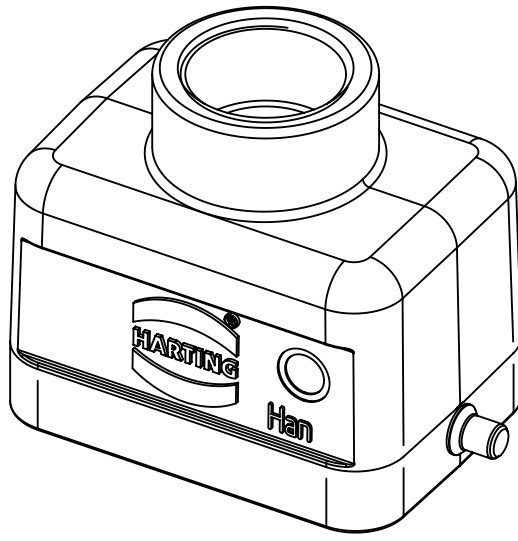
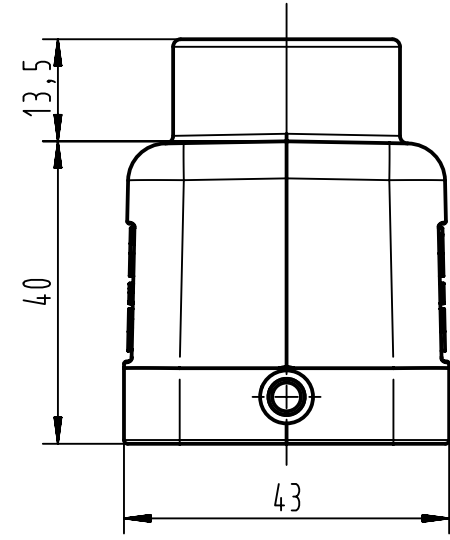
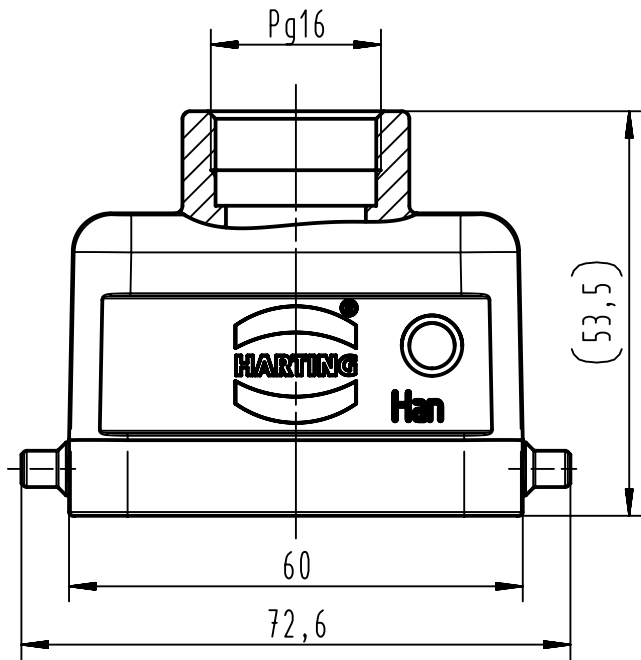
1 2 3 4 5 6

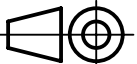

A

B

C

D



	All Dimensions in mm Original Size DIN A4		Scale 1:1		Free size tol.		Ref.		
							Sub.		
	All rights reserved		Created by RULLKOETTER	Inspected by BERGHORN	Standardisation SCHMIDTM	Date 2012-12-18	State Final Release		
	Department EL PD - DE		Title Han 6M-gg-16				Doc-Key / ECM-Nr. 100201261/UGD/004/A		
HARTING Electric GmbH & Co. KG D-32339 Espelkamp			Type TB	Number 09 37 006 1441			Rev. A	Page 1/1	