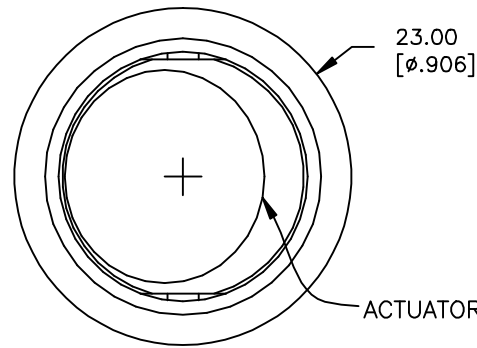
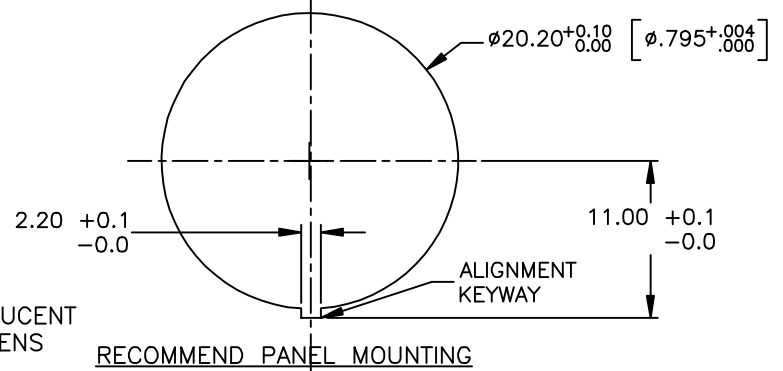


CIRCUIT: 2P; SPST  
CONTACT CONFIGURATION  
ON-OFF (ILLUMINATED)

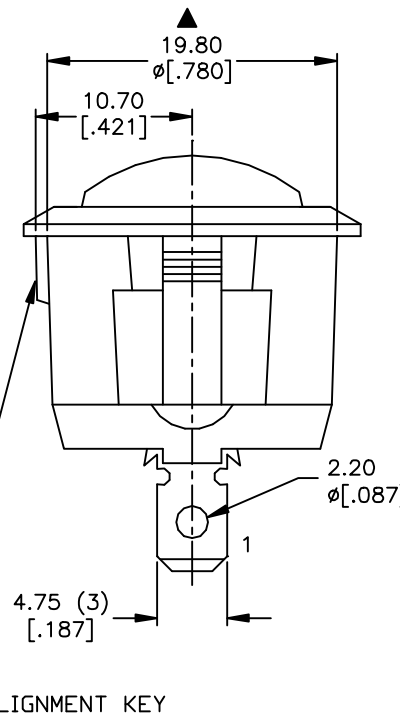
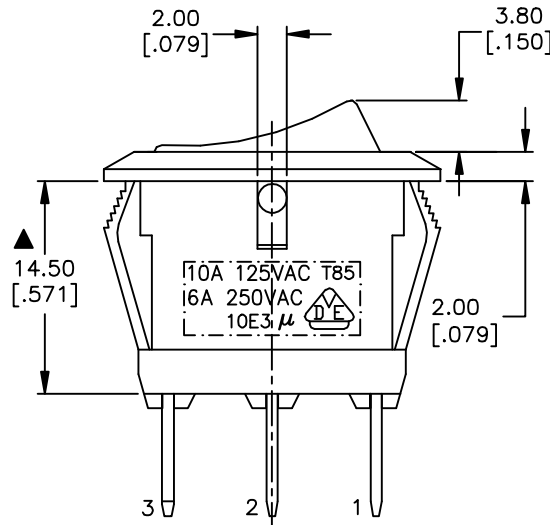


ACTUATOR: TRANSLUCENT RED LENS

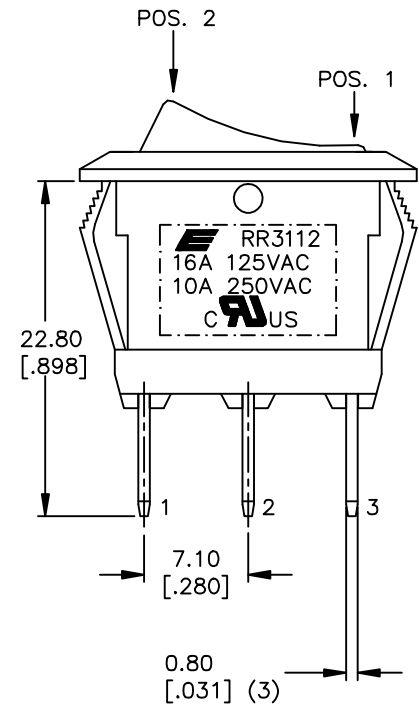


RECOMMEND PANEL MOUNTING

SWITCH FUNCTION	
POS. 1	POS. 2
ON	OFF
2-1	OPEN



ALIGNMENT KEY



NOTES:

1. ALL DIMENSIONS IN MM [INCH]
2. GENERAL TOLERANCE: 0.0=±0.4  
0.00=±0.25
3. TERM. NOS. FOR REF. ONLY
4. RATING: 16A, 12 VDC MAX.
5. CONTACT RESISTANCE: 50m ohm max.
6. INSULATION RESISTANCE: DC 500V 100M ohm min.
7. DIELECTRIC STRENGTHS: AC 1500V 1 minute
8. OPERATING TEMP.: -20°C to 85°C
- ▲ 9. LED: 12V RED
10. ▲ DENOTES CRITICAL PARAMETER.
11. 2002/95/EC (ROHS) COMPLIANT.

REV.	ECN No.	DESCRIPTION	DATE	CHKD
C	20589	CHD SCHEMATIC, AND DIM 22.80 WAS 22.60	05/04/12	DRG
B	17935	CHANGE TO TRANSLUCENT RED LENS, 3 TERMS.	1/23/08	BLR
A	16814	RELEASED FOR PRODUCTION	1/8/2007	TN

THE INFORMATION CONTAINED IN THIS DOCUMENT IS PROPRIETARY TO E-SWITCH AND IS NOT TO BE COPIED OR TRANSFERRED

**E-SWITCH®**

TITLE				
RR3112BBLKREDREDEF4 - SPECIAL				
SCALE	DATE	DR	DWG	REV
2:1	1/8/2007	BLR	F130511	C