

PART NAME

NEMA 4X PLASTIC BOX w/EXTERNAL MTG. BRKT.

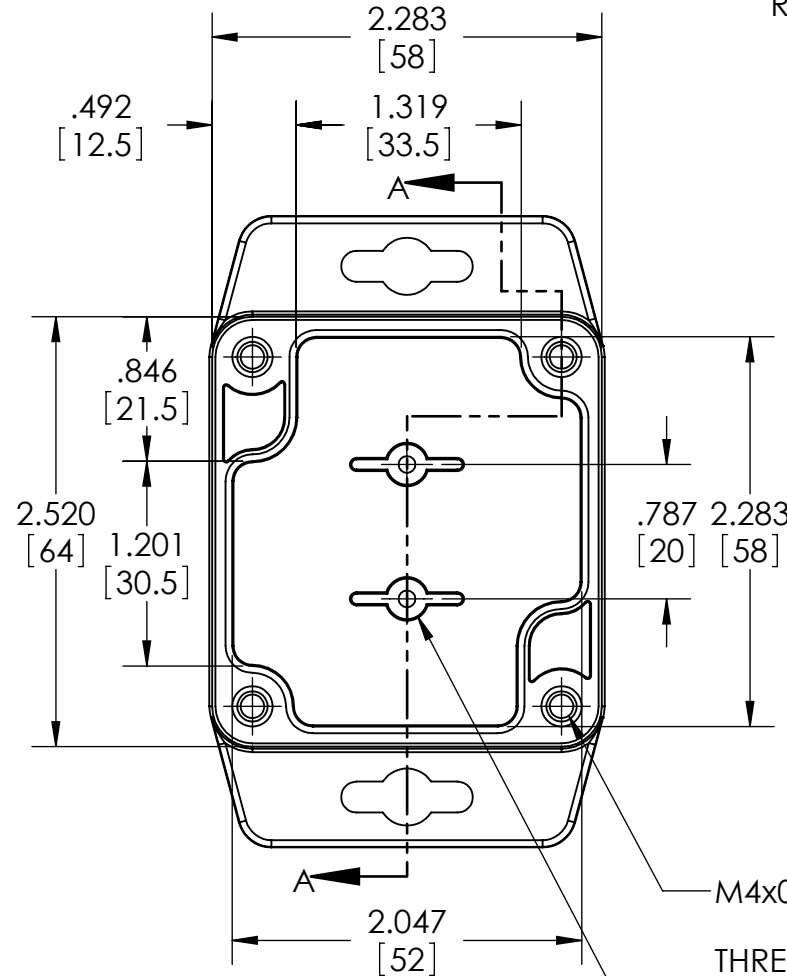
PART No.

PN-1320-MB PN-1320-CMB PN-1320-DGMB

REVISION DATE

5-26-11

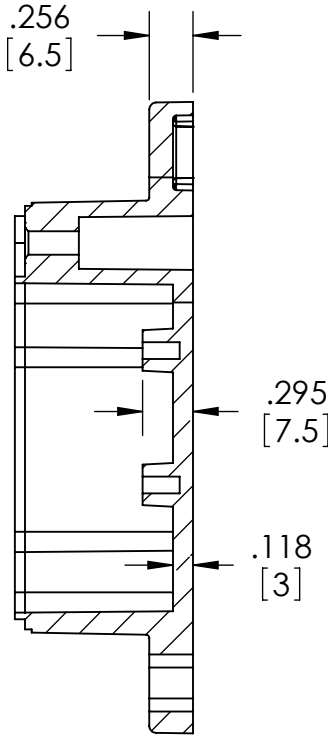
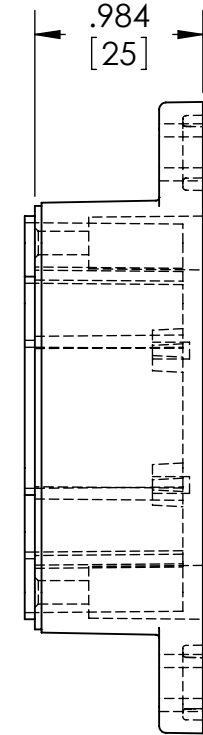
MATERIAL & FINISH:
 (-MB SUFFIX PART NO.) POLYCARBONATE UL94-HB, UV STABILIZED, SERVICE TEMPERATURE RANGE: -40°C TO +120°C, LIGHT GRAY BODY & COVER.
 (-CMB SUFFIX PART NO.) SAME AS -MB EXCEPT CLEAR COVER.
 (-DGMB SUFFIX PART NO.) ABS UL94-HB, SERVICE TEMPERATURE RANGE: -40°C TO +80°C, DARK GRAY BODY & COVER.



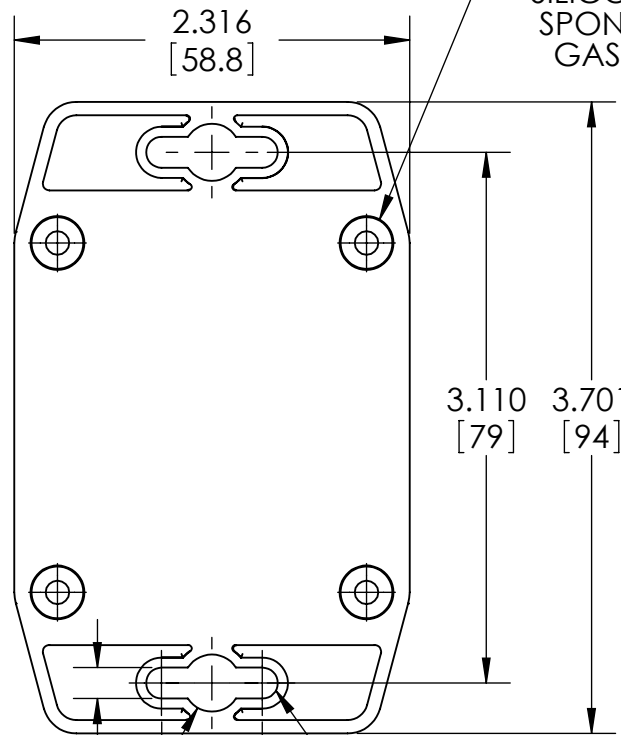
M4x0.7 x .315 LG. [8] THREADED BRASS INSERT (4x)

Ø.237 BOSS WITH Ø.098 HOLE [2.5] x .217 DEEP (2x) [5.5]
 MOUNTING BOSSES ACCEPT M3 x 4mm LG. OR #4 x 3/16" LG. SELF-TAPPING SCREWS (NOT SUPPLIED)

BODY



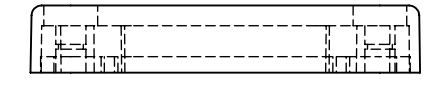
SECTION A-A



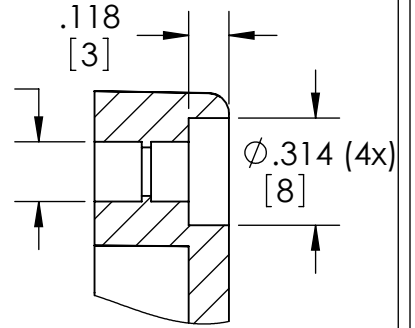
MOUNTING HOLES ACCEPT M4 OR #8 PAN HEAD SCREW (NOT SUPPLIED)

SILICONE SPONGE GASKET

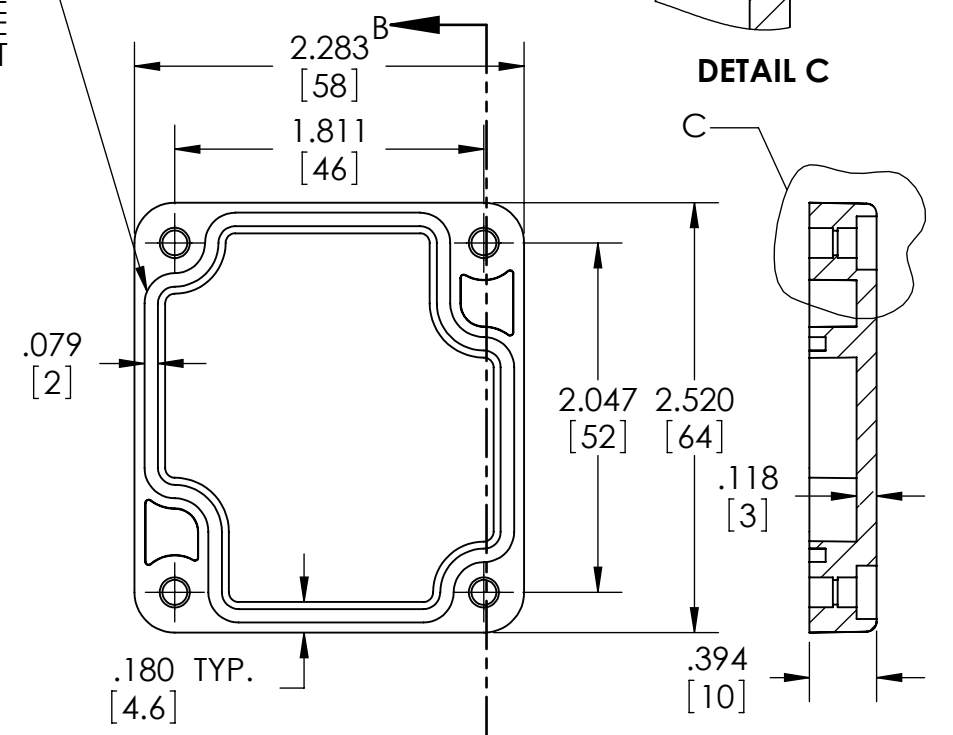
Ø.303 x .669 DEEP (4x) [7.7] [17]



Ø.175 (4x) [4.4]

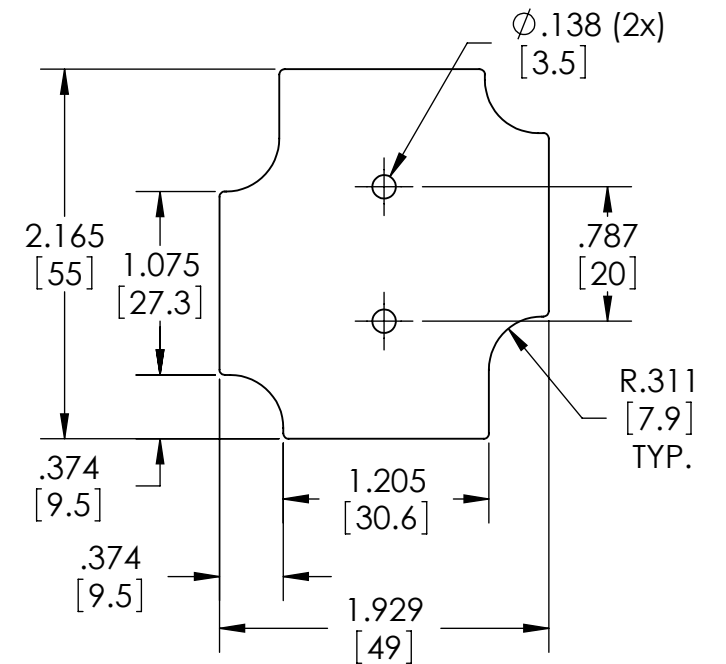
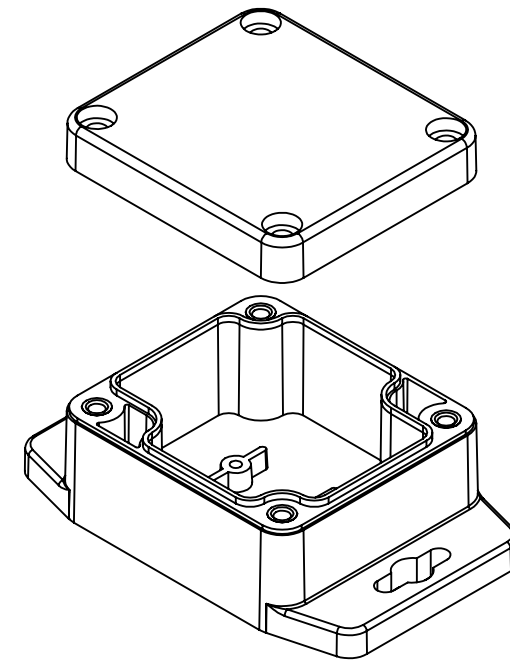
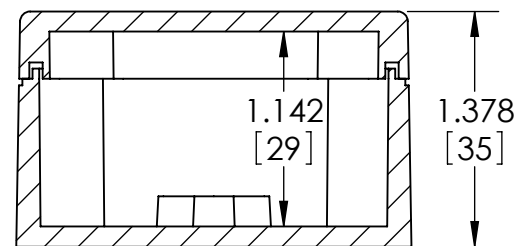


DETAIL C



COVER

SECTION B-B



SUGGESTED PC BOARD LAYOUT

NOTES:

- 1.) FOUR (4) M4x0.7 x 20mm (.787") LG. STAINLESS STEEL SCREWS SUPPLIED FOR ASSEMBLY OF COVER TO BODY.
- 2.) BOXES DESIGNED TO MEET FOLLOWING STANDARDS: NEMA 1, 2, 4, 4X, 12, 13 AND IEC529-IP65 REQUIREMENTS.
- 3.) ALL HOLE DIAMETERS HAVE ±.005[.12] TOLERANCE. ALL OTHER DIMENSIONS HAVE ±.015[.38] TOLERANCE.
- 4.) ALL OUTSIDE DRAFT ANGLE: 1° ALL INSIDE DRAFT ANGLE: 1/2°