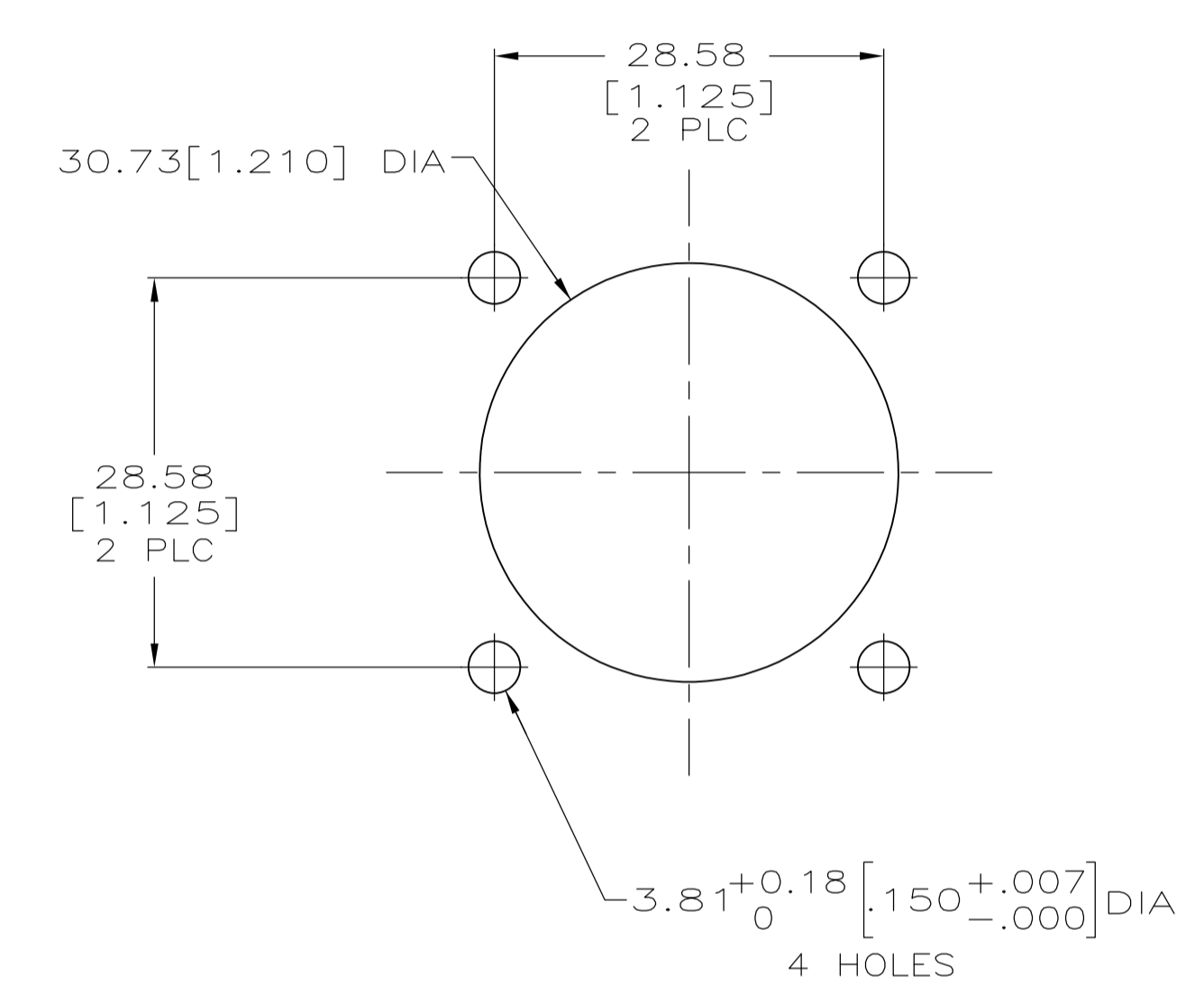
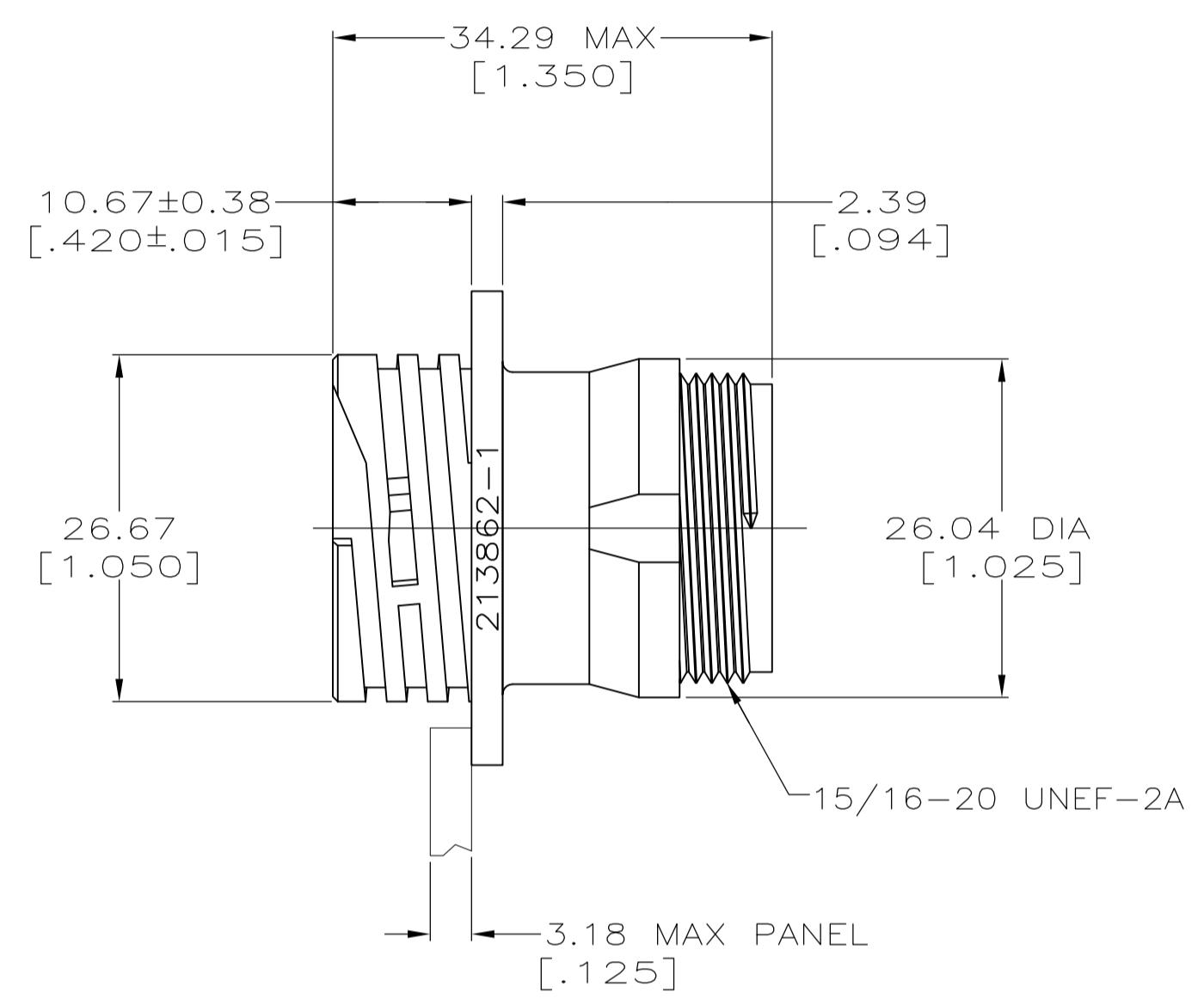
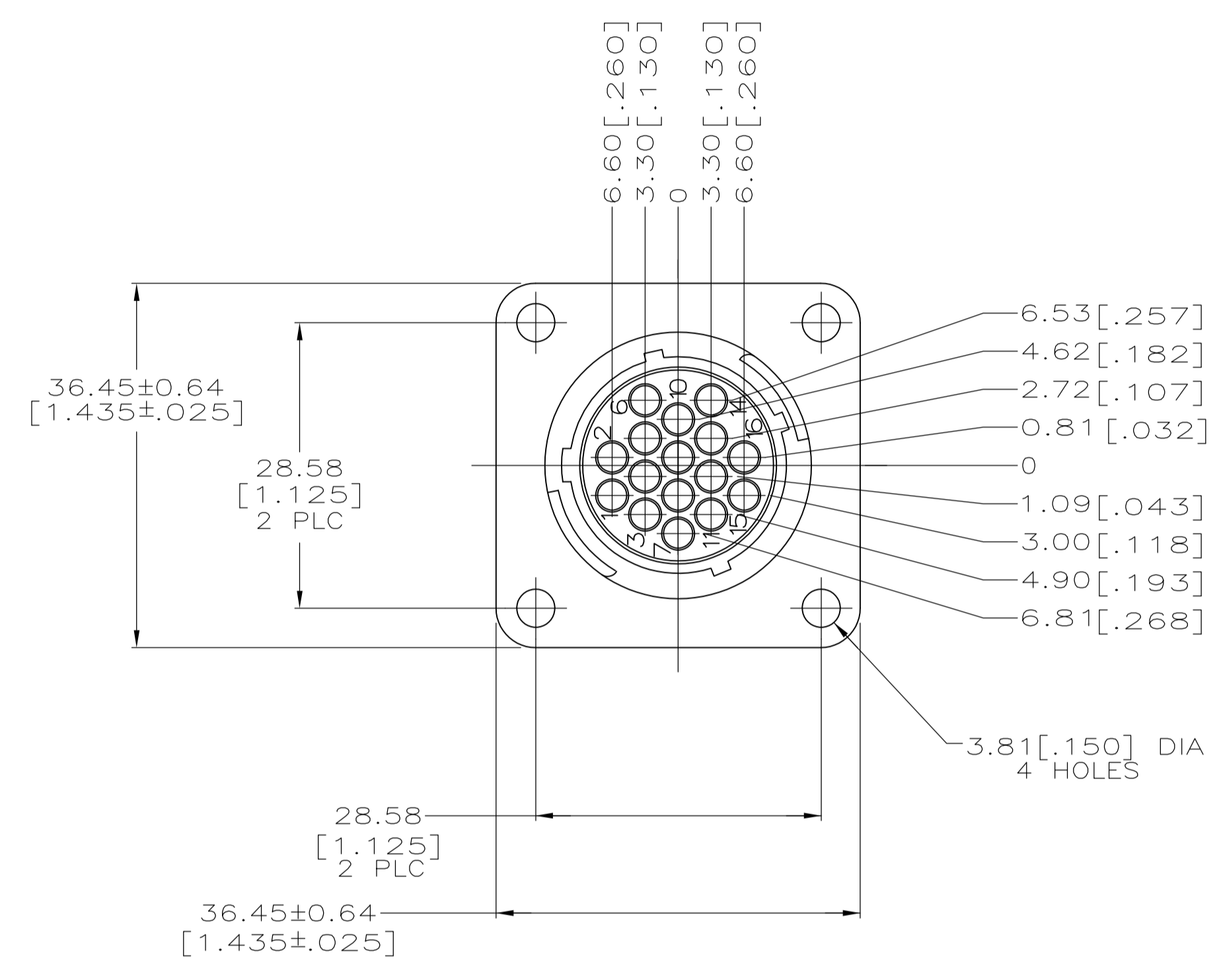


LOC		DIST		REVISIONS			
P	LTR	DESCRIPTION	DATE	DMN	APVD		
A		REVISED PER ECO-12-015521	28SEP12	KH	MZ		

- 1 CAVITY IDENTIFICATION ON FRONT AND REAR FACE.
- 2 WILL ACCEPT (16) MULTIMATE PIN CONTACTS.



RECOMMENDED PANEL CUTOUT

213862-1  
PART NUMBER

THIS DRAWING IS A CONTROLLED DOCUMENT.		DIN K.FOLTZ 12/21/94	TE Connectivity	
DIMENSIONS: mm(INCHES)		CHK R.STONE 01/05/95	APVD T.COULSON 01/05/95	
TOLERANCES UNLESS OTHERWISE SPECIFIED:		NAME RECEPTACLE HOUSING, STANDARD SEX, SIZE 17, CPC		
0 PLC ± -		PRODUCT SPEC 108-10024		
1 PLC ± -		APPLICATION SPEC		
2 PLC ± 0.25 [.010]		SIZE A1		
3 PLC ± -		CAGE CODE 00779		
4 PLC ± -		DRAWING NO 213862		
ANGLES ± -		RESTRICTED TO		
MATERIAL NYLON, BLACK	FINISH -	WEIGHT -	CUSTOMER DRAWING	
		SCALE 2:1	SHEET 1 OF 1	REV A