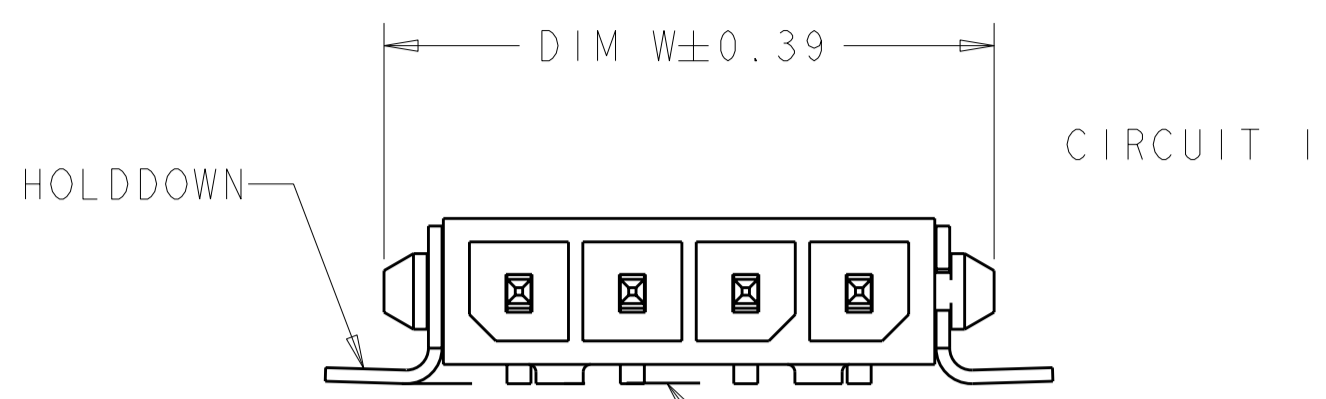
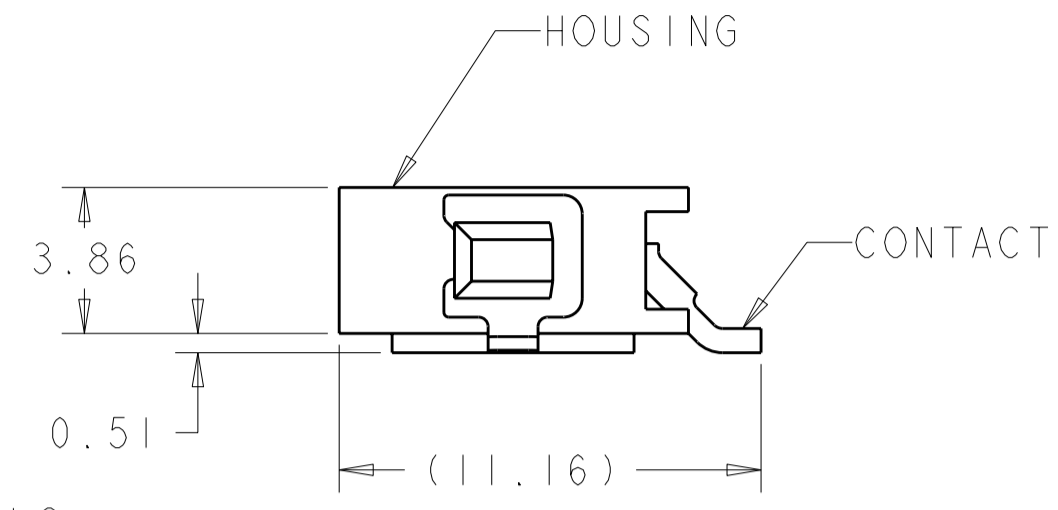


THIS DRAWING IS UNPUBLISHED. RELEASED FOR PUBLICATION 20
 © COPYRIGHT 20 ALL RIGHTS RESERVED.

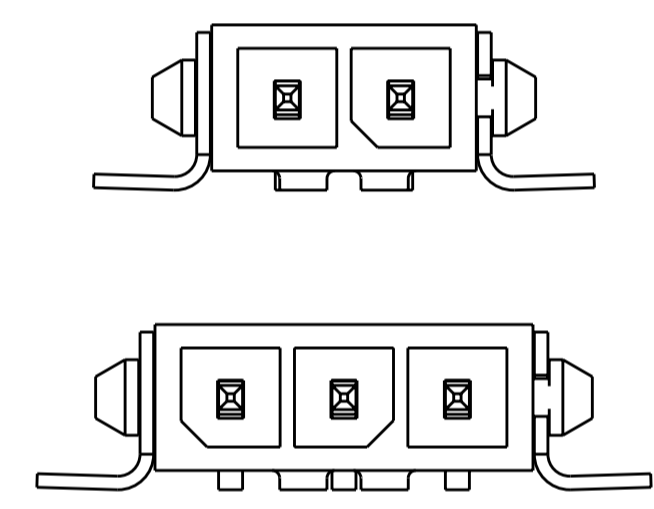
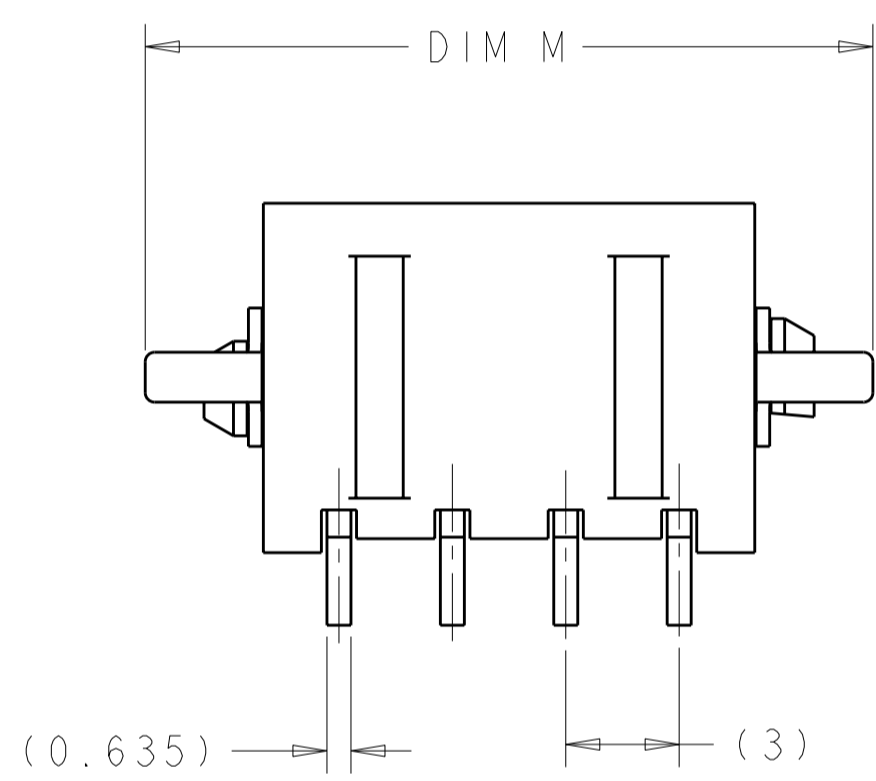
LOC	DIST	REVISIONS					
CM	00	P	LTR	DESCRIPTION	DATE	DWN	APVD
			AI	REVISED PER ECO-11-005027	07MAY2011	RK	HMR



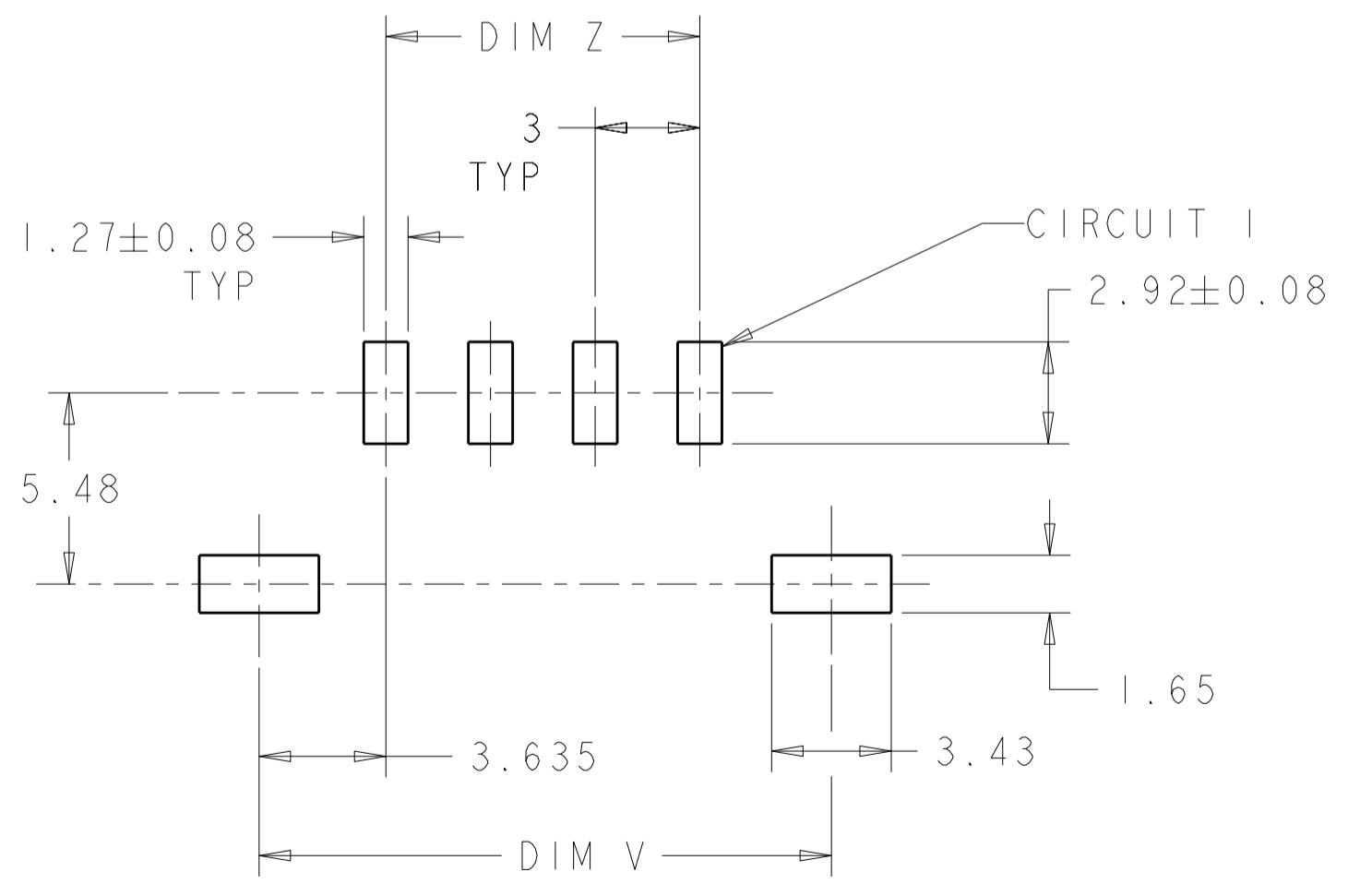
0.15
 INCLUDES CONTACT TAILS,
 HOUSING STANDOFFS, AND
 BOARDLOCKS



- 1 MATERIAL: CONTACTS - BRASS
 HOUSING - UL 94V-0 RATED HIGH TEMP NYLON,
 COLOR BLACK.
 HOLDDOWNS - PHOSPHOR BRONZE.
- 2 PLATING: CONTACTS - 2.54µm MINIMUM TIN OVER 1.27µm MINIMUM NICKEL.
 HOLDDOWNS - 2.54µm MINIMUM TIN OVER 1.27µm MINIMUM NICKEL.
- 3 RECOMMENDED PC BOARD THICKNESS OF 1.57.

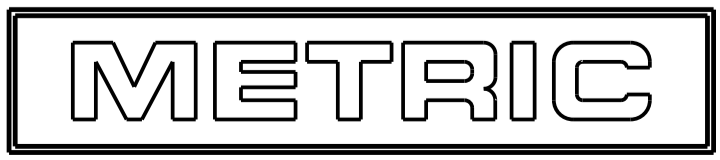


KEYING BY POSITION SIZE



PCB LAYOUT COMPONENT SIDE 3

19.25	9	16	16.41	4	2029030-4
16.25	6	13	13.41	3	2029030-3
13.25	3	10	10.41	2	2029030-2
DIM M	DIM Z	DIM W	DIM V	NO. OF POSN	PART NUMBER



THIS DRAWING IS A CONTROLLED DOCUMENT.

DWN	K. WHITAKER	27NOV2007
CHK	C. JONES	27NOV2007
APVD	C. JONES	27NOV2007

STE TE Connectivity

NAME: RT ANG SURF MNT HDR ASSY, SGL LATCH, TIN POSTS, SURF MOUNT HOLDDOWNS, SINGLE ROW, MICRO MATE-N-LOK(TM)

SIZE	A2	CAGE CODE	00779	DRAWING NO	C-2029030	RESTRICTED TO	-
------	----	-----------	-------	------------	-----------	---------------	---

CUSTOMER DRAWING SCALE 5:1 SHEET 1 OF 1 REV AI