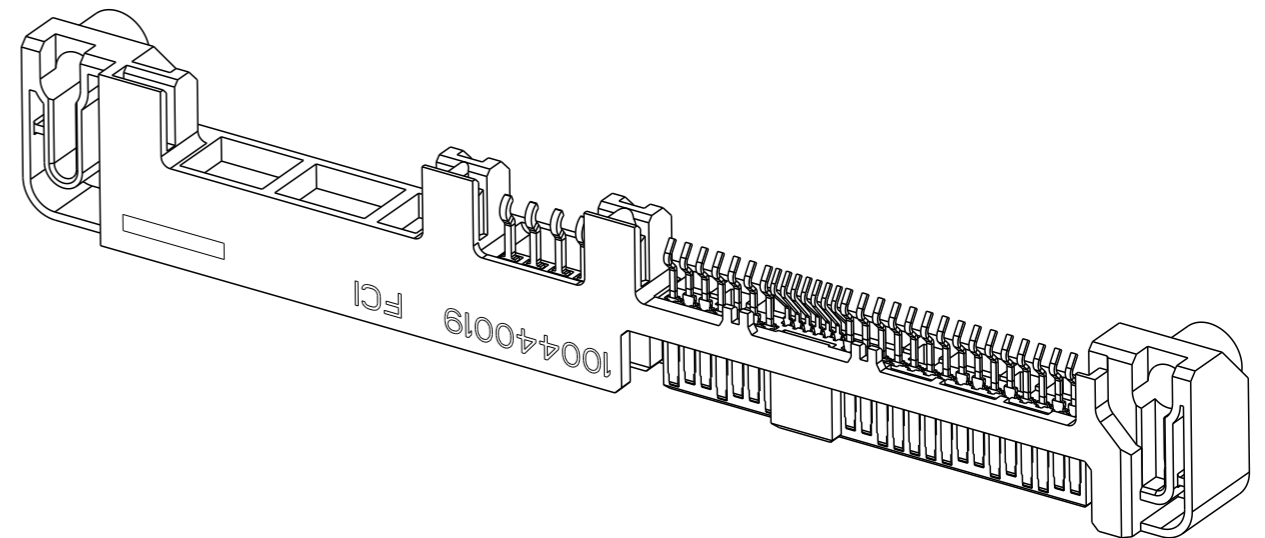
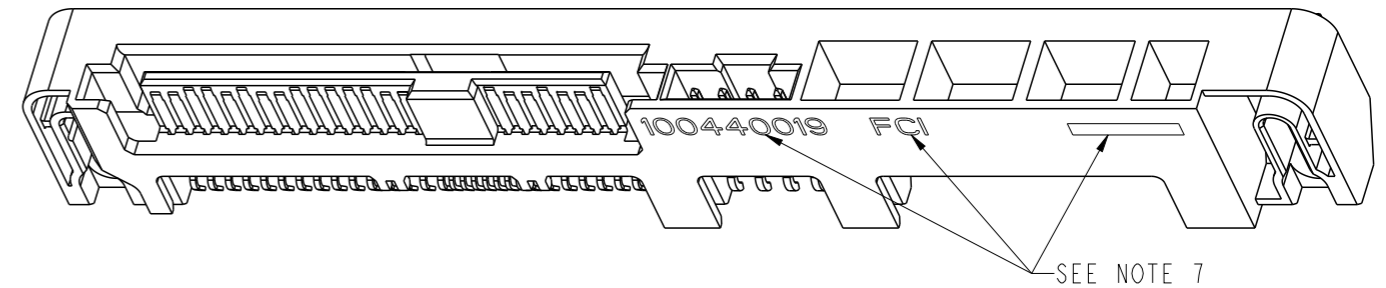
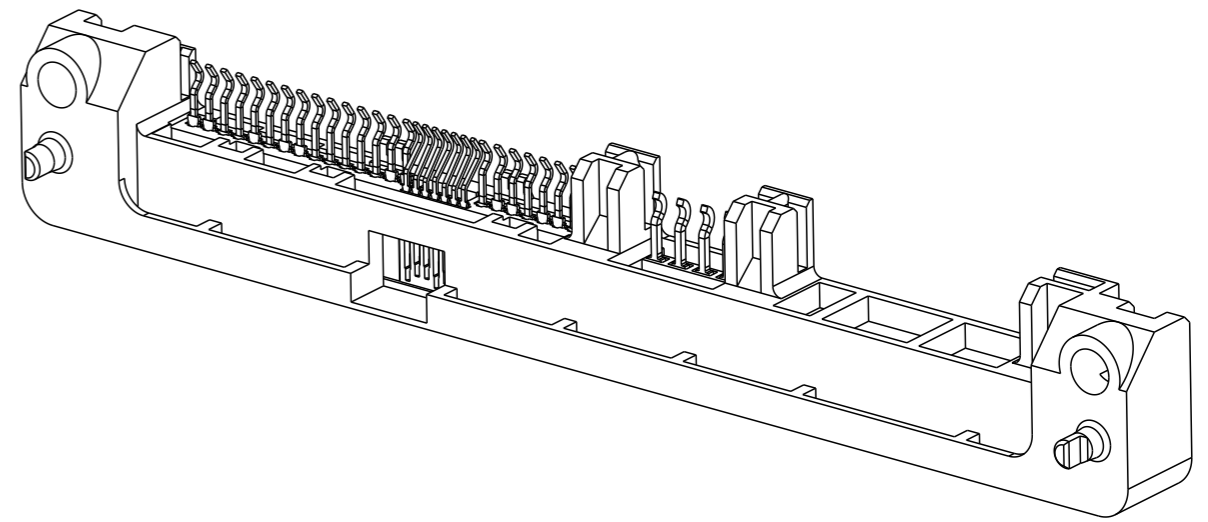



PRODUCT NO.
10064725-002LF

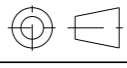




NOTES:

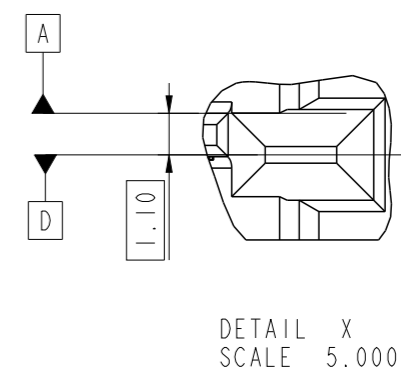
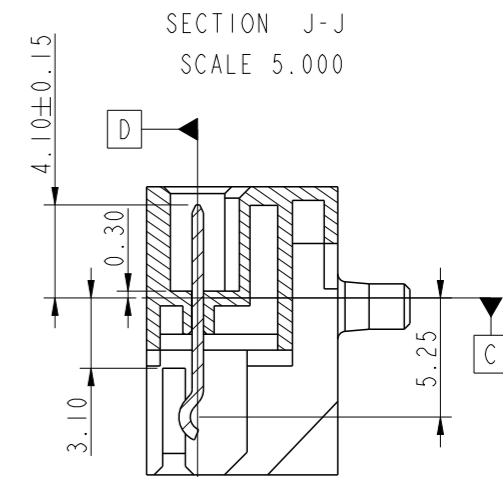
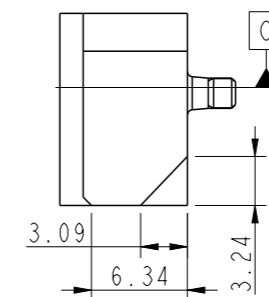
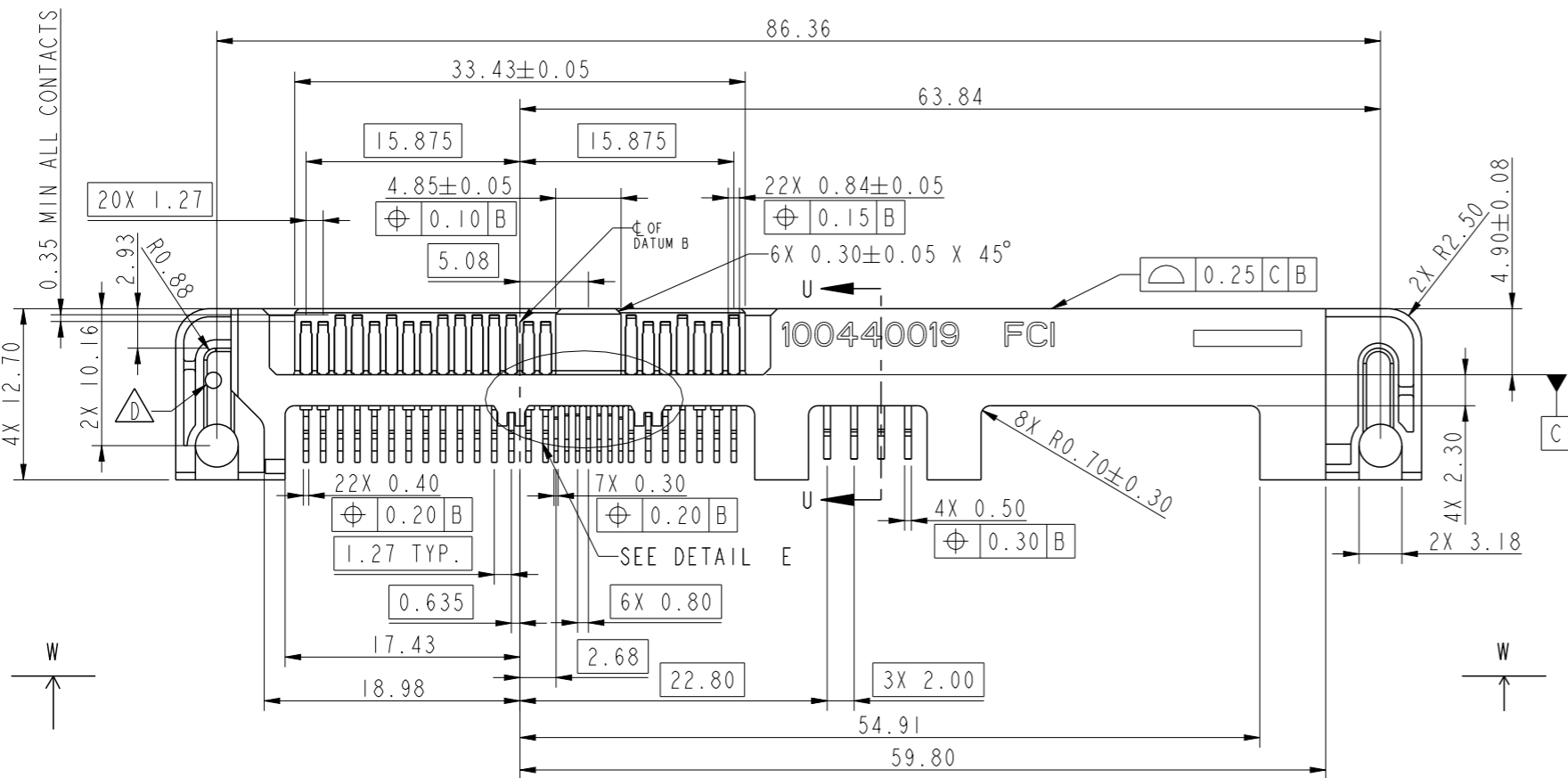
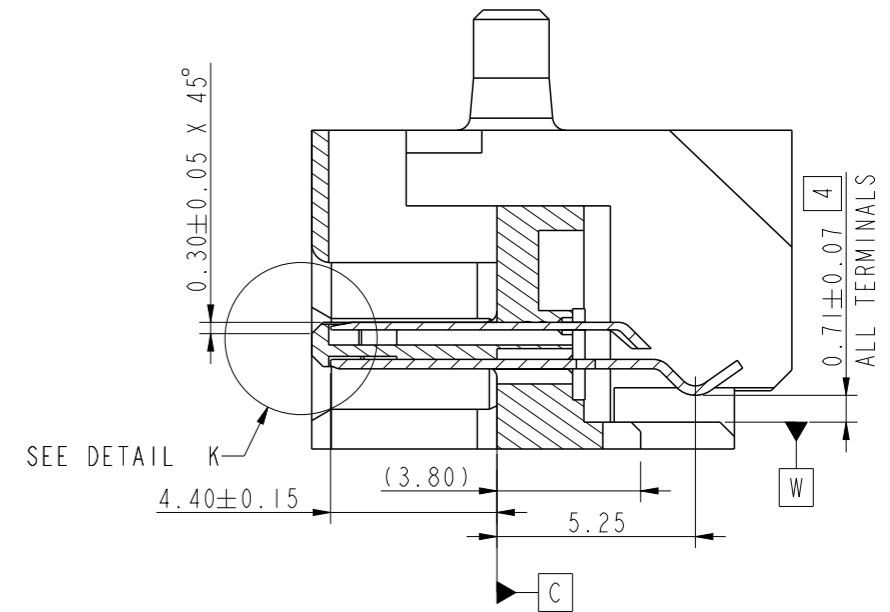
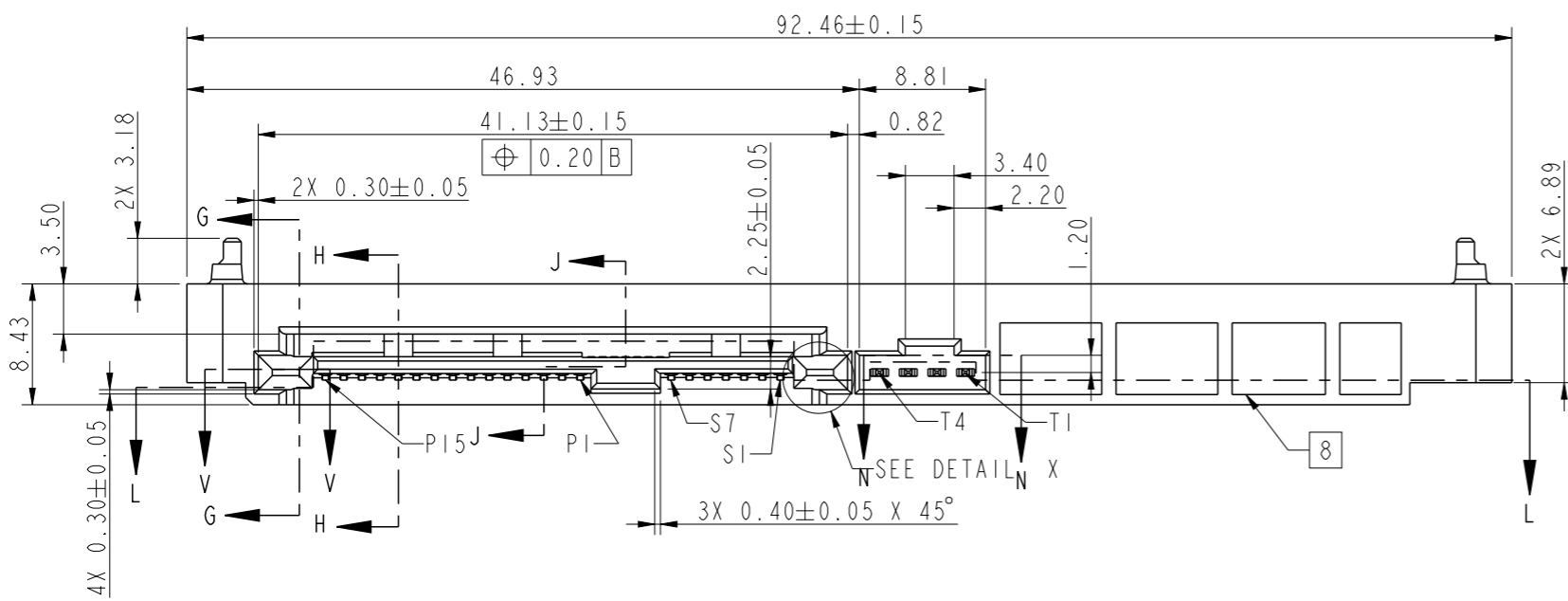
1. MATERIAL:
HOUSING: HIGH TEMPERATURE THERMOPLASTIC, UL94V-0, BLACK
CONTACT: PHOSPHOR BRONZE
2. PLATING:
SIGNAL CONTACT:
0.76um Min GOLD ON CONTACT AREA
1.91um Min 100% MATTE TIN (LEAD-FREE) ON SOLDER TAIL
1.27um Min 2.54um Max NICKEL UNDERPLATE OVERALL
2mm PITCH JUMPER PIN:
0.076um Min GOLD ON CONTACT AREA
1.91um Min 100% MATTE TIN (LEAD-FREE) OR 0.076um Min ~ 0.254um Max GOLD ON SOLDER TAIL
1.27um Min, 2.54um Max NICKEL UNDERPLATE OVERALL
3. CONTACT MUST BE ABOVE PLASTIC ALONG EFFECTIVE MATING AREA
4. APPLIES TO CONTACT SURFACES OF ALL SOLDER TAILS
5. THIS PRODUCT MEETS EUROPEAN UNION DIRECTIVES AND OTHER COUNTRY REGULATIONS AS DESCRIBED IN GS-22-008
6. THE HOUSING WILL WITHSTAND EXPOSURE TO 260°C PEAK TEMPERATURE FOR 10 SECONDS IN A CONVECTION, INFRA-RED OR VAPOR PHASE REFLOW OVEN
7. EACH CONNECTOR SHALL BE PERMANENTLY AND LEGIBLY MARKED WITH CUSTOMER PART NUMBER, VENDOR ID AND DATE CODE OF MANUFACTURE
8. CORING MUST BE APPROVED BY CUSTOMER ENGINEERING
9. DATUM **A** IS COINCIDENT WITH THE PLASTIC SURFACE COMPRISING THIS SIDE OF THE MATING TONGUE
10. PRODUCT SPECIFICATION: GS-12-282
11. PACKAGING SPECIFICATION: GS-14-870
12. A SYMBOL  WILL BE NEXT TO ANY DIMENSION, VIEW, OR NOTE WHICH HAS BEEN MODIFIED WITH THE CURRENT DRAWING REVISION



Copyright FCI.

spec ref		dr	Louis Ng	2010/04/29	projection	MM	size	A3	scale	2.000
tolerance std		eng	Jeffrey Lim	2011/07/28		← →	ecn no		ELX-S-004478-1	
ASME Y14.5 TOLERANCES UNLESS OTHERWISE SPECIFIED ASME Y14.5		chr	-	-			rel level		Released	
surface 	linear	0.X	±-		title	SAS PLUG ASSY	dwg no	10064725	rev	D
		0.XX	±0.10							
	0.XXX	±-								
	angular	0°	±2°	www.fci.com	cat. no.	Product - Customer Drw	sheet 1 of 4			

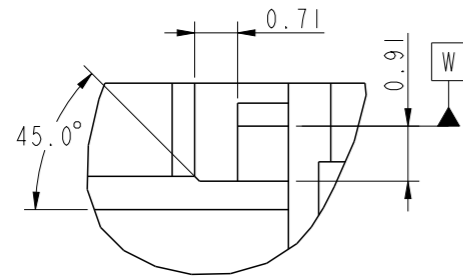
PRODUCT NO.
SEE TABLE



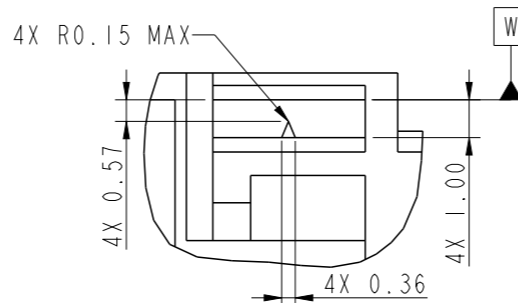
Copyright FCI.

spec ref		dr	Louis Ng	2010/04/29	projection	MM	size	A3	scale	2.000
tolerance std		eng	Jeffrey Lim	2011/07/28			ecn no	ELX-S-004478-1	rel level	Released
ASME Y14.5 ASME Y14.5		chr	-	-						
surface		linear	0.X	±-		title SAS PLUG ASSY	dwg no 10064725	rev D	www.fci.com	cat. no.
			0.XX	±0.10						
			0.XXX	±-						
		angular	0°	±2°					Product - Customer Drw	sheet 2 of 4

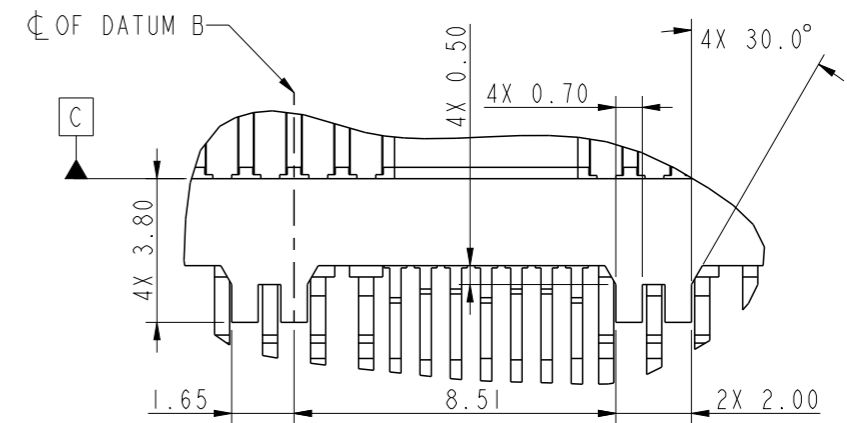
PRODUCT NO.
SEE TABLE



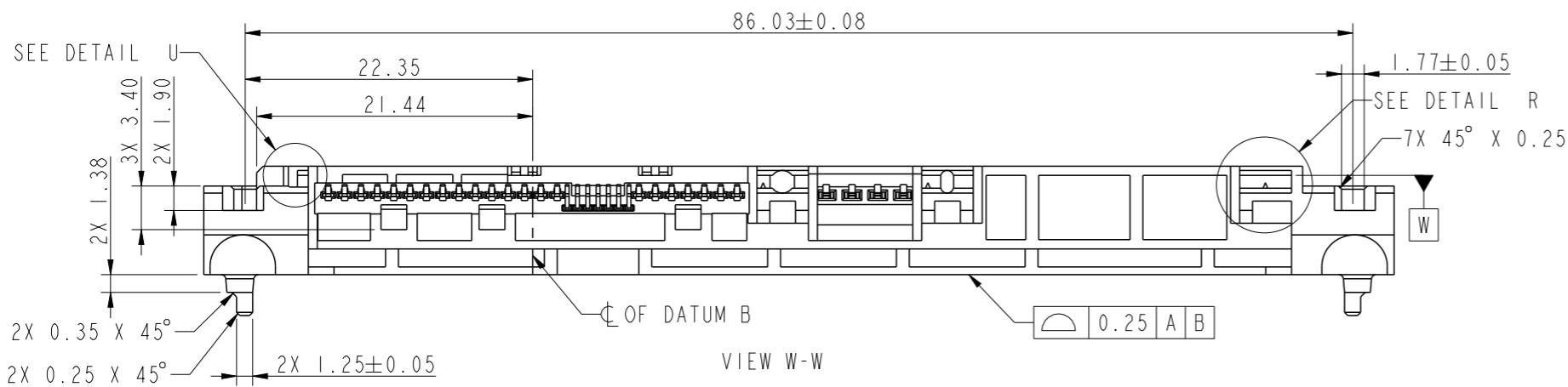
DETAIL U
SCALE 8.000



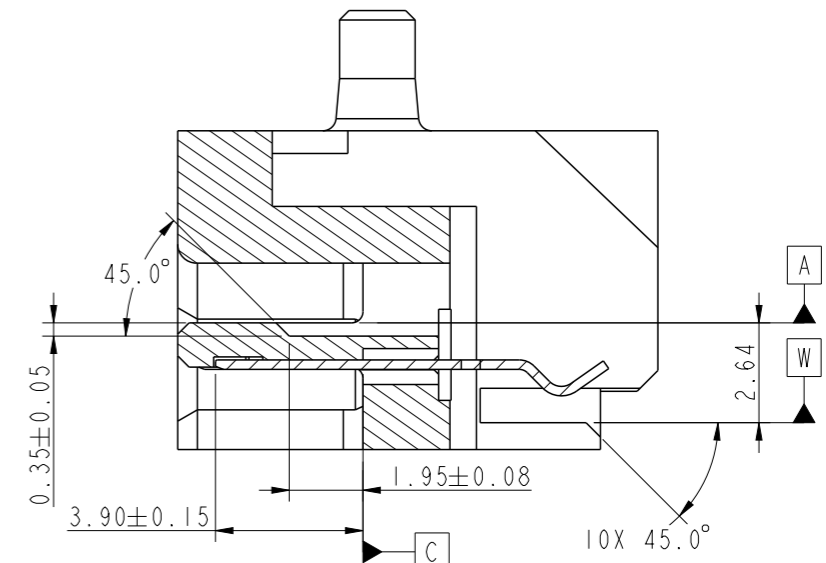
DETAIL R
SCALE 5.000



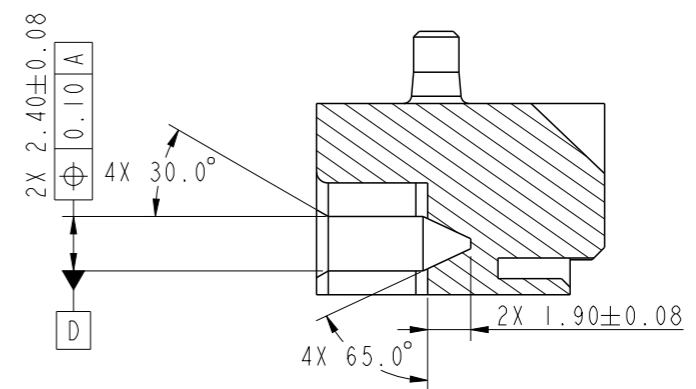
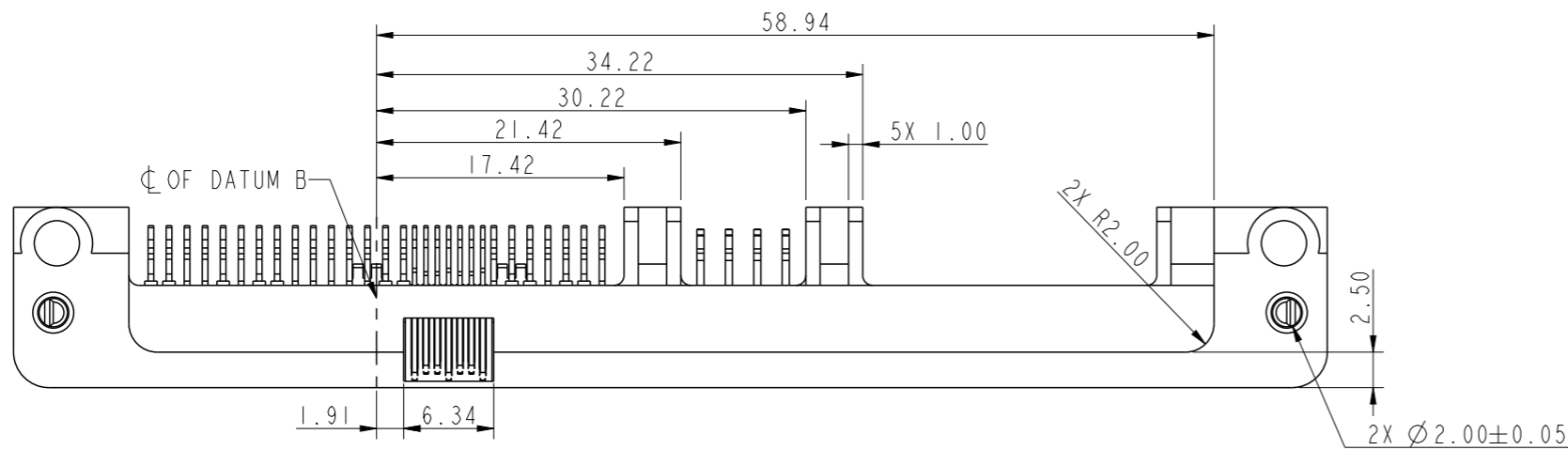
DETAIL E
SCALE 5.000



VIEW W-W



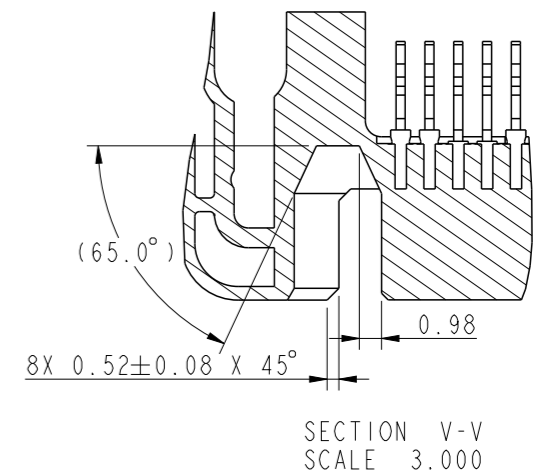
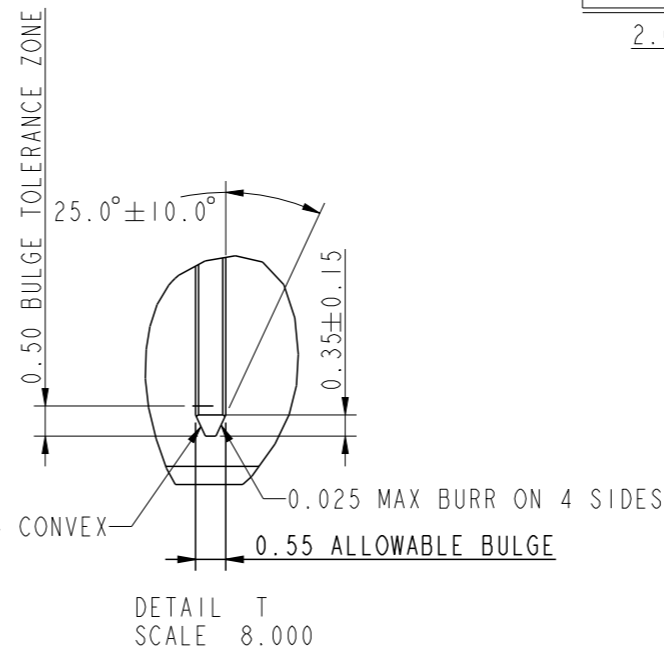
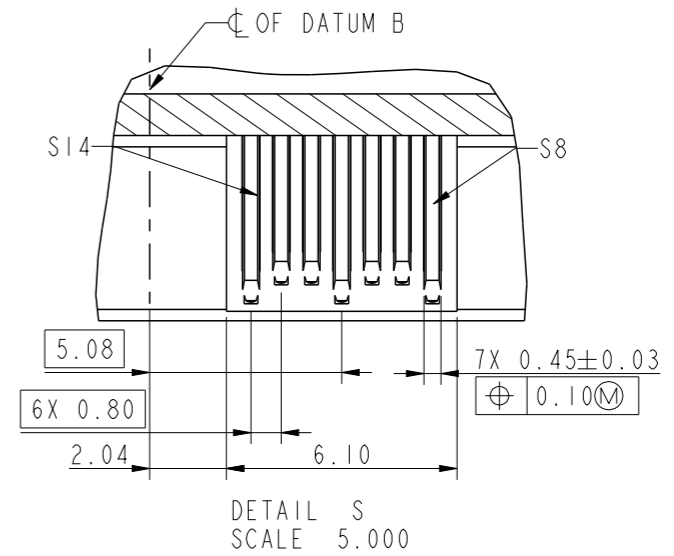
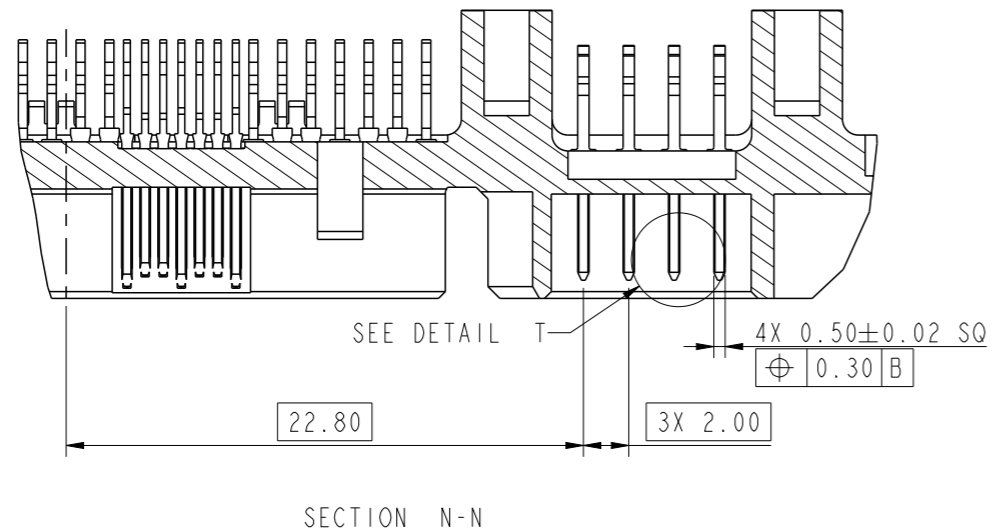
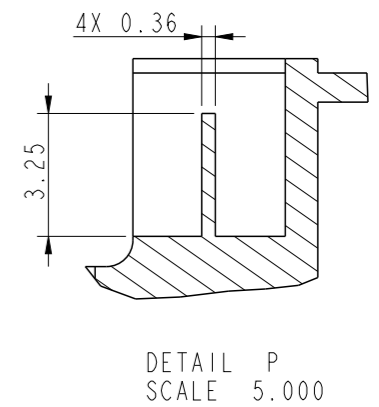
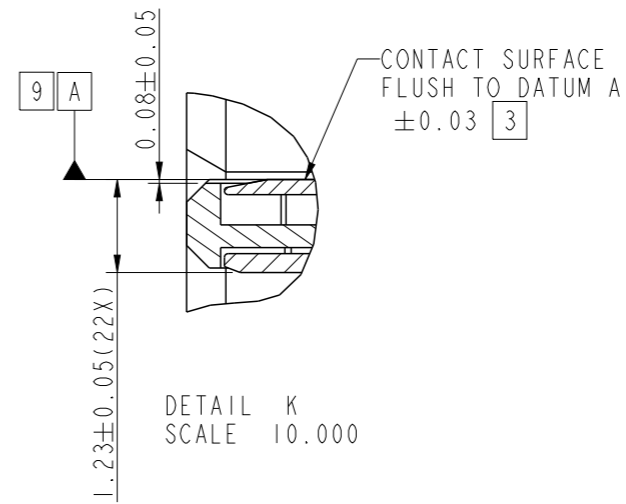
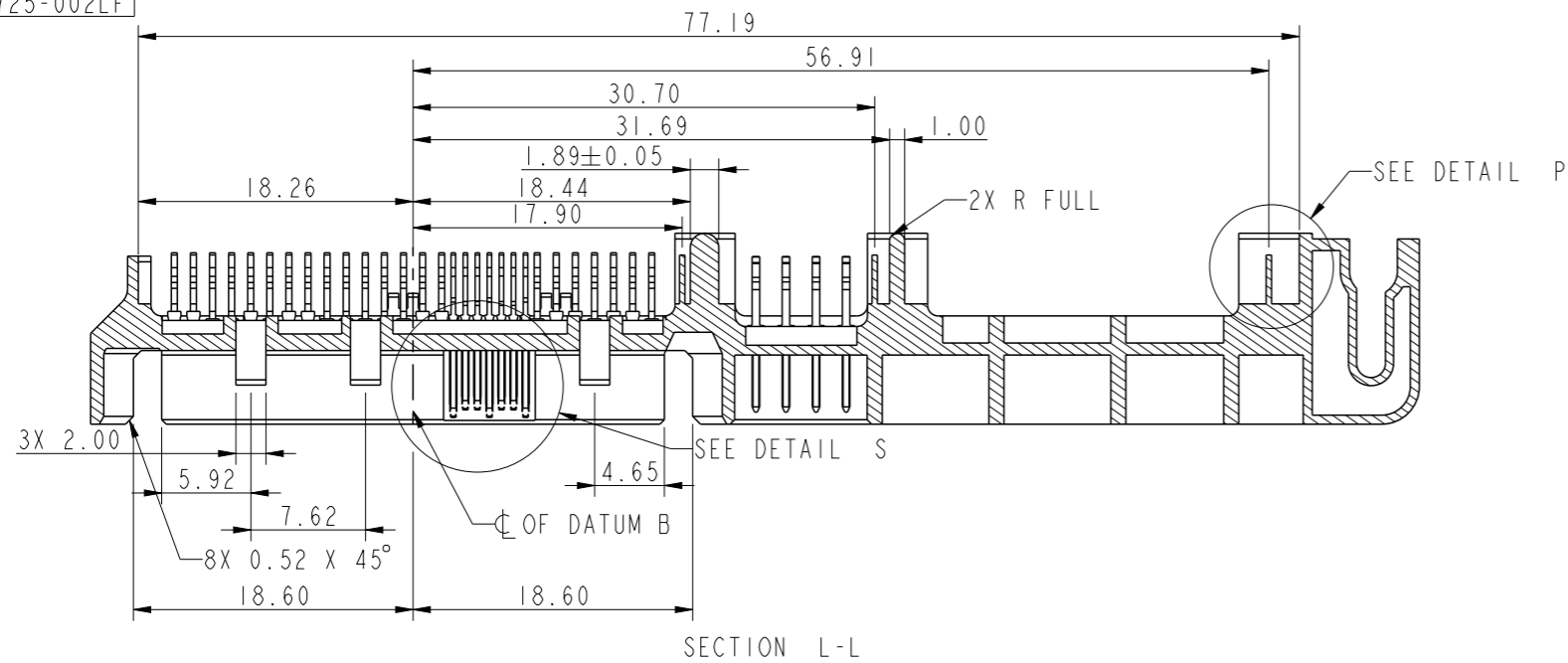
SECTION H-H
SCALE 5.000



SECTION G-G
SCALE 3.000

spec ref	dr	Louis Ng	2010/04/29	projection	MM	size	A3	scale	2.000
tolerance std	eng	Jeffrey Lim	2011/07/28			ecn no	ELX-S-004478-1	rel level	Released
ASME Y14.5	chr	-	-						
ASME Y14.5	appr	Joey Ng	2011/07/29	product family					
surface	linear	0.X	±-		title SAS PLUG ASSY	dwg no 10064725	rev D	Product - Customer Drw	
		0.XX	±0.10						
	angular	0°	±2°						
www.fci.com		cat. no.		Product - Customer Drw		sheet 3 of 4			

PRODUCT NUMBER
10064725-002LF



spec ref	dr	Louis Ng	2010/04/29	projection	MM	size	A3	scale	2.000
tolerance std	eng	Jeffrey Lim	2011/07/28			ecn no	ELX-S-004478-1	rel level	Released
ASME Y14.5 ASME Y14.5	chr	-	-						
surface ✓ linear angular	0.X	±-		title SAS PLUG ASSY		dwg no 10064725	rev D	Product - Customer Drw sheet 4 of 4	
	0.XX	±0.10							
	0.XXX	±-							
	0°	±2°	www.fci.com	cat. no.					