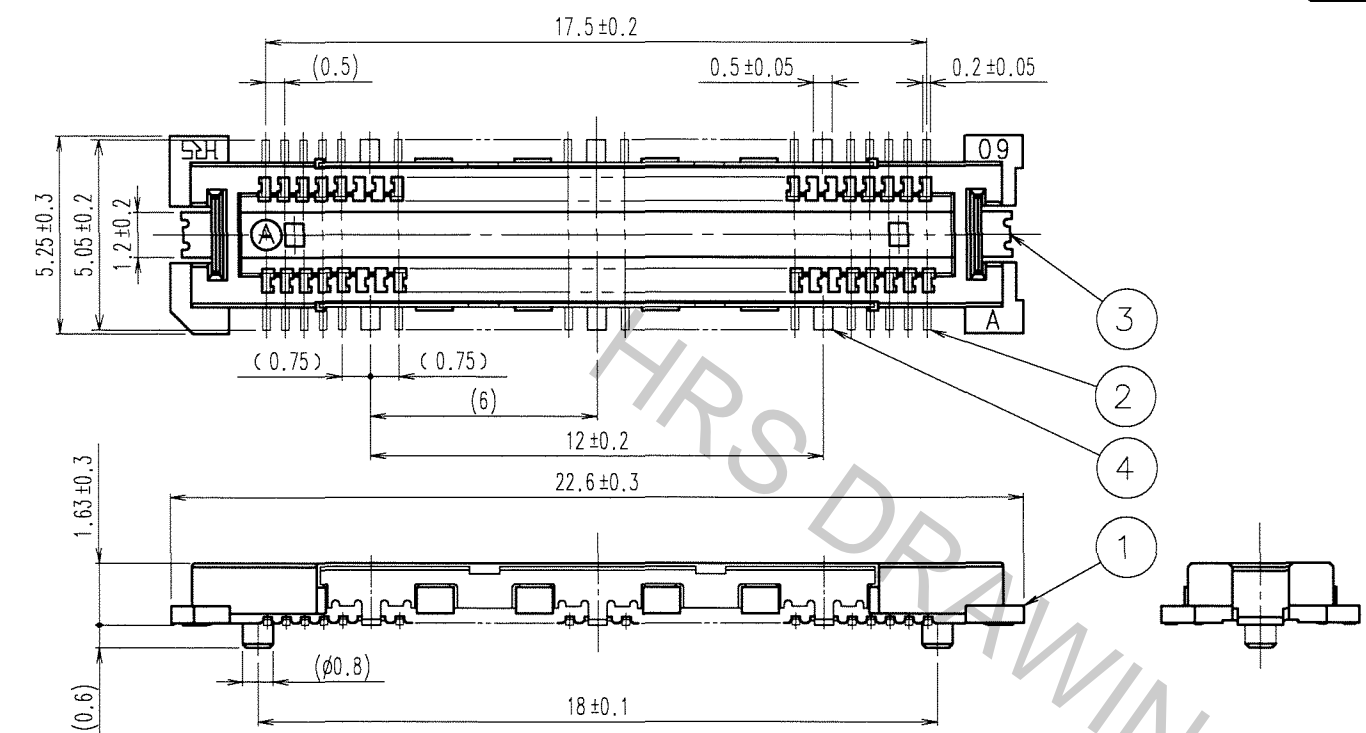
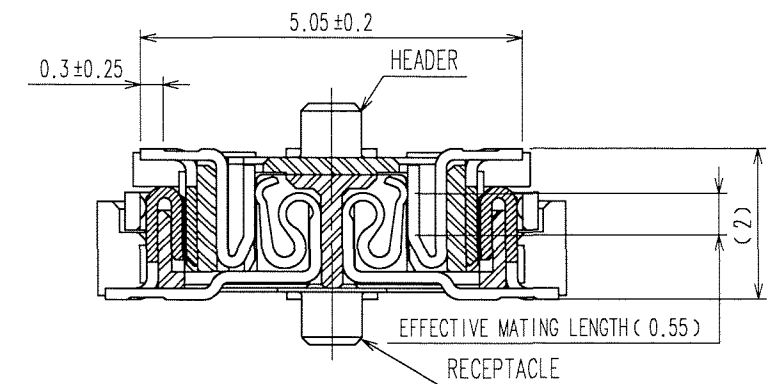


Apr.1.2017 Copyright 2017 HIROSE ELECTRIC CO., LTD. All Rights Reserved.

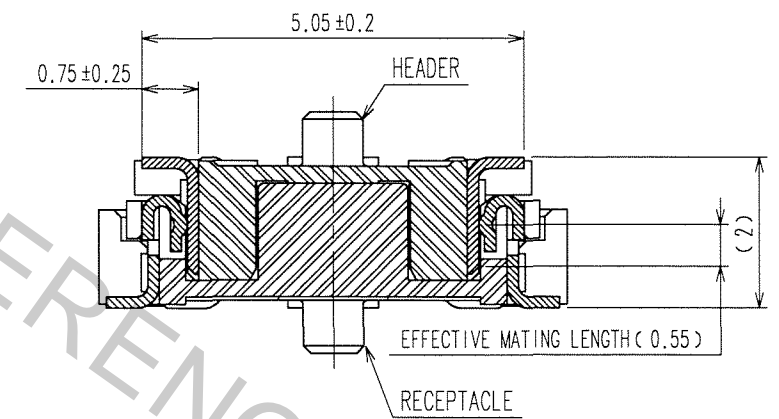
COUNT	DESCRIPTION OF REVISIONS	BY	CHKD	DATE	COUNT	DESCRIPTION OF REVISIONS	BY	CHKD	DATE
△				..	△				..
△				..	△				..
△				..	△				..



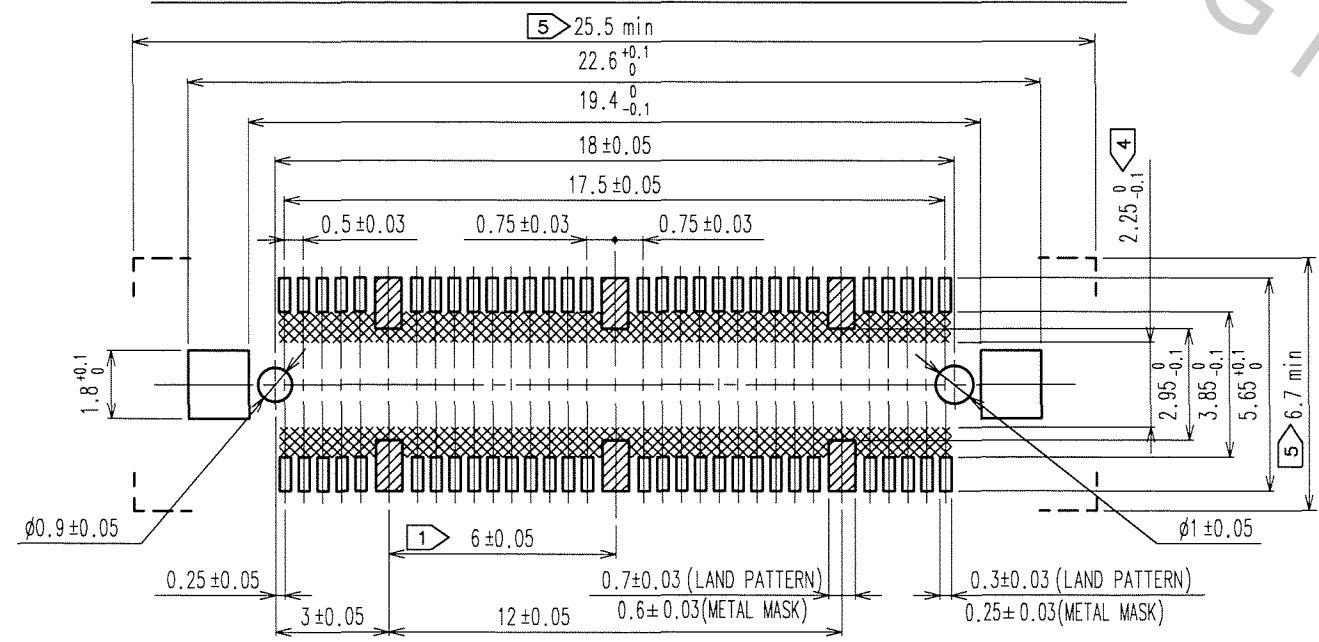
SIGNAL PORTION CROSS SECTION (10:1)



GROUND PORTION CROSS SECTION (10:1)



RECOMMENDED LAND PATTERN DIMENSION OF PCB



- NOTES
- ① 6 HATCHED PARTS:GROUND CIRCUIT.
 - ② SMT LEAD-COPLANARITY:0.1 MAX.
 - ③ THIS PRODUCT HAS NO POLARITY TO PATTERN FOR MOUNTING.
 - ④ MAKE SURE WIDTH OF PATTERN IS WITHIN THAT OF LAND ,OR LEAD MAY TOUCH PATTERN.(THIS APPLIES TO HATCHED AREA.)
 - ⑤ DO NOT MOUNT OTHER DEVICES ONTO AREA ,OR MATING PAIR CANNOT BE MATED.
 - ⑥ THE DIMENSIONS IN PARENTHESES ARE FOR REFERENCE.

TO
PCK

4	PHOSPHOR BRONZE	TIN-PLATING							
3	PHOSPHOR BRONZE	TIN-PLATING		2	COPPER ALLOY				CONTACT AREA:GOLD 0.1 μm min. LEAD AREA:GOLD FLASH UNDER PLATING:NICKEL 1μm min.
1	LCP	BEIGE UL94V-0							
NO.	MATERIAL	FINISH, REMARKS	NO.	MATERIAL	FINISH, REMARKS				
CODE NO. (OLD) CL			DRAWN	DESIGNED	CHECKED	APPROVED	RELEASED		
			A.SUZUKAWA	<i>Nakamura</i>	<i>X.Ozawa</i>	<i>H.Okawa</i>			
			06.09.25	06.09.25	06.09.26	06.09.26			
DRAWING NO. EDC3-152092-25			PART NO. FX11LA-60P/6-SV(71)						
SCALE 5:1			CODE NO. CL573-0002-7-71						
UNITS mm			HRS HIROSE ELECTRIC CO.,LTD.						