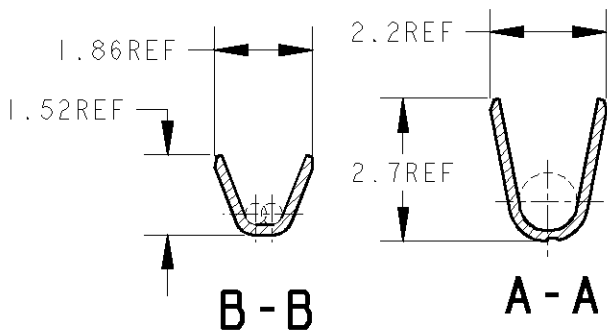
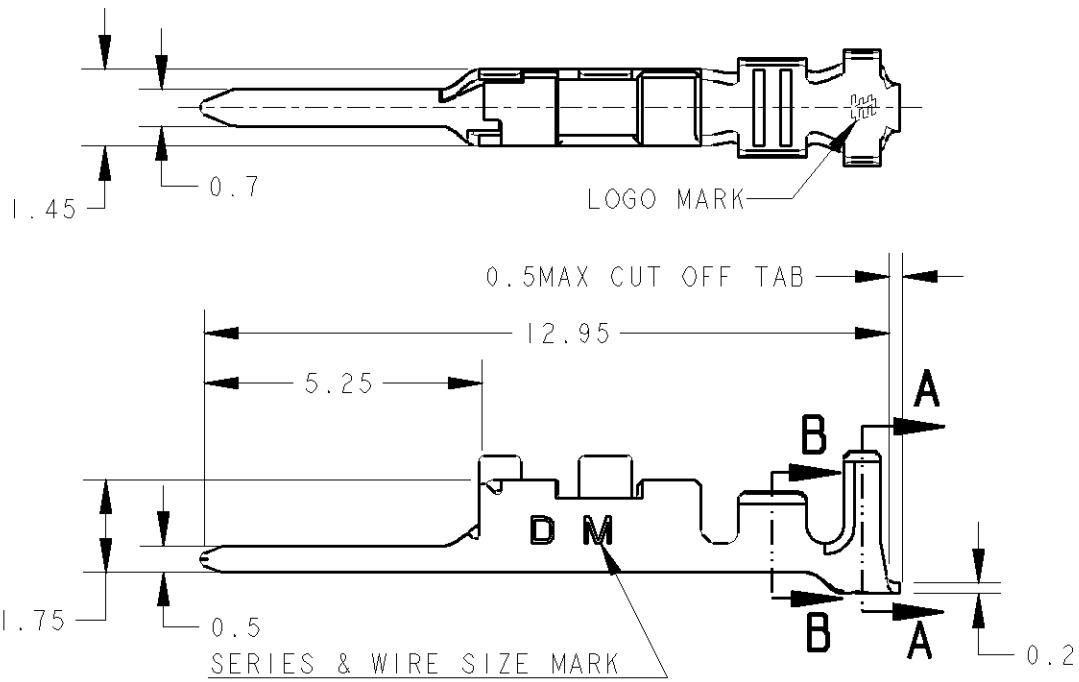


LOC J	DIST	REVISIONS 変更					
		P	LTR	DESCRIPTION	DATE	DWN	APVD
			B	REVISED PER ECR-10-010439	07JUN2010	HMR	T.M



1. THE SHAPE, SIZE AND POSITION OF THE CHARACTER SHOW THE OUTLINE. THEY DON'T SHOW DETAILS.

1. 文字の形状、大きさ、および位置については、大略を示すものであり、詳細を示すものではありません。

AS SHOWN: 1903124-1

△ PRE-TIN COPPER ALLOY (錫めっき青銅合金)	1903124-1
MATERIAL (材料)	PART NO (型番)

WIRE RANGE 総合電線断面積 mm ²	AWG#28~#22 0.08~0.38	INSULATION DIA 被覆外径 φ1.08~φ1.6
--	-------------------------	--------------------------------------

DIMENSIONS: 単位: 耗 mm	DWN M. MAEBASHI 26APR2006
TOLERANCES UNLESS OTHERWISE SPECIFIED: 一般公差 ±0.3, ±3°	CHK T. KUDO 26APR2006
0 PLC ±	APVD D. MITSUGI 26APR2006
1 PLC ±	PRODUCT SPEC 製品規格 108-78298
2 PLC ±	APPLICATION SPEC 取付適用規格 114-5377
3 PLC ±	WEIGHT 0.075 g
4 PLC ±	CUSTOMER DRAWING
ANGLES ±	

MATERIAL 材料	△	FINISH 仕上
----------------	---	--------------



Tyco Electronics Corporation
Kawasaki, Japan

NAME 名称	DYNAMIC D1000 SERIES TAB CONTACT TIN-PLATE, M-TYPE L/P		
------------	---	--	--

SIZE	CAGE CODE	DRAWING NO 番号	RESTRICTED TO
A4	00779	C-1903124	

SCALE 尺度	7:1	SHEET 張	1	OF OF	1	REV REV	B
-------------	-----	------------	---	----------	---	------------	---

2006

RELEASED FOR PUBLICATION

THIS DRAWING IS UNPUBLISHED.

BY TYCO ELECTRONICS CORPORATION. ALL INTERNATIONAL RIGHTS RESERVED.
COPYRIGHT 2006