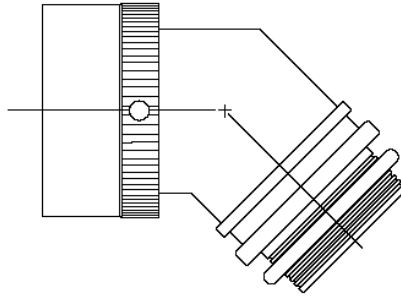


THIS DRAWING AND THE INFORMATION SET FORTH HERE-ON ARE THE PROPERTY OF TYCO ELECTRONICS AND ARE TO BE HELD IN TRUST AND CONFIDENCE. PUBLICATION, DUPLICATION, DISCLOSURE, OR USE FOR ANY PURPOSE NOT EXPRESSLY AUTHORIZED IN WRITING BY TYCO ELECTRONICS IS PROHIBITED.	REVISIONS			
	LTR	DESCRIPTION	DATE	APPROVED
	1	REVISED PER ECO-13-013899	08/19/13	NSWATKO




CODE 31
TINEL-LOCK ADAPTER

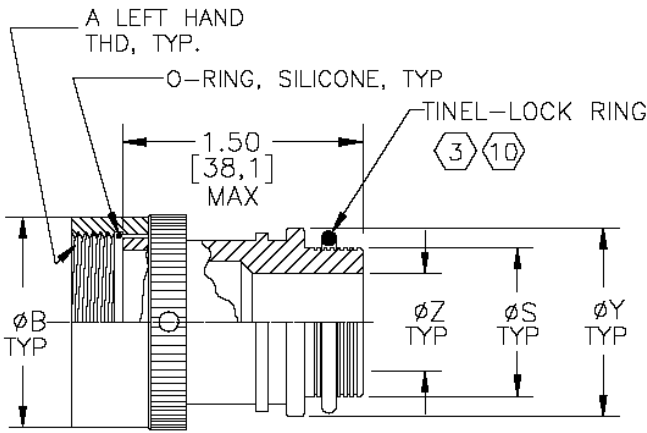
NOTES:

1. ALL DIMENSIONS ARE IN INCHES [MILLIMETERS].
2. SEE CH00-0250-008 FOR ORDERING INFORMATION, MODIFICATIONS, AND ADDITIONAL DIMENSIONS FOR MODIFICATIONS. MODIFICATIONS INDICATED BY TXR__M OR ANY OF THE FOLLOWING LETTERS AT THE END OF PART NUMBER H J L P T S N OR V.
3. SEE DRAWING 925078 FOR DETAIL ON TINEL-LOCK RING. THE TINEL RING IS AVAILABLE IN TWO TYPES. RINGS DESIGNED TO BE HEATED ELECTRICALLY HAVE A THIN DIELECTRIC LINING ON THE INSIDE DIAMETER. RINGS TO BE INSTALLED WITH A HOT AIR GUN HAVE NO LINING. ALL RINGS ARE MARKED WITH THERMOCROMIC PAINT WHICH CHANGES COLOR WHEN INSTALLATION TEMPERATURE IS REACHED.
4. TEMPERATURE RANGE FOR ALUMINIUM ALLOY: -65° C TO +150° C
5. ADAPTER TO BE PERMANENTLY MARKED WITH ASSEMBLY PN LESS RING DESIGNATOR (E.G.: TXR31AB00-1204) AND CODE IDENT. NO. (06090).
6. CONSULT FACTORY FOR OPTIONAL ENTRIES, MATERIALS, MODIFICATIONS, FINISHES AND BRAID DESIGNATORS.
7. ALL INTERNAL EDGES SHALL BE ROUNDED
8. FOR LARGER ENTRY SIZES. A 2 PIECE ADAPTER (TYPE II) IS SUPPLIED
9. THIS PRODUCT IS DESIGNED TO TERMINATE A BRAIDED CABLE SHIELD AND A HEAT SHRINKABLE LIPPED BOOT TO A CONNECTOR.
10. RINGS SHALL BEAR NO MARKING
11. ADAPTER MATES TO BENDIX OWL AND CANNON CWL SERIES CONNECTORS.
12. ANTI-ROTATION SET SCREW PROVIDED.

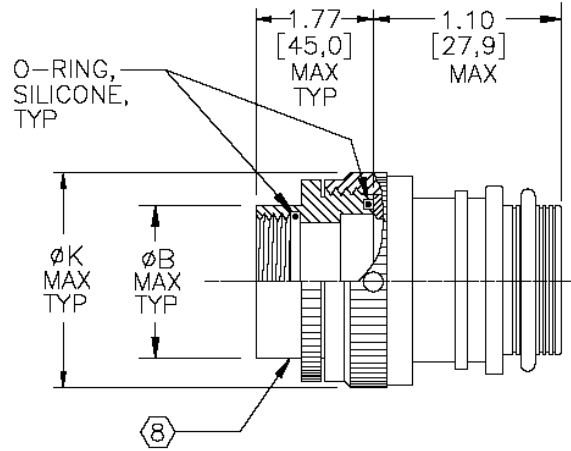
© 2013 Tyco electronics corporation. All rights reserved

Raychem Adapters
CUSTOMER DRAWING

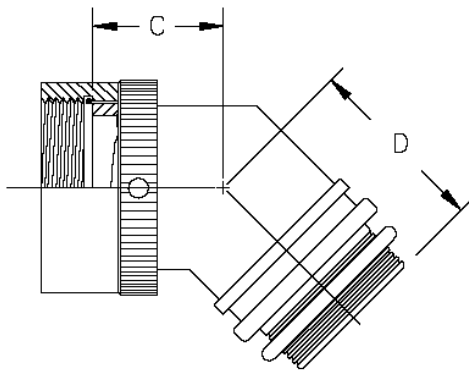
UNLESS OTHERWISE SPECIFIED DIMENSIONS ARE IN INCHES AND TOLERANCES ARE: .XXX ± .005 [0,13]mm .XX ± .01 [0,25]mm .X ± 0.1 [0,50]mm ANGLES .X ± 1 DEG.	DRAWN KARTHIK M	DATE 08-19-2013			TE Connectivity	
	CHECKED NICK S	DATE 08-19-2013				
MATERIAL -	APPROVED -	DATE -	TITLE TINEL-LOCK™ ADAPTER			
	CAD NAME TXR31 CD	SIZE A	CAGE CODE: 06090	DWG. NO. TXR31	REV 1	
FINISH -	RPN: -	SCALE: NONE	SHEET 1 OF 3			



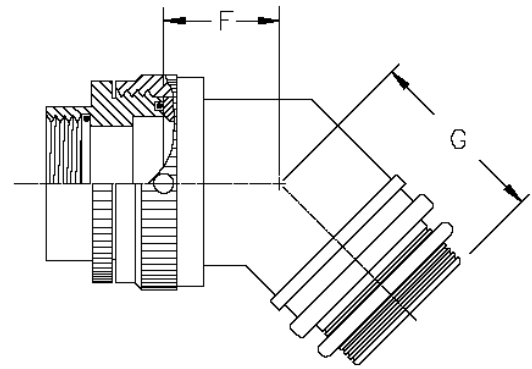
STRAIGHT ADAPTER-TYPE I



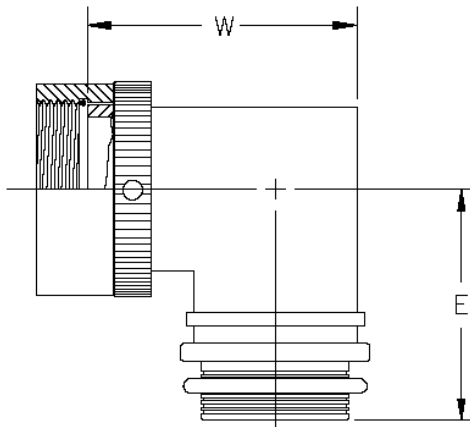
STRAIGHT ADAPTER-TYPE II



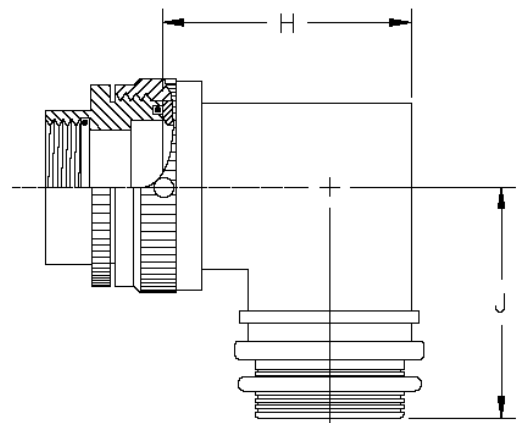
45° ADAPTER-TYPE I



45° ADAPTER-TYPE II



90° ADAPTER-TYPE I



90° ADAPTER-TYPE II

Raychem Adapters
CUSTOMER DRAWING

SIZE A	CAGE CODE: 06090	DWG. NO. TXR31	REV 1
SCALE: NONE		SHEET 2 OF 3	

ORDER NO.	SHELL SIZE (11)	MAX ENTRY SIZE TYPE 1 (8)	A LEFT HAND THD CLASS 2B	B DIA MAX	C MAX	D MAX	E MAX	W MAX
10	10	04	.500-28 UNEF	.82 (20,8)	1.12 (28,4)	.98 (24,9)	1.26 (32,0)	
12	12 & 13	06	.625-24 UNEF	.95 (24,1)	1.13 (28,7)	.99 (25,1)	1.29 (32,8)	1.81 (46,0)
14	14 & 15	08	.750-20 UNEF	1.07 (27,2)	1.14 (29,0)	1.00 (25,4)	1.32 (33,5)	1.94 (49,3)
16	16 & 17	10	.875-20 UNEF	1.19 (30,2)	1.17 (29,7)	1.02 (25,9)	1.39 (35,3)	2.06 (52,3)
18	18	12	1.000-20 UNEF	1.32 (33,5)	1.18 (30,0)	1.03 (26,2)	1.46 (37,1)	2.19 (55,6)
20	20	14	1.125-18 UNEF	1.44 (36,6)	1.21 (30,7)	1.06 (26,9)	1.52 (38,6)	2.36 (60,0)
22	22	16	1.250-18 UNEF	1.57 (39,9)	1.23 (31,2)	1.09 (27,7)	1.58 (40,1)	2.74 (69,6)
24	24	18	1.375-18 UNEF	1.69 (42,9)	1.26 (32,0)	1.11 (28,2)	1.64 (41,7)	2.99 (76,0)
28	28	22	1.625-18 UNEF	2.07 (52,6)	1.32 (33,5)	1.18 (30,0)	1.83 (46,5)	3.11 (79,0)
32	32	24	1.875-16 UN	2.32 (58,9)	1.37 (34,8)	1.23 (31,2)	1.96 (49,8)	3.11 (79,0)
36	36	24	2.062-16 UNS	2.57 (65,3)	1.43 (36,3)	1.28 (32,5)	2.08 (52,8)	3.11 (79,0)
40	40	24	2.312-16 UNS	2.82 (71,6)	1.46 (37,0)	1.33 (33,8)	2.21 (56,1)	3.11 (79,0)
44	44	24	2.625-16 UN	3.07 (78,0)	1.53 (38,9)	1.39 (35,3)	2.32 (58,9)	3.36 (85,4)
48	48	24	2.875-16 UN	3.39 (86,1)	1.59 (40,4)	1.45 (36,8)	2.51 (63,8)	

ENTRY SIZE	Z +.010 -.020	S DIA	Y ±.015 ±.381	F MAX	G MAX	J MAX	H MAX	K MAX
04	.250 (6,35)	.376 (9,56) .370 (9,39)	.550 (13,97)	N/A	N/A	N/A	N/A	N/A
05	.312 (7,92)	.438 (11,13) .432 (10,97)	.612 (15,54)	.77 (19,6)	.93 (23,6)	1.16 (29,5)	1.19 (30,2)	.80 (20,3)
06	.375 (9,52)	.501 (12,73) .495 (12,57)	.675 (17,14)	.77 (19,6)	.93 (23,6)	1.16 (29,5)	1.19 (30,2)	.80 (20,3)
07	.437 (11,09)	.563 (14,31) .556 (14,12)	.737 (18,71)	.80 (20,3)	.95 (24,1)	1.22 (31,0)	1.38 (35,1)	.92 (23,4)
08	.500 (12,70)	.626 (15,91) .619 (15,72)	.800 (20,32)	.80 (20,3)	.95 (24,1)	1.22 (31,0)	1.38 (35,1)	.92 (23,4)
10	.625 (15,87)	.752 (19,11) .742 (18,84)	.925 (23,49)	.84 (21,3)	1.00 (25,4)	1.35 (34,3)	1.51 (38,4)	1.18 (30,0)
12	.750 (19,05)	.877 (22,28) .867 (22,02)	1.050 (26,67)	.86 (21,8)	1.01 (25,7)	1.40 (35,6)	1.63 (41,4)	1.35 (34,3)
14	.875 (22,23)	1.002 (25,46) .991 (25,17)	1.175 (29,84)	.88 (22,4)	1.04 (26,4)	1.46 (37,1)	1.78 (45,2)	1.41 (35,8)
16	1.000 (25,40)	1.127 (28,63) 1.116 (28,34)	1.300 (33,02)	.91 (23,1)	1.06 (26,9)	1.53 (38,9)	1.88 (47,8)	1.60 (40,6)
18	1.125 (28,57)	1.252 (31,81) 1.241 (31,52)	1.425 (36,19)	.93 (23,6)	1.09 (27,7)	1.59 (40,4)	2.01 (51,1)	1.66 (42,2)
20	1.250 (31,75)	1.377 (34,98) 1.366 (34,69)	1.550 (39,37)	.98 (24,9)	1.13 (28,7)	1.78 (45,2)	2.13 (54,1)	2.04 (51,8)
22	1.375 (34,93)	1.502 (38,15) 1.488 (37,79)	1.675 (42,55)	1.03 (26,2)	1.38 (35,1)	1.85 (47,0)	2.29 (58,2)	2.23 (56,6)
24	1.500 (38,10)	1.627 (41,33) 1.613 (40,97)	1.800 (45,72)	1.08 (27,4)	1.44 (36,6)	1.92 (48,8)	2.42 (61,5)	2.23 (56,6)

If this document is printed it becomes uncontrolled. Check for the latest revision

Raychem Adapters
CUSTOMER DRAWING

SIZE A	CAGE CODE: 06090	DWG. NO. TXR31	REV 1
SCALE: NONE		SHEET 3 OF 3	