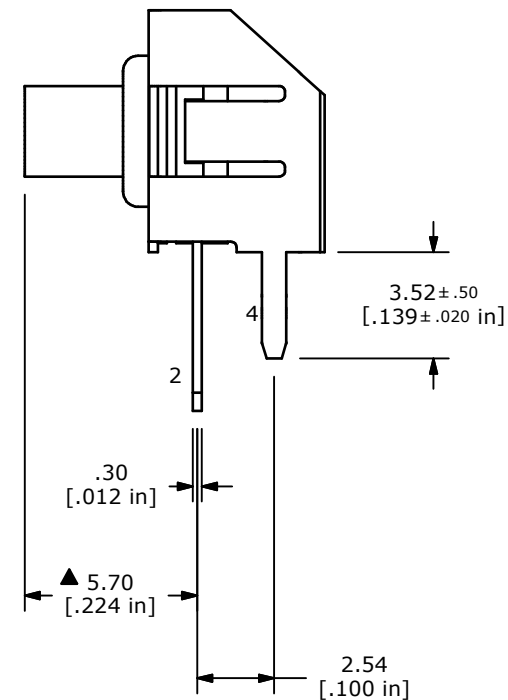
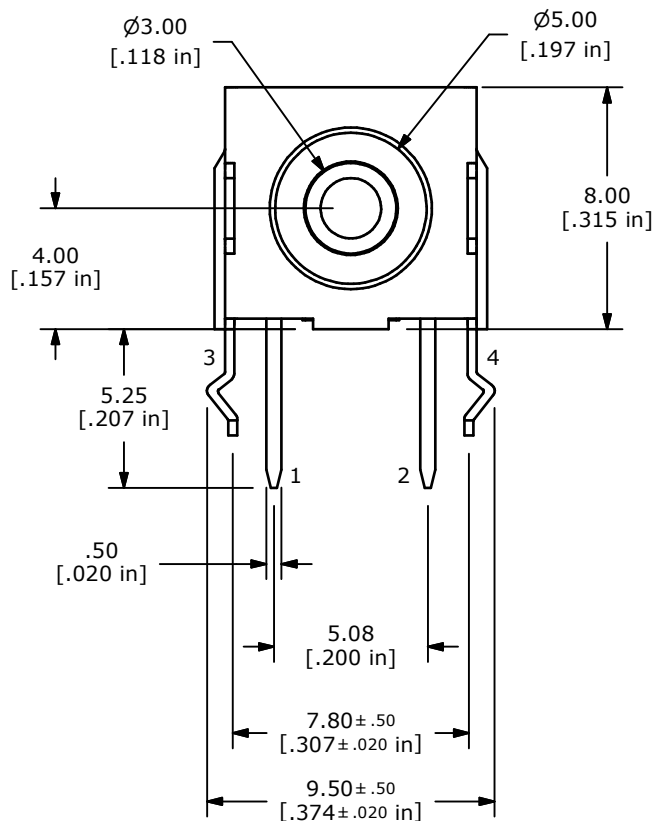


▲ SCHEMATIC



NOTES

1. ALL DIMENSIONS IN MM [INCH]
2. GENERAL TOLERANCE: X.X=±0.4
X.XX=±0.25
3. TERMINAL NUMBERS FOR REF. ONLY.
- ▲ 4. OPERATING FORCE: 300±50gf
5. OPERATING LIFE: 500,000 CYCLES
6. TRAVEL: 0.5±0.15mm
7. CONTACT RATING: 12VDC @ 50mA
8. CONTACT RESISTANCE: 100m Ω MAX
9. INSULATION RESISTANCE: 100M Ω MIN @ 100VDC.
- ▲ 10. CONTACT MATERIAL: SILVER
11. OPERATING TEMPERATURE: -40°C TO 85°C
12. PACKAGING: TUBE 52 PCS. PER TUBE
13. ▲ DENOTES CRITICAL PARAMETER
14. 2002/95/EC (ROHS) COMPLIANT



B	21552	UPDATE DRAWING	8/19/14	EBP
A	21167	New Release	6/18/13	rc
REV	PCR NO	DESCRIPTION	DATE	BY

TITLE TL6110CF300QP				
SCALE	DATE 6/18/2013	DR rc	DWG T351014	REV B

THE INFORMATION CONTAINED IN THIS DOCUMENT IS PROPRIETARY TO E-SWITCH AND IS NOT TO BE COPIED OR TRANSFERRED