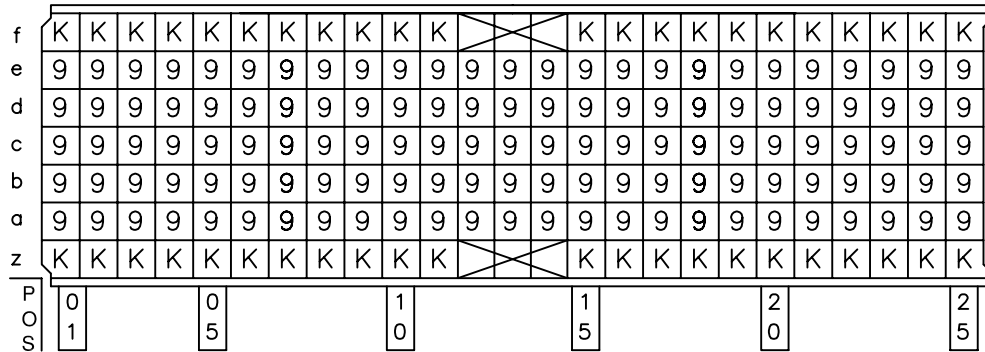
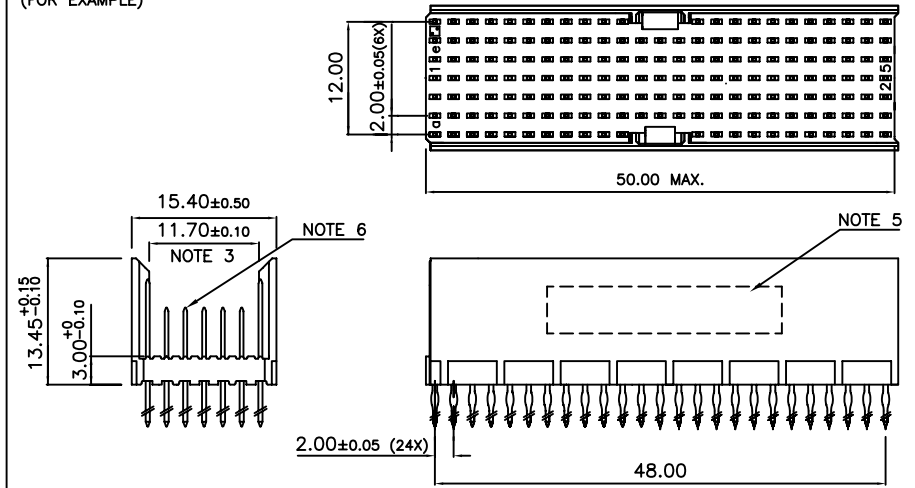


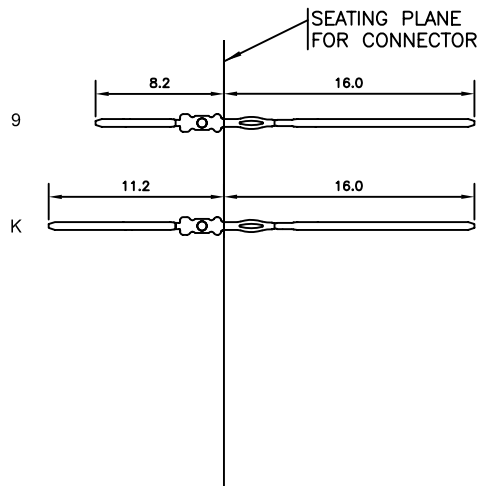
LOADING PATTERN MATING SIDE



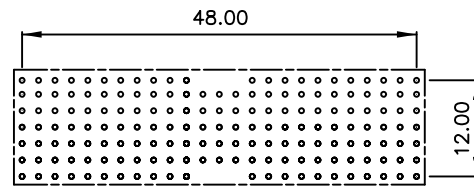
LOADED CONNECTOR ASSEMBLY
(FOR EXAMPLE)



CONTACT OVERVIEW



LAY-OUT P.C.B.-HOLE



HM2P65PN5114 LEAD FREE INDICATOR : LF = LEAD FREE (DIGIT 15 & 16)

PLATING CODE (DIGIT 13 AND 14)
(REF DRW NO. BS, C , 201844 , 003)

NOTES

1. THIS PRODUCT IS CSA APPROVED.
 2. THIS PRODUCT IS UL RECOGNIZED.
 3. MEASURED AT THE BOTTOM.
 4. MATERIAL CONTACT: PHOSPHORBRONZE
HOUSING: CREAM WHITE GLASS FILLED POLYESTER UL-94V0
 5. CONNECTOR PRINTED WITH P/N AND DATE CODE.
 6. FOR ACTUAL CONTACT LOADINGS, SEE LOADING PATTERN MATING SIDE.
 7. SHAPE OF CONNECTOR HOUSING CAN ALTER DEPENDING ON PRODUCTION LOCATION
 8. THE PRODUCT (LF) MEETS EUROPEAN UNION DIRECTIVES AND OTHER COUNTRY REGULATIONS AS DESCRIBED IN GS-22-008
 9. FOR RECOMMENDED PTH DIMENSIONS REFER DRAWING : BS, A , 201572 , 001
- CATALOG NO: HM2P65PN5114----

mat'l. code		surface		tolerance	projection	product family	
SEE NOTE 4		ISO 1302		ISO 406 ISO 1101	⊕	MILLIPACS	
ltr	ecn no	dr	date	tolerances unless otherwise specified		title	
A	110-0102	AB	2010-04-23	angles	linear	MPACS 5+2R STR HDR PF CONN TYPE AB	
				0°±1°		MM	
						scale -	
		dr	ALEX BABU	2010-04-23	FCI		
		enr	ALEX BABU	2010-04-23	dwg no		
		chr	ALEX BABU	2010-04-23	sheet 1 of 1 size		
		appd	ALEX BABU	2010-04-23	BS, C , 203028, 910 A3		
sheet index		revision	A		type Product Customer Drawing		
	sheet	1					