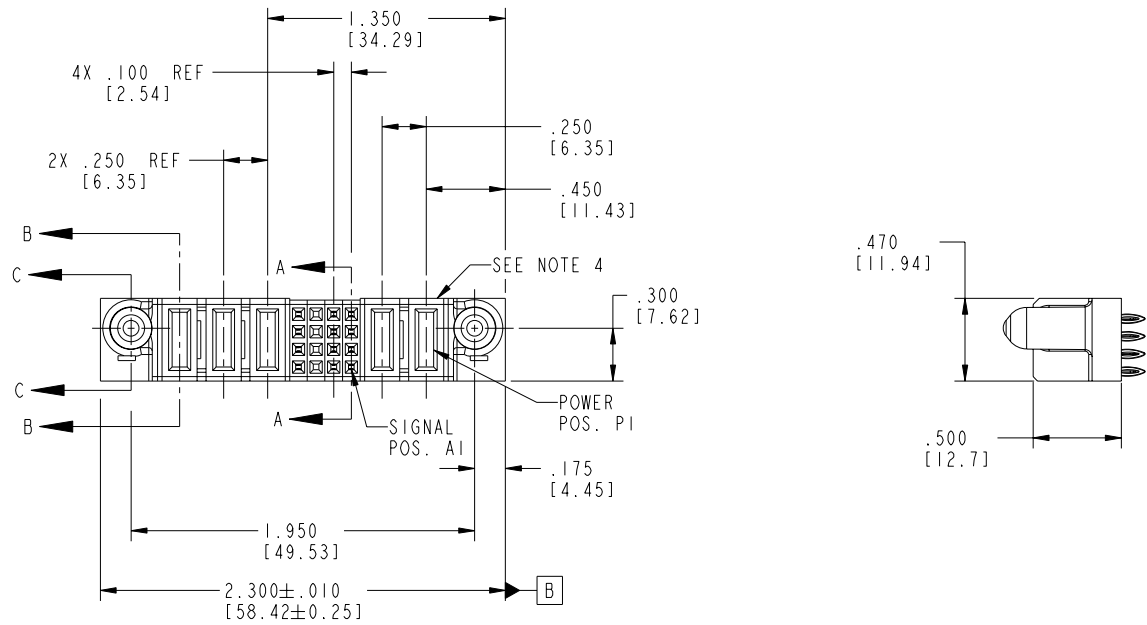


Tous droits strictement réservés. Reproduction ou communication à des tiers interdite sous quelque forme que ce soit sans autorisation écrite du propriétaire. Propriété de c FCI. Droits de reproduction FCI.

All rights strictly reserved. Reproduction or issue to third parties in any form whatever is not permitted without written authority from the proprietor. Property of FCI. Copyright FCI.

PRODUCT NO.	ROWS	POWER			SIGNAL			POWER		
		E2	P5	P4	4	3	2	P2	P1	E1
51750-071-- NOTE 3	D C B A									
		PC	PC	PC	F	F	F	PF	PF	
					F	F	F			



CODE	DIM "M" MATING LENGTH	CONTACT TYPE
PC	.042 [1.07]	POWER
PF	.092 [2.34]	POWER
F	N/A [N/A]	SIGNAL
X	OMITTED	OMITTED

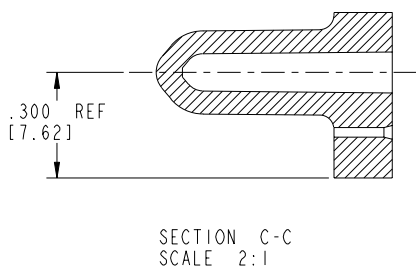
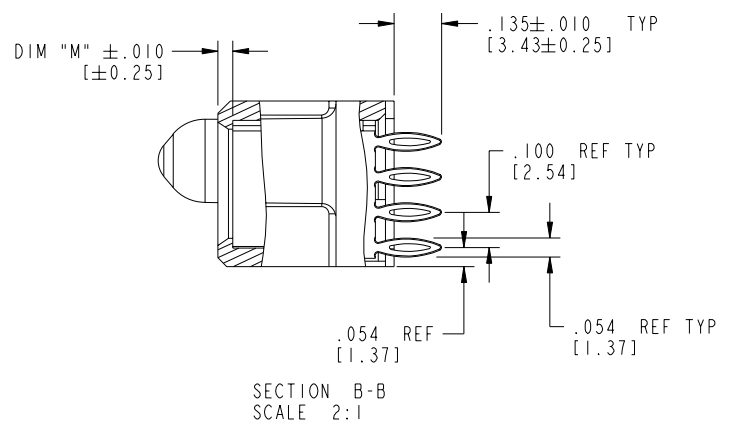
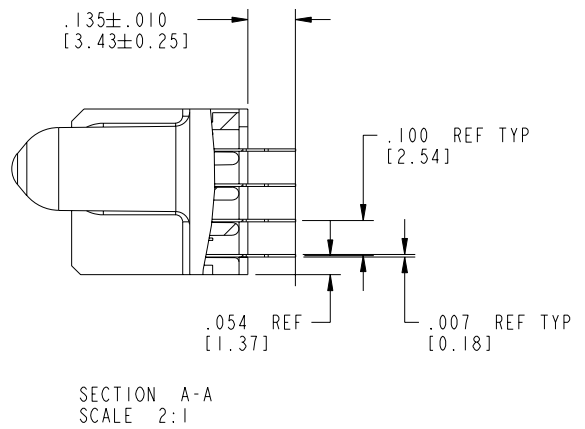
mat'l code				SEE NOTE 2		tolerances unless otherwise specified		CUSTOMER		 www.fciconnect.com	
ltr	ecn no.	dr	date	linear		.XX±.01/0.X±0.3		COPY		title	
A	DG05-0378	CS	09/10/05			.XXX±.005/0.XX±0.13		projection		2P + 16S + 3P	
				angles		.XXX±.0020/0.XX±0.051				VERTICAL PRESS-FIT RECEPT	
				dr	CS	09/10/05		INCH/MM		product family	
				enr	STEVEN WANG	09/10/05		scale		PwrBlade	
				chr	VICTOR LIN	09/10/05		1:1		code	
				appd	JOSEPH HSIA	09/10/05				213	
sheet index	revision sheet	A	A	A	A	A	A			sheet	
		1	2	3	4					1 of 4	

cage code 22526 4

Tous droits strictement réservés. Reproduction ou communication à des tiers interdite sous quelque forme que ce soit sans autorisation écrite du propriétaire. Propriété de c FCI. Droits de reproduction FCI.

All rights strictly reserved. Reproduction or issue to third parties in any form whatever is not permitted without written authority from the proprietor. Property of FCI. Copyright FCI.

PRODUCT NUMBER
51750-071
NOTE ③



mat'l code		SEE NOTE 2		tolerances unless otherwise specified		CUSTOMER		 www.fciconnect.com	
ltr	ecn no.	dr	date	linear	.XX±.01/0.XX±0.3	COPY		projection	title
A				angles	.XXX±.005/0.XX±0.13	INCH/MM			2P + 16S + 3P VERTICAL PRESS-FIT RECEP
				dr	.XXXX±.0020/0.XXX±0.051	scale		product family	code
				enr	0° ± 2°	1:1		PwrBlade	213
				chr				size	dwg no
				appd				A	51750-071
sheet index	revision sheet								sheet 2 of 4

cage code 22526

Pro/E

PDM: Rev:A

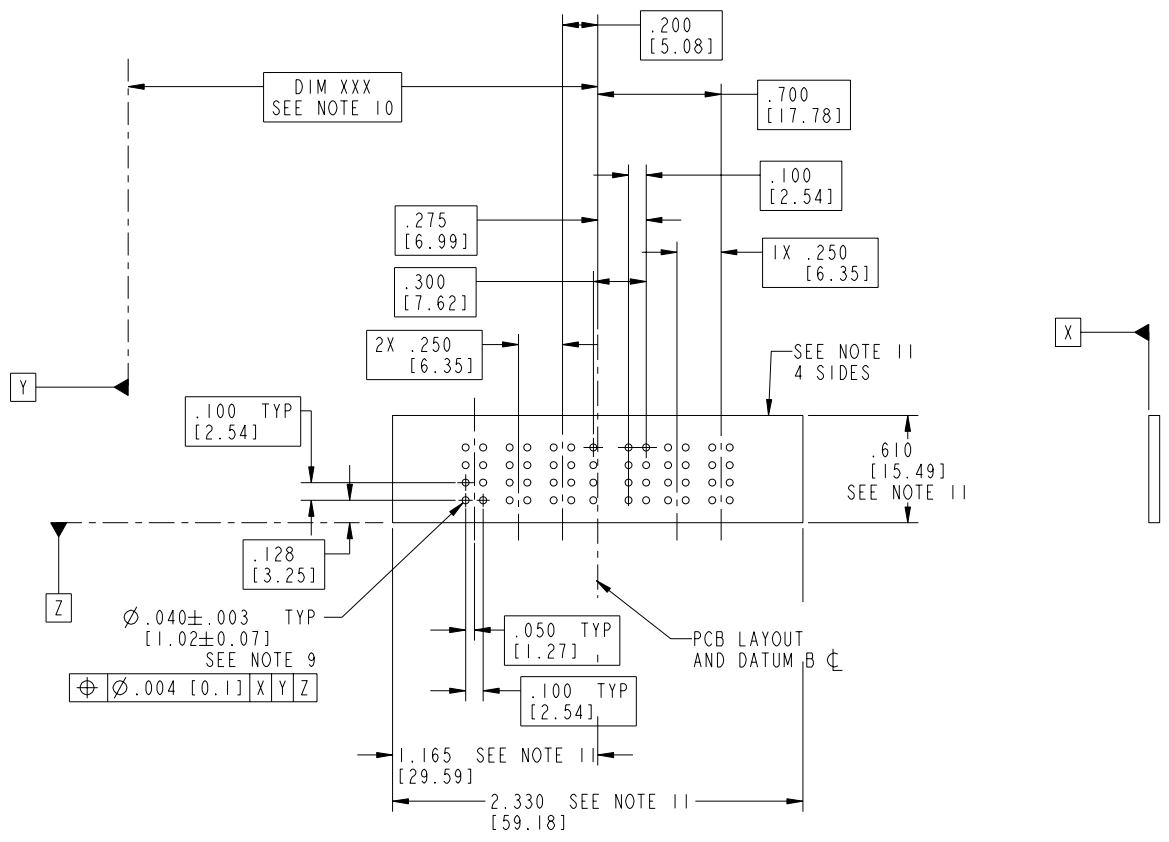
STATUS: Released

Printed: Dec 20, 2010

Tous droits strictement réservés. Reproduction ou communication a des tiers interdite sous quelque forme que ce soit sans autorisation écrite du propriétaire. Propriété de c FCI. Droits de reproduction FCI.

All rights strictly reserved. Reproduction or issue to third parties in any form whatever is not permitted without written authority from the proprietor. Property of FCI. Copyright FCI.

PRODUCT NUMBER
51750-071
NOTE ③



$\varnothing .040 \pm .003$ TYP [1.02 ± 0.07] SEE NOTE 9	X	Y	Z
$\varnothing .004$ [0.1]	X	Y	Z

mat'l code		SEE NOTE 2		tolerances unless otherwise specified		CUSTOMER		 www.fciconnect.com	
ltr	ecn no.	dr	date	linear	.XX±.01/0.X±0.3	projection	COPY	title	2P + 16S + 3P
A				linear	.XXX±.005/0.XX±0.13	projection		VERTICAL PRESS-FIT RECEPT	
				angles	.XXX±.0020/0.XXX±0.051	projection		product family	PwrBlade
				dr	0° ± 2°	scale	INCH/MM	size	code
				enr	CS 09/10/05	scale	1:1	dwg no	213
				chr	STEVEN WANG 09/10/05			sheet	3 of 4
				appd	VICTOR LIN 09/10/05			sheet	3 of 4
					JOSEPH HSIA 09/10/05			sheet	3 of 4
sheet index	revision sheet								

cage code 22526 4

Tous droits strictement réservés. Reproduction ou communication à des tiers interdite sous quelque forme que ce soit sans autorisation écrite du propriétaire. Propriété de c FCI. Droits de reproduction FCI.

All rights strictly reserved. Reproduction or issue to third parties in any form whatever is not permitted without written authority from the proprietor. Property of FCI. Copyright FCI.

PRODUCT NUMBER
51750-071
NOTE ③

NOTES:

1. DIMENSIONS AND TOLERANCES ARE IN ACCORDANCE WITH ASME Y14.5M, 1994 UNLESS OTHERWISE SPECIFIED.

CONNECTOR NOTES:

② HOUSING MATERIAL: UL 94 V-0 GLASS FILLED
HIGH-TEMP THERMOPLASTIC
POWER CONTACT MATERIAL: COPPER ALLOY
SIGNAL PIN MATERIAL: COPPER ALLOY

3. PLATING:
51750-071 Singal Pin: 30u"/0.76um Au OVER 50u"/1.27um Ni ON CONTACT AREA.
AND 100u"/2.54um SnPb PLATING OVER 50u"/1.27um Ni ON THE TERMINATION SECTION.
Power Pin: 30u"/0.76um Au OVER 50u"/1.27um Ni ON THE CONTACT AREA,
AND 100u"/2.54um SnPb PLATING OVER 50u"/1.27um Ni ON THE TERMINATION SECTION.

51750-071LF Singal Pin: 30u"/0.76um Au OVER 50u"/1.27um Ni ON CONTACT AREA.
AND 78u"/2.00um Sn PLATING OVER 50u"/1.27um Ni ON THE TERMINATION SECTION.
Power Pin: 30u"/0.76um Au OVER 50u"/1.27um Ni ON THE CONTACT AREA,
AND 78u"/2.00um Sn PLATING OVER 50u"/1.27um Ni ON THE TERMINATION SECTION.

PART NUMBER 51750-071LF MEETS EUROPEAN UNION DIRECTIVE AND OTHER COUNTRY REGULATIONS AS DESCRIBED IN GS-22-008.

THE HOUSING WILL WITHSTAND EXPOSURE TO 260° PEAK TEMPERATURE FOR 10 SECONDS IN A WAVE SOLDER APPLICATION WITH A CIRCUIT BOARD

④ MANUFACTURER'S NAME, P/N, AND DATE CODE TO APPEAR ON THIS SURFACE.

5. PRODUCT SPECIFICATION GS-12-149.
APPLICATION SPECIFICATION BUS-20-067.

6. PACKAGED IN TRAYS.

PCB NOTES:

7. ALL HOLE DIAMETERS ARE FINISHED HOLE SIZE.

⑧ MOUNTING HOLES, WHERE APPLICABLE, ARE UNPLATED.

⑨ $\varnothing .0453 \pm .0010$ [1.151 ± 0.025] DRILLED HOLES PLATED WITH
.0003 [0.008] MIN SnPb OVER .001 [0.03]
TO .003 [0.08] Cu PLATING TO ACHIEVE
 $\varnothing .040 \pm .003$ [1.02 ± .07] HOLE.

⑩ "DIM XXX" TO BE DETERMINED BY THE CUSTOMER.

⑪ CONNECTOR KEEP-OUT ZONE.

mat'l code		SEE NOTE 2		tolerances unless otherwise specified		CUSTOMER		A FCI		www.fciconnect.com	
ltr	ecn no.	dr	date	linear	.XX±.01/0.X±0.3	COPY		projection	title 2P + 16S + 3P		
A					.XXX±.005/0.XX±0.13				VERTICAL PRESS-FIT RECEIPT		
				angles	XXXX±.0020/0.XXX±0.051						
					0° ± 2°						
				dr	CS 09/10/05	INCH/MM		product family	PwrBlade		code
				enr	STEVEN WANG 09/10/05	scale		size	dwg no		213
				chr	VICTOR LIN 09/10/05	1:1		A	51750-071		sheet
				appd	JOSEPH HSIA 09/10/05						4 of 4
sheet index	revision sheet										

cage code 22526 4

PDM: Rev:A

STATUS: Released

Printed: Dec 20, 2010