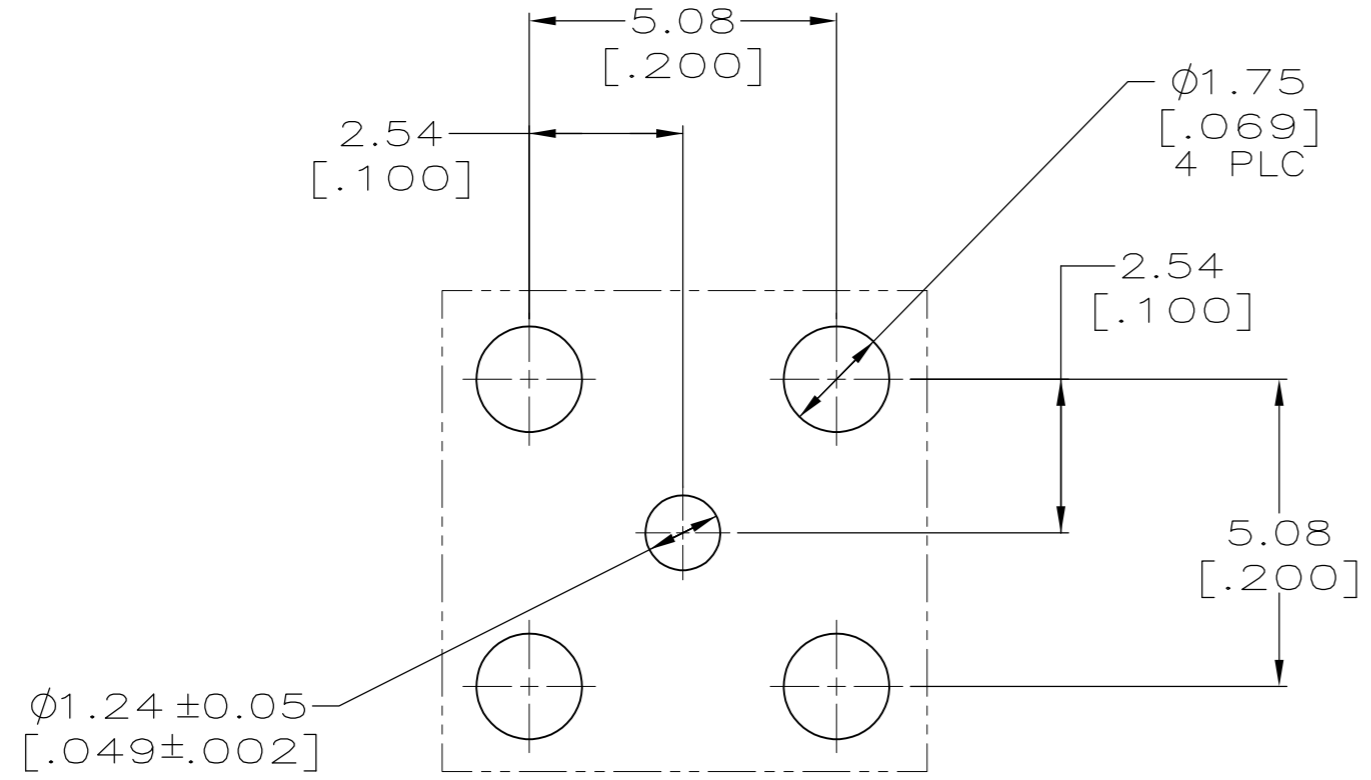
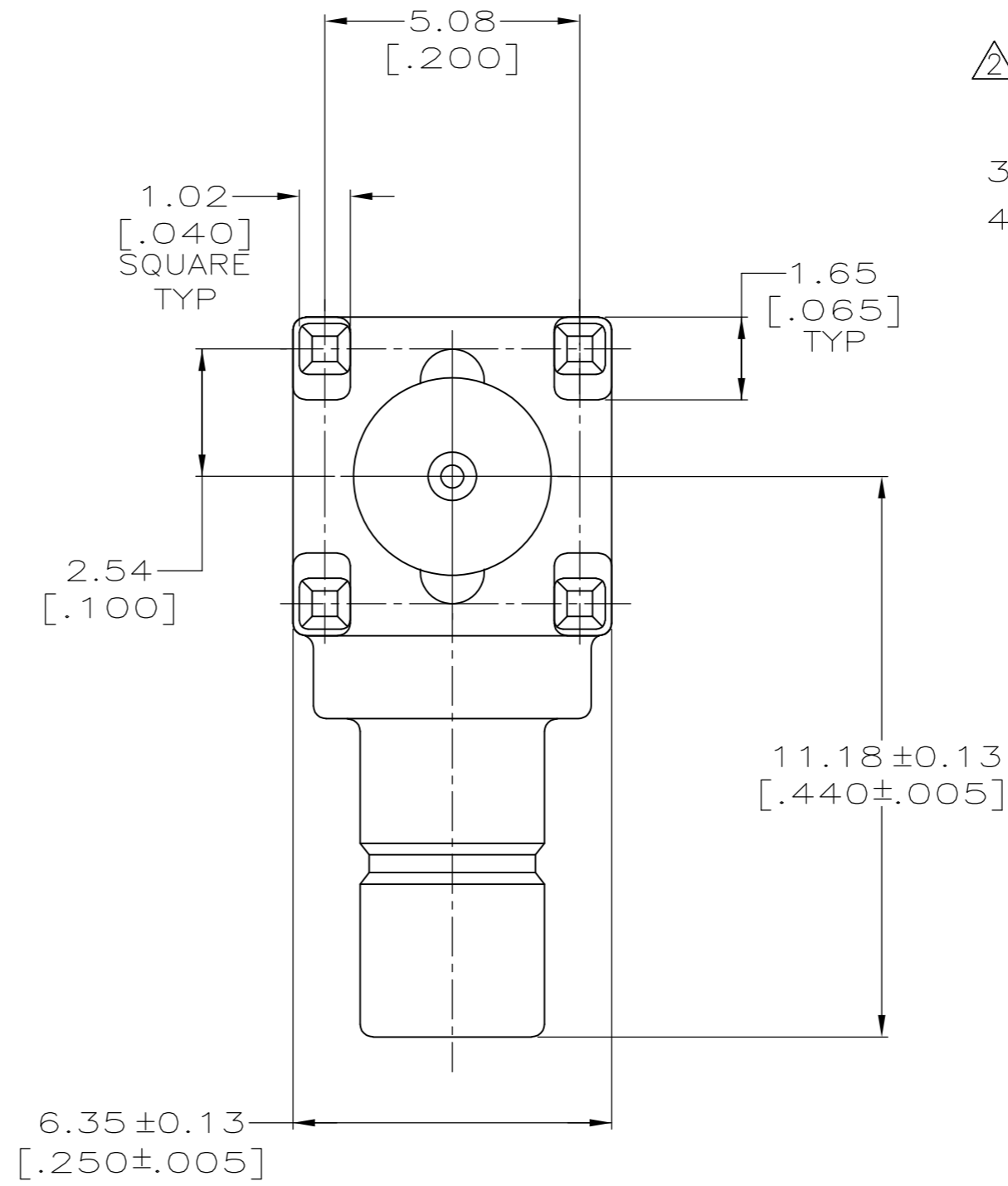
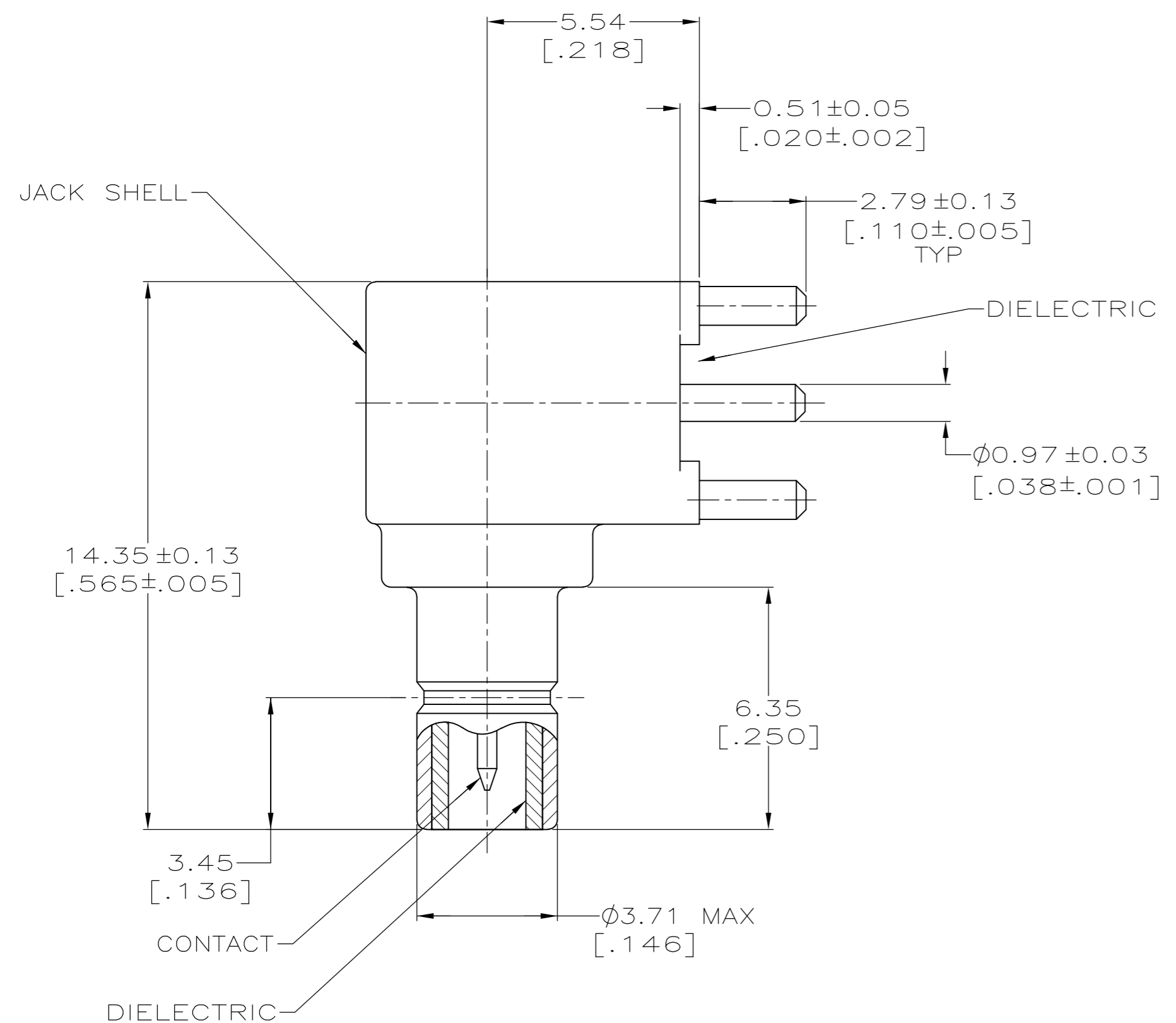


THIS DRAWING IS UNPUBLISHED. RELEASED FOR PUBLICATION
 © COPYRIGHT - By - ALL RIGHTS RESERVED.

LOC	DIST	REVISIONS			
P	LTR	DESCRIPTION	DATE	DWN	APVD
AJ	16	A	ECR-12-005726	27MAR12	RK MY



RECOMMENDED PCB CONFIGURATION

- △ MATERIALS:
 JACK SHELL: ZINC ALLOY
 CONTACT: BRASS PER QQ-B-626
 DIELECTRICS: PTFE PER ASTM-D-1710
- △ FINISHES:
 JACK SHELL: GOLD PER MIL-G-45204.
 CONTACT: GOLD PER MIL-G-45204
- 3. INTERFACE PER MIL-C-39012.
- 4. HEWLETT PACKARD PART NUMBER 1250-0543-1, REV E.

415672-1
 PART NUMBER

THIS DRAWING IS A CONTROLLED DOCUMENT.		DWN B. MOYER 04FEB97	TE Connectivity	
DIMENSIONS: mm [INCHES]		CHK S. BURLHOLDER 04FEB97	NAME S. BURLHOLDER	
TOLERANCES UNLESS OTHERWISE SPECIFIED:		APVD S. BURLHOLDER 04FEB97	PRODUCT SPEC	
0 PLC ± -		APPLICATION SPEC		
1 PLC ± -		WEIGHT		
2 PLC ± 0.08 [.003]		SCALE 8:1		
3 PLC ± -		SHEET 1 of 1		
4 PLC ± -		REV A		
ANGLES ± -		CUSTOMER DRAWING		
FINISH		SIZE A2 CAGE CODE 00779 DRAWING NO C=415672 RESTRICTED TO -		