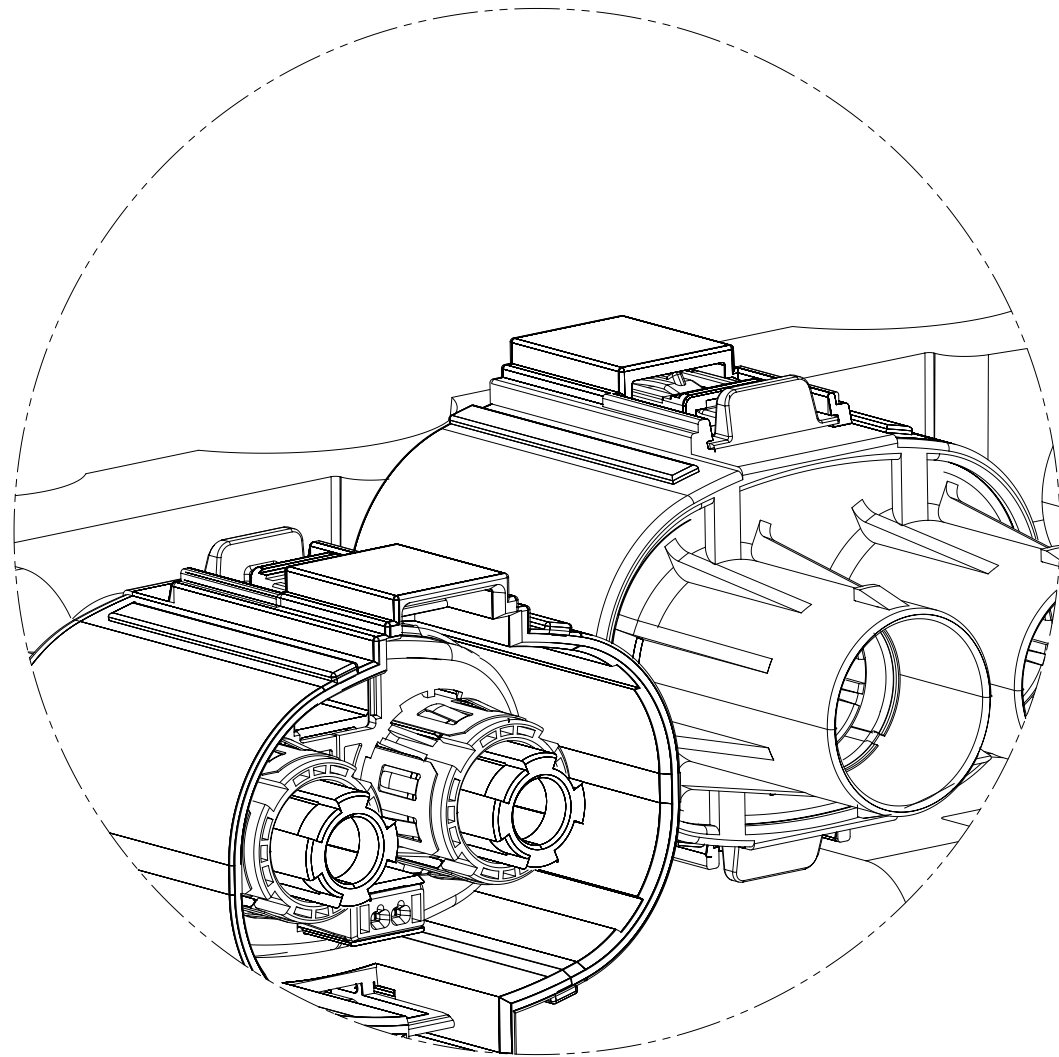
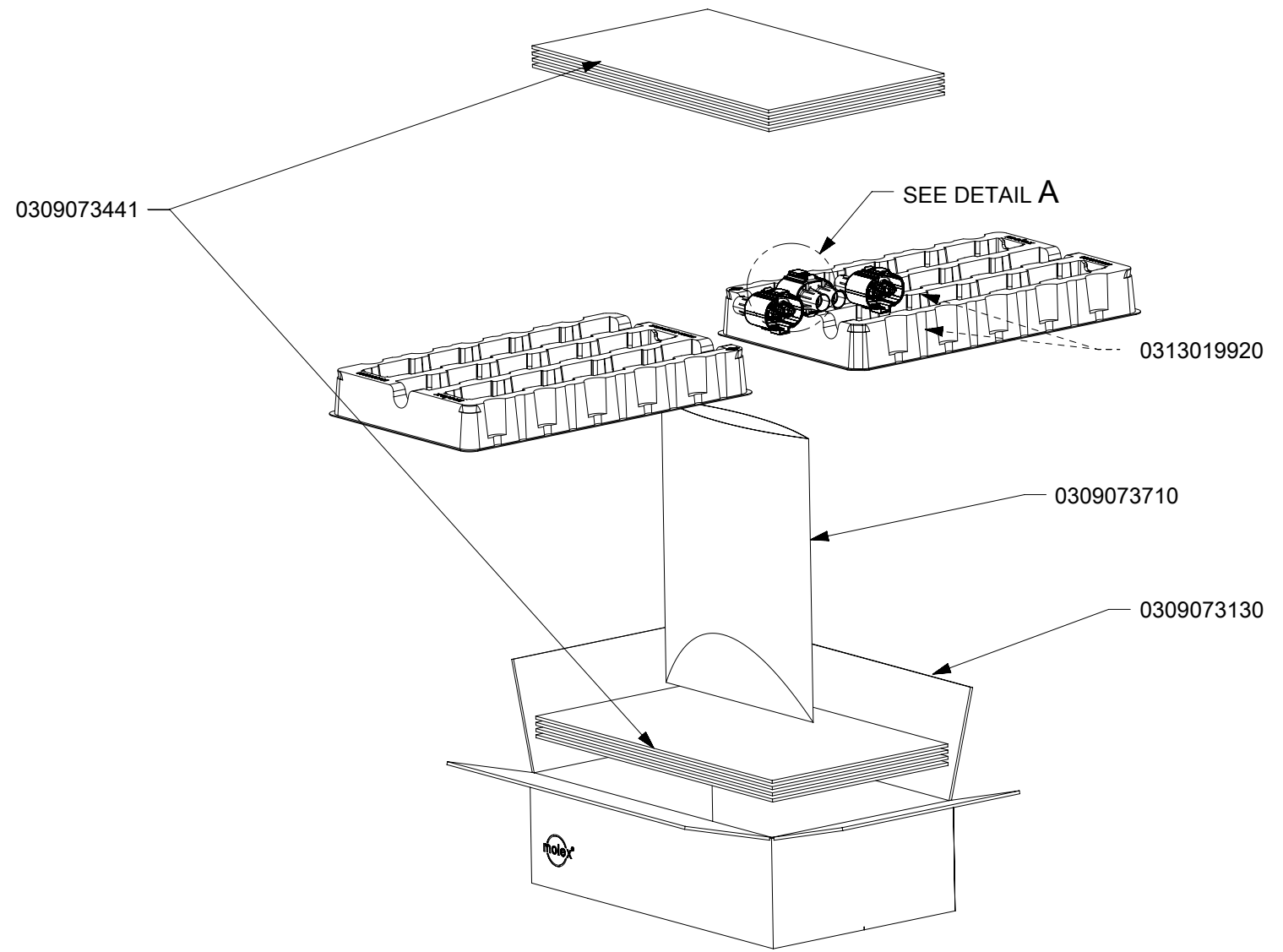


- Notes:
1. FOLD AND TAPE THE BOTTOM FLAPS OF THE CARTON (0309073130).
 2. INSERT 4 FOAM PADS (0309073441) AND 1 BAG (0309073710).
 3. LOAD 15 RECEPTALS INTO THE TRAY (0313019920) AS SHOWN IN DETAIL 1.
 4. INSERT 2 LOADED TRAYS (WITH ONE TURNED 180 DEGREES) INTO THE BAG AND CARTON.
 5. FOLD OVER THE TOP OF THE BAG AND FILL THE CARTON WITH 4 FOAM PADS.
 6. FOLD AND TAPE THE TOP FLAPS OF THE CARTON.
 7. LEVEL PER ES-40000-7012.
 8. STANDARD PACKAGE QUANTITY (SPQ): 30
 9. GROSS WEIGHT: 5.6 kg
 10. IF QUANTITIES JUSTIFY UP TO 30 CARTONS IN 5 LAYERS OF 4 CARTONS ON A 1200X800 mm PALLET.

MOLEX PART NUMBER
1714669001
1714702001
1714669001



DETAIL A
SCALE 1:1



QUALITY SYMBOLS	THIS DRAWING CONTAINS INFORMATION THAT IS PROPRIETARY TO MOLEX ELECTRONIC TECHNOLOGIES, LLC AND SHOULD NOT BE USED WITHOUT WRITTEN PERMISSION											
▽ = 0	EC NO: 120493 DRWN: DVANDEPUTTE CHKD: APPR: CSHELDON	2017/07/31 2017/11/06	GENERAL TOLERANCES (UNLESS SPECIFIED)		DIMENSION UNITS	SCALE						
▽ = 0			ANGULAR TOL ± 0.5 °		mm	1:10						
▽ = 0			4 PLACES ±	DRWN BY	DATE							
▼ = 0			DRAFT WHERE APPLICABLE MUST REMAIN WITHIN DIMENSIONS	A	3 PLACES ±	PPHELPS	2013/03/19	15-CELL TRAY PACK FOR 171466 SERIES 2 CKT IMPERIUM RECEPTACLE				
▽ = 0					2 PLACES ± 0.13	CHK'D BY	DATE					
⊠ = 0					1 PLACE ± 0.25	MDATA	2013/05/21	PACKAGING DESIGN DRAWING				
■ = 0					0 PLACES ±	APATEL	2013/06/05					
▽ = 0					DRAWING SIZE	THIRD ANGLE PROJECTION			SERIES	MATERIAL NUMBER	CUSTOMER	
					B				171466	SEE CHART	GENERAL MARKET	
									DOCUMENT NUMBER	DOC TYPE	DOC PART	SHEET NUMBER
							PK-171466-997	PDD	001	1 OF 2		