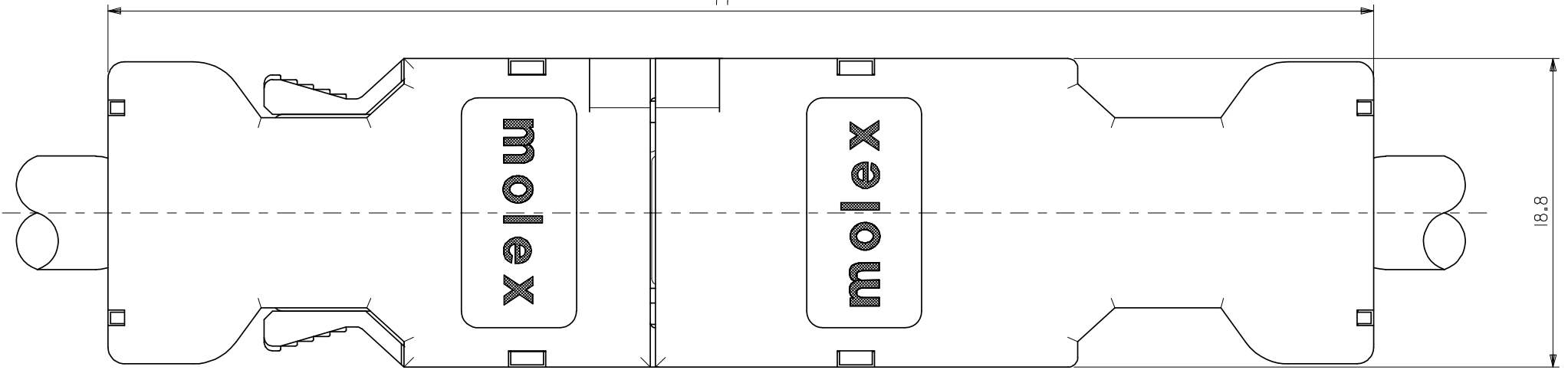


プラグ側 (55100-0670)
PLUG SIDE

ソケット側 (54280-0609)
SOCKET SIDE

77

18.8



54182-0605
COVER B

58299-0626
SHELL COVER

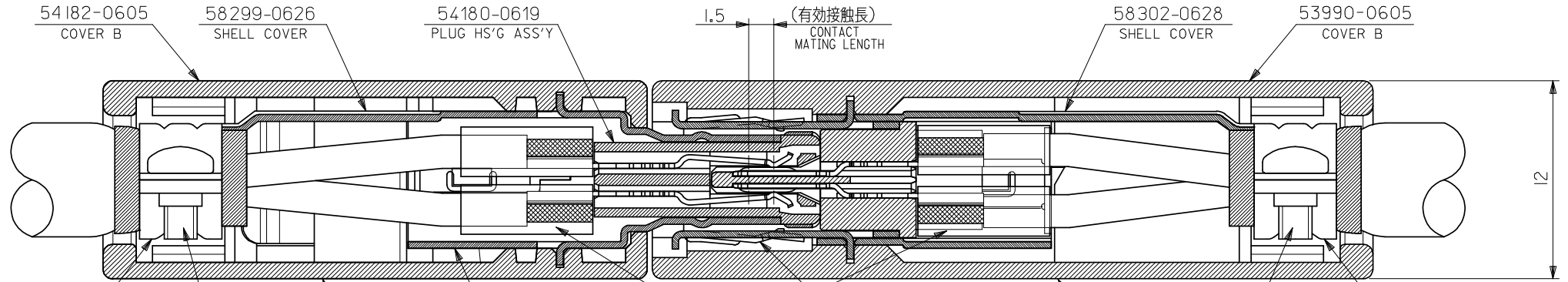
54180-0619
PLUG HS'G ASS'Y

1.5 (有効接触長)
CONTACT MATING LENGTH

58302-0628
SHELL COVER

53990-0605
COVER B

12



58303-0000
CABLE CRAMP

59832-0009
CROSS RECESSED
HEAD SCREW

54181-0615
COVER*A' ASS'Y

58300-0626
SHELL BODY

手半田
HAND SOLDERING

53988-0619
SOCKET HS'G ASS'Y

53989-0605
COVER A

59832-0009
CROSS RECESSED
HEAD SCREW

58303-0000
CABLE CRAMP

注記
NOTE

1. 本製品は 55100-0600, 54280-0600 の鉛フリー品である。
THIS PRODUCT IS LEAD FREE OF 55100-0600 AND 54280-0600.

RELEASED
EC NO: J2008-3560
DRWN: NABEI 2008/04/09
CHKD: MISOGAYA 2008/04/10
APPR: NUKITA 2008/04/11
REV 0

GENERAL TOLERANCES (UNLESS SPECIFIED)	
10 UNDER	± ---
10 OVER 30 UNDER	± ---
30 OVER	± ---
ANGULAR	± --- °
DRAFT WHERE APPLICABLE MUST REMAIN WITHIN DIMENSIONS	

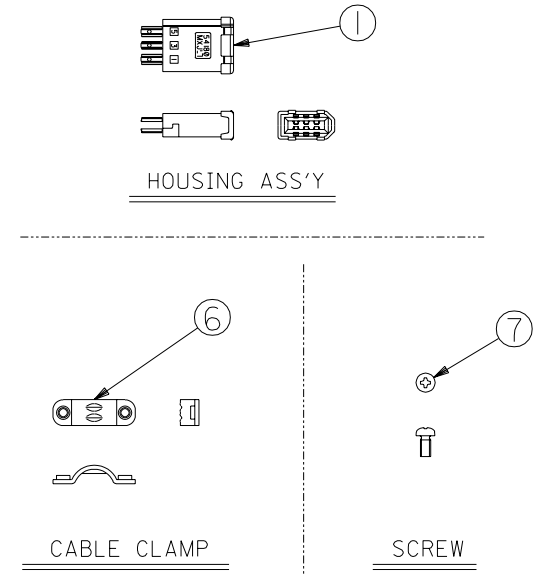
DIMENSION STYLE MM ONLY	
DRAWN BY	DATE
M. NABEI	'08/04/07
CHECKED BY	DATE
M. ISOGAYA	'08/04/07
APPROVED BY	DATE
N. UKITA	'08/04/07
MATERIAL NO.	
SEE IN FIGURE	
SIZE	
A3	

SCALE	DESIGN UNITS	THIRD ANGLE PROJECTION
4:1	METRIC	
TITLE		
2.0 I/O CONN. CROSS-SECT. VIEW OF MATED CONNECTORS -LEAD FREE-		
MOLEX MOLEX INCORPORATED		
DOCUMENT NO.		SHEET NO.
SD-54280-011		1 OF 1
THIS DRAWING CONTAINS INFORMATION THAT IS PROPRIETARY TO MOLEX INCORPORATED AND SHOULD NOT BE USED WITHOUT WRITTEN PERMISSION		

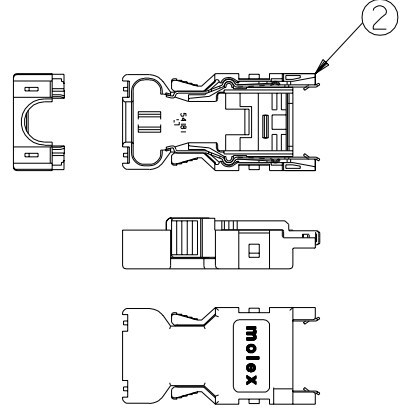
DWG. NO. SD-55100-004

部品構成
PARTS CONSTRUCTION

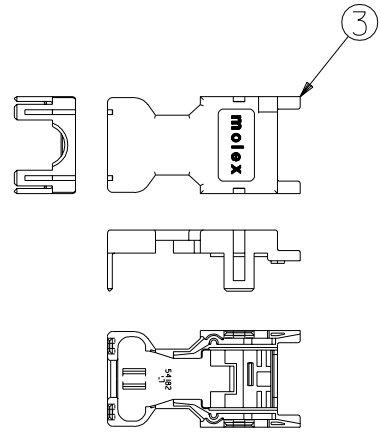
部番 NO.	部品名 PART NAME	製品番号 ENG. NO.	個数 QUAN.	材質 MATERIAL
①	ハウジングアッセンブリ HOUSING ASS'Y	54180-0619	1	ハウジング：ガラス入り耐熱樹脂 UL94V-0 色：黒 HOUSING : G.F. HEAT RESISTANT PLASTIC UL94V-0 COLOR : BLACK ターミナル：りん青銅 t0.3 TERMINAL : PHOSPHOR BRONZE t0.3 メッキ仕様 接点部：ニッケル下地金メッキ PLATING CONTACT AREA : GOLD OVER NICKEL 結線部：ニッケル下地錫メッキ WIRE TERMINATION AREA : TIN OVER NICKEL
②	カバー A COVER A	54181-0615	1	カバー A：ガラス入りポリカーボネイト樹脂 COVER A : POLYCARBONATE G.F. UL94V-0 色：グレー UL94V-0 COLOR : GRAY スプリングラッチ：ステンレス鋼 t0.4 SPRING LATCH : STAINLESS STEEL t0.4
③	カバー B COVER B	54182-0605	1	ガラス入りポリカーボネイト樹脂 UL94V-0 色：グレー POLYCARBONATE G.F. UL94V-0 COLOR : GRAY
④	シエル カバー SHELL COVER	58299-0626	1	鋼 t0.4 STEEL t0.4
⑤	シエル ボディ SHELL BODY	58300-0626	1	メッキ仕様：ニッケル下地、錫メッキ PLATING : NICKEL BASE, TIN PLATING
⑥	ケーブルランプ CABLE CLAMP	58303-0000	1	ステンレス鋼 STAINLESS STEEL
⑦	十字穴付きなべ小ネジ CROSS RECESSED PAN HEAD MACHINE SCREW	59832-0009	2	黄銅(ネジサイズ：M2X4) BRASS (SCREW SIZE : M2X4)



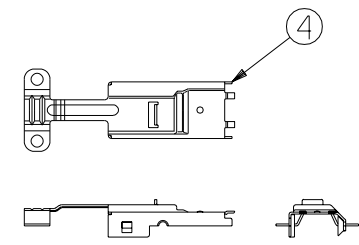
NOTES:
本製品は55100-0600の鉛フリー品である
THIS PRODUCT IS LEAD FREE OF 55100-0600.



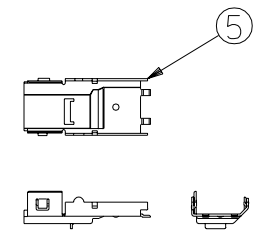
COVER A



COVER B



SHELL COVER



SHELL BODY

55100-0670	55100-***70
MATERIAL No.	MODEL No.

材料 MATERIAL		注参照 SEE NOTES		molex MOLEX-JAPAN CO.,LTD. 日本モレックス株式会社	
仕上げ FINISH		注参照 SEE NOTES		REVISE ONLY ON CAD SYSTEM	
適用電線範囲 WIRE RANGE		—		TITLE 名称 2.0 mm PITCH I/O CONN. PLUG SET	
被覆外径 INS. RANGE		—		-LEAD FREE-	
DRAWN BY '04/05/19 H.KAWABATA		CHK'D BY '04/05/19 K.TOJO		DWG. NO. SD-55100-004	
APP'D BY '04/05/19 M.SASAO		DR. CHK. DATE		REV 0	
SCALE 1:1					

角度 ANGLE	±3°
30 以上 OVER	+0.3
10 以上 30 未満 OVER 30 UNDER	+0.25
10 未満 UNDER	+0.2
一般公差 GENERAL TOLERANCES	

①	新規作成 (J2004-4320) RELEASED	DR. K.T.	'04/05/19
記号 LTR	変更内容 REVISION RECORD	日付 DATE	

DIMENSIONS IN METRIC DO NOT SCALE DRAWING

SD-55100-004.S01