

DESCRIPTION

Demonstration circuit 1526 is a monolithic step-down DC/DC switching regulator featuring the LT[®]3991. The switching frequency is adjustable up to 2MHz. The demo circuit is designed for 3.3V, 1.2A output from a 4.5V to 55V input. The wide input range of the LT3991 allows a variety of input sources including automotive batteries and 24V industrial supplies. Low ripple Burst Mode increases the efficiency at the light load while keeping the output ripple below 15mV. The part is in shutdown when the EN pin is low and active when the pin is high. The threshold of the EN pin is accurate at 1.01V with 30mV of hysteresis. When V_{in} is above 6V, adding a resistor divider from V_{in} to EN can program the LT3991 to regulate the output only when V_{in} is above a desired voltage.

The circuit consumes only 2.8 μ A of quiescent current. The boost diode, control and logic circuit are integrated to reduce the components count and solution size. The current mode control scheme creates fast transient response and good loop stability.

The LT3991 datasheet gives a complete description of the part, operation and application information. The datasheet must be read in conjunction with this quick start guide for demo circuit 1526.

Design files for this circuit board are available. Call the LTC factory.

 , LTC and LT are registered trademarks of Linear Technology Corporation.

Performance Summary ($T_A = 25^\circ\text{C}$)

PARAMETER	CONDITION	VALUE
Minimum Input Voltage		4.5V
Maximum Input Voltage		55V
Output Voltage V_{OUT}		3.307 \pm 2.5%
Typical switching Frequency		400kHz
Maximum Output Current		1.2A
Typical efficiency	$V_{IN}=24\text{V}$, $I_{OUT}=1.2\text{A}$	79.4%
Typical output voltage Ripple	$V_{IN}=24\text{V}$, $I_{OUT}=1.2\text{A}$	20mV

QUICK START PROCEDURE

Demonstration circuit 1526 is easy to set up to evaluate the performance of the LT3991. Refer to Figure 1 for proper measurement equipment setup and follow the procedure below:

NOTE. When measuring the input or output voltage ripple, care must be taken to avoid a long ground lead on the oscilloscope probe. Measure the input or output voltage ripple by touching the probe tip directly across the V_{in} or V_{out} and GND terminals. See Figure 2 for proper scope probe technique.

1. Place JP1 on the ON position.
2. With power off, connect the input power supply to Vin and GND.
3. Turn on the power at the input.
5. Once the proper output voltage is established, adjust the load within the operating range and observe the output voltage regulation, ripple voltage, efficiency and other parameters.

NOTE. Make sure that the input voltage does not exceed 55V.

4. Check for the proper output voltage.

NOTE. If there is no output, temporarily disconnect the load to make sure that the load is not set too high.

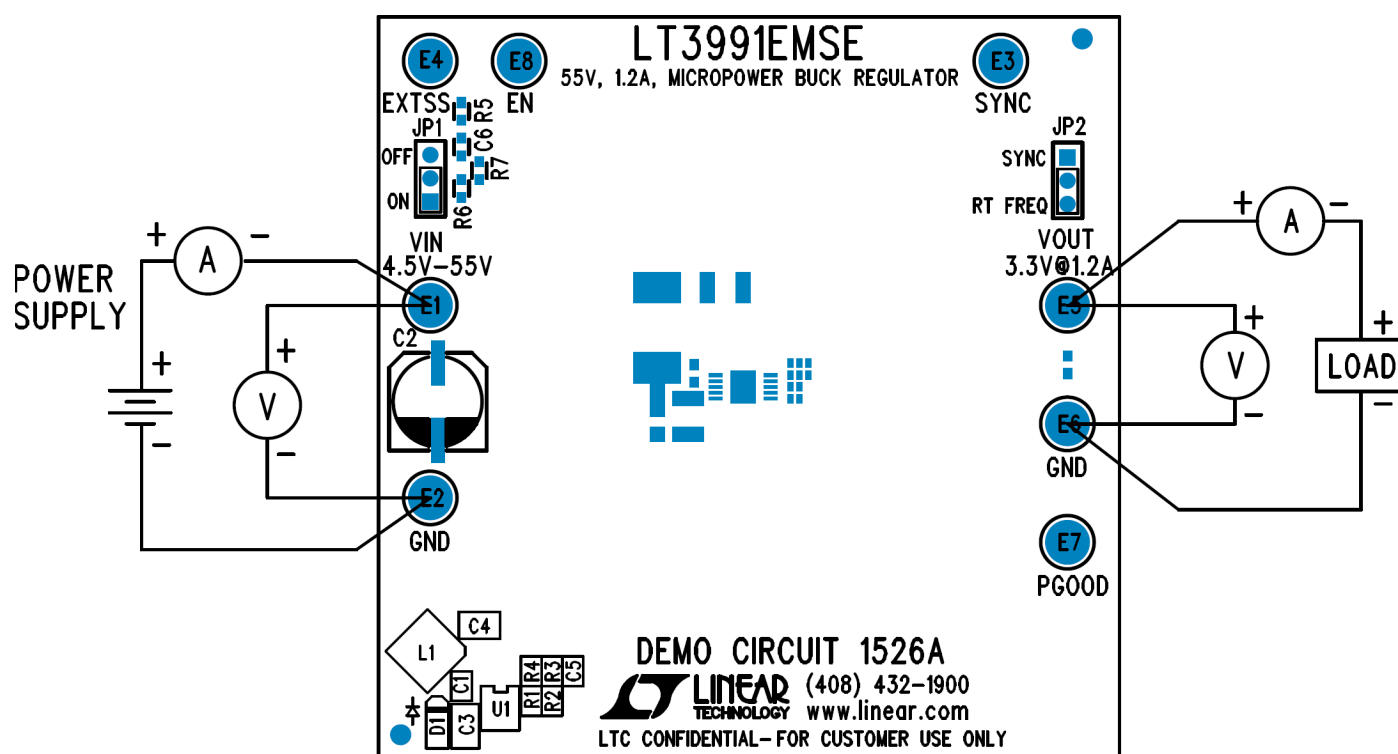


Figure 1. Proper Measurement Equipment Setup

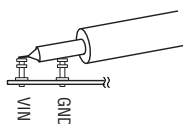
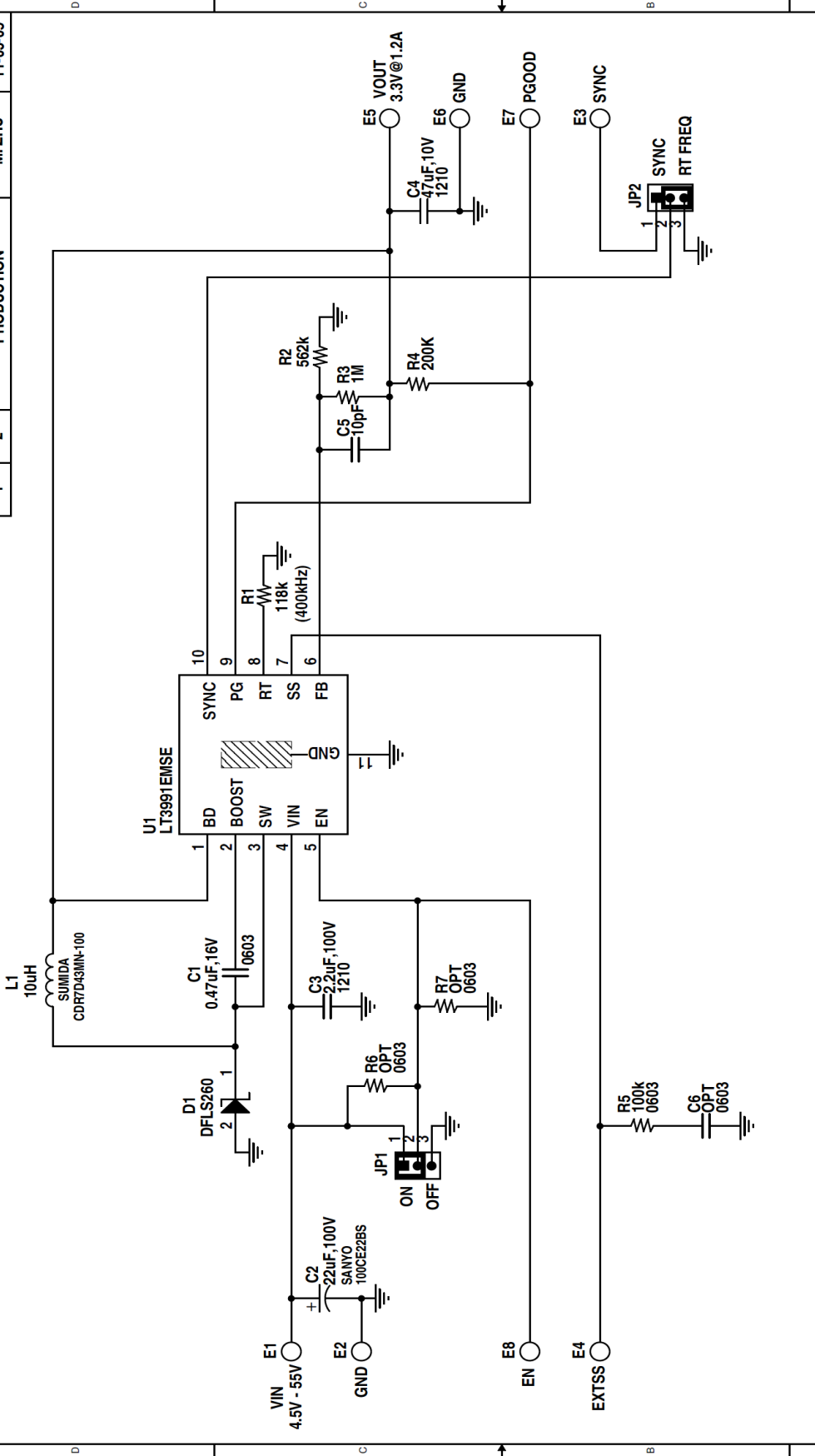


Figure 2. Measuring Input or Output Ripple

REVISION HISTORY				
ECO	REV	DESCRIPTION	APPROVED	DATE
1	2	PRODUCTION	M. ZHU	11-05-09



NOTES: UNLESS OTHERWISE SPECIFIED

- ALL RESISTORS ARE IN OHMS, 0402.
- ALL CAPACITORS ARE IN MICROFARADS, 0402.
- INSTALL SHUNTS AS SHOWN.

CUSTOMER NOTICE

LINEAR TECHNOLOGY HAS MADE A BEST EFFORT TO DESIGN A CIRCUIT THAT MEETS CUSTOMER-SUPPLIED SPECIFICATIONS; HOWEVER, IT REMAINS THE CUSTOMER'S RESPONSIBILITY TO VERIFY PROPER AND RELIABLE OPERATION IN THE ACTUAL APPLICATION. COMPONENT SUBSTITUTION AND PRINTED CIRCUIT BOARD LAYOUT MAY SIGNIFICANTLY AFFECT CIRCUIT PERFORMANCE OR RELIABILITY. CONTACT LINEAR TECHNOLOGY APPLICATIONS ENGINEERING FOR ASSISTANCE.

THIS CIRCUIT IS PROPRIETARY TO LINEAR TECHNOLOGY AND SUPPLIED FOR USE WITH LINEAR TECHNOLOGY PARTS.

CONTRACT NO.	APPROVALS
	PCB DES. K. TRAN
	ENG. M. ZHU
TITLE: SCHEMATIC	
55V, 1.2A, MICROPOWER BUCK REGULATOR	
SIZE A	REV 2
IC NO. LT3991EMSE	
DATE: Thursday, November 05, 2009	SHEET 1 OF 1

1630 McCarthy Blvd.
Milpitas, CA 95035
Phone: (408)432-1900
Fax: (408)434-0507
LTC Confidential-For Customer Use Only

LINEAR TECHNOLOGY

