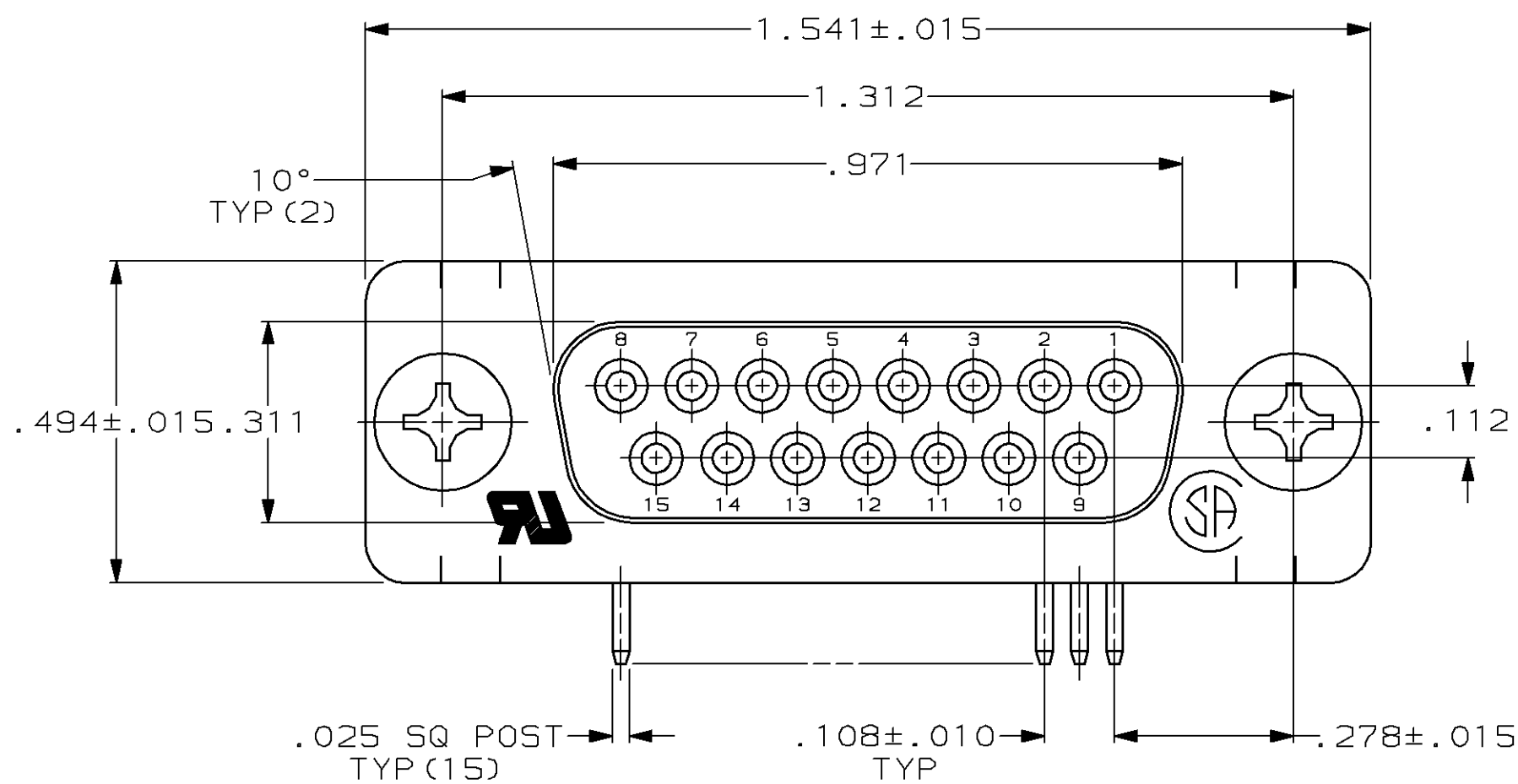
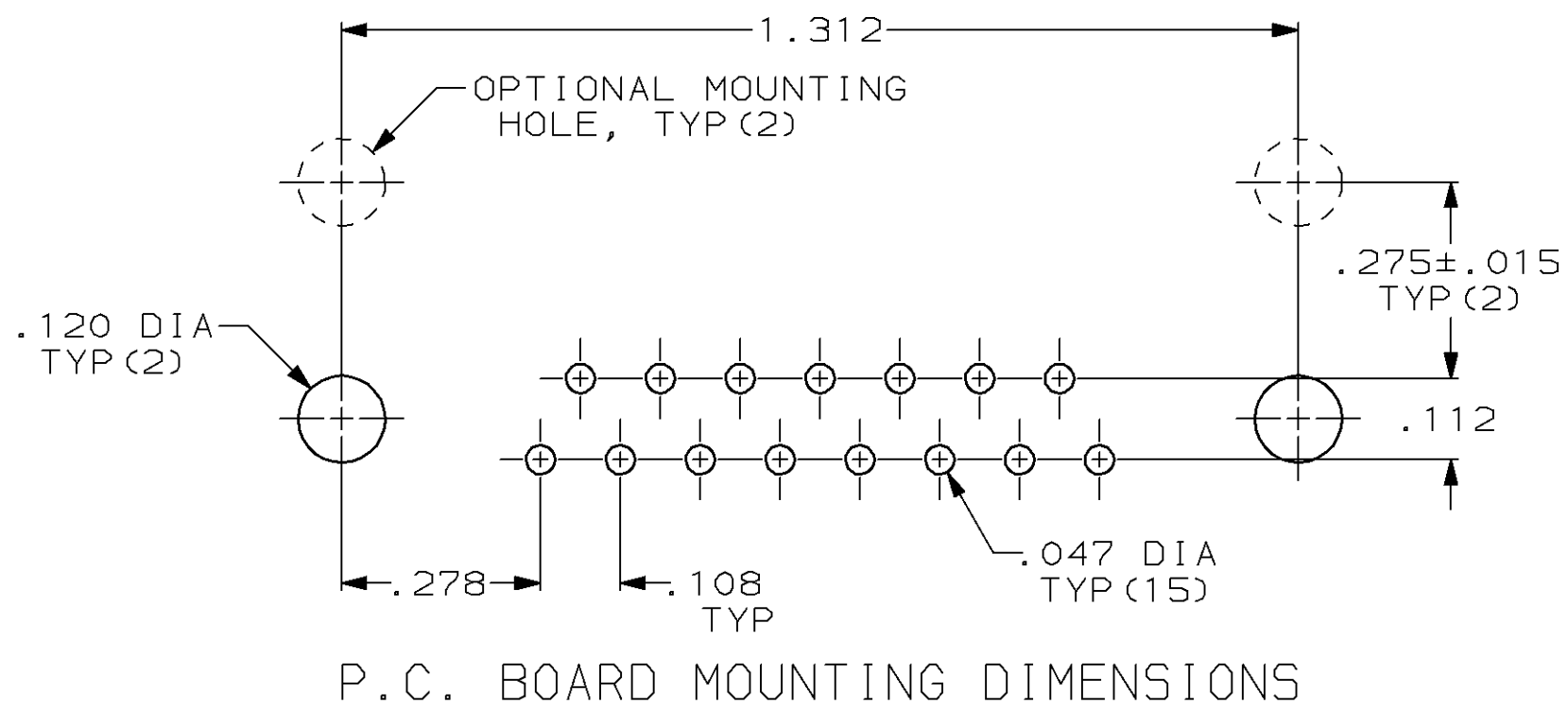
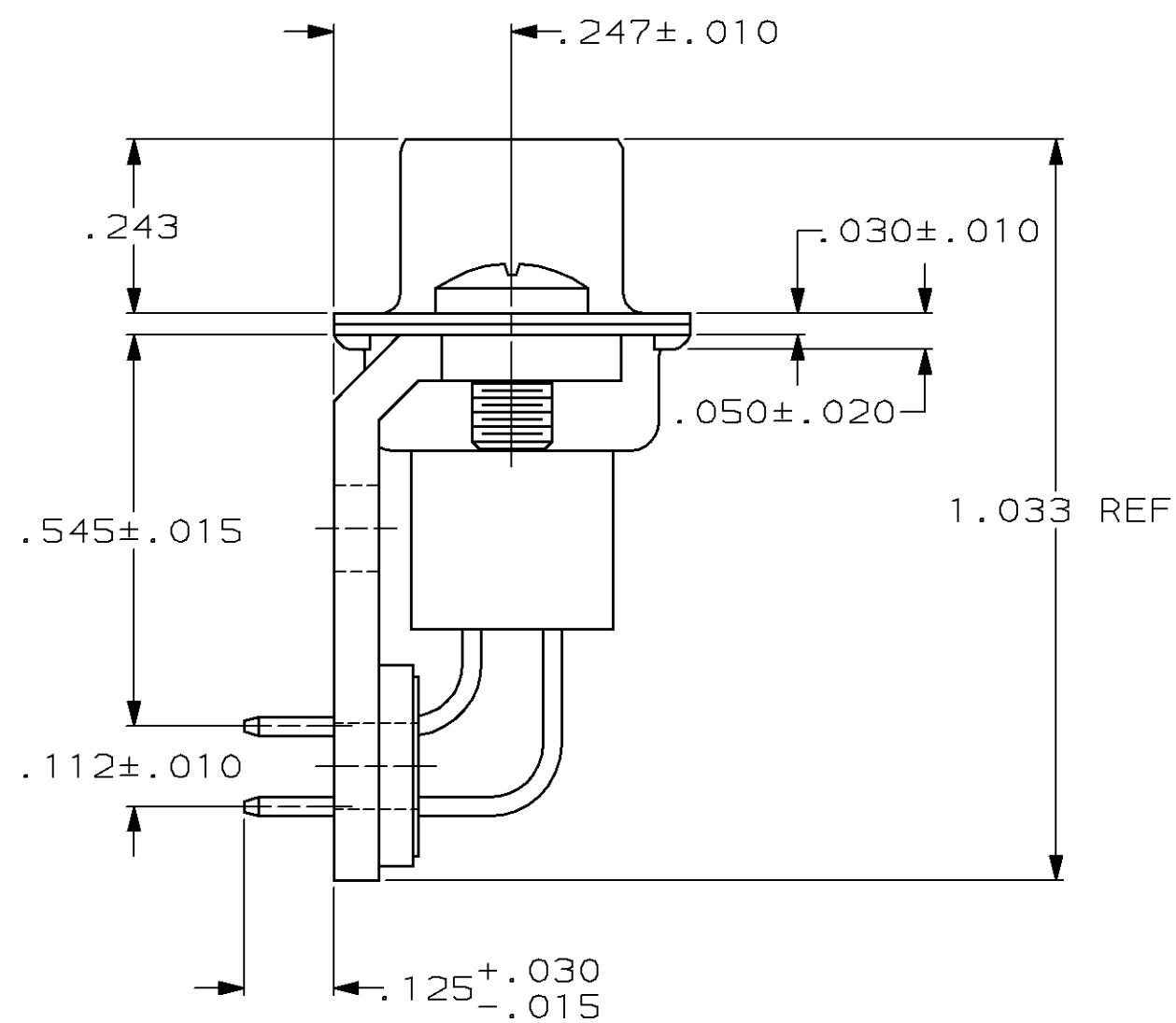
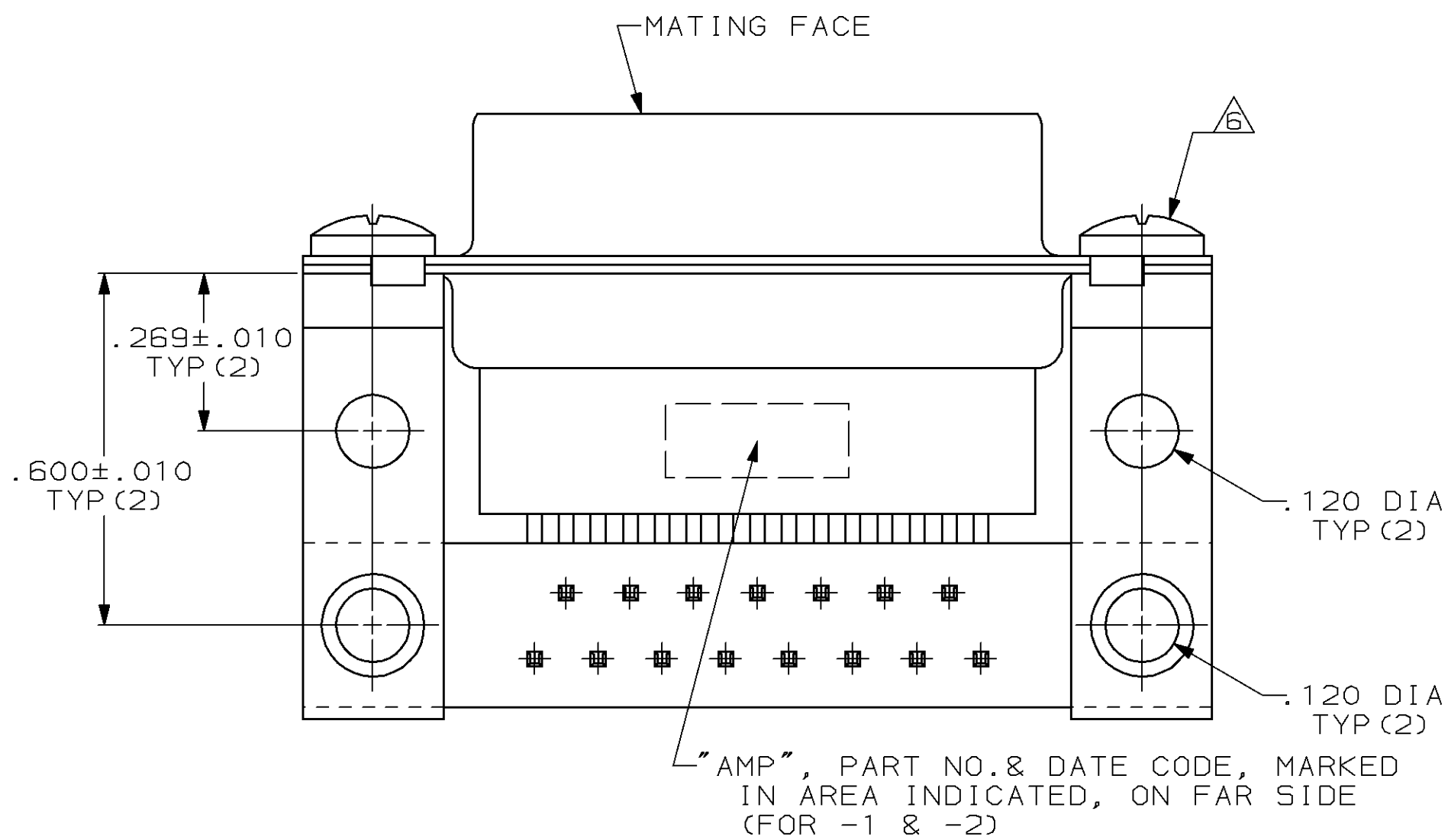


THIS DRAWING IS UNPUBLISHED. RELEASED FOR PUBLICATION  
 BY AMP INCORPORATED. ALL RIGHTS RESERVED.

| LOC |     | DIST        |           | REVISIONS |      |  |  |
|-----|-----|-------------|-----------|-----------|------|--|--|
| P   | LTR | DESCRIPTION | DATE      | DWN       | APVD |  |  |
| BD  | 77  | E           | 9-5-89    | -         | -    |  |  |
|     |     | F           | 27 FEB 97 | DH        | RT   |  |  |



- 1 MOLDED PARTS: THERMOPLASTIC, BLACK, 94V-0 RATED. SHELLS & BRACKETS: STEEL PER ASTM A109. CONTACTS: PHOSPHOR BRONZE PER QQ-B-750.
- 2 SHELLS AND BRACKETS: TIN PLATED. CONTACTS: SEE TABLE.
- 3 GOLD FLASH FOR A LENGTH OF .100 MIN FROM MATING END, .000100 MIN TIN-LEAD ON OPPOSITE END, BOTH OVER .000050 MIN NICKEL.
- 4 .000030 MIN GOLD FOR A LENGTH OF .100 MIN FROM MATING END, .000100 MIN TIN-LEAD ON OPPOSITE END, BOTH OVER .000050 MIN NICKEL.
- 5 TIN PLATING PER MIL-T-10727, GOLD PLATING PER MIL-G-45204, NICKEL PLATING PER QQ-N-290.
- 6 SCREWS ARE FOR -1 & -2.
- 7. CONNECTOR MATES WITH ANY 15 POSITION PLUG IN AMPLIMITE SERIES AND COMPLIES WITH AMP 108-40,005 WHERE APPLICABLE.



| CONTACT FINISH | PART NUMBER |
|----------------|-------------|
| 4              | 745113-3    |
| 4              | 745113-2    |
| 3              | 745113-1    |

|  |  |                        |   |
|--|--|------------------------|---|
| THIS DRAWING IS A CONTROLLED DOCUMENT. |  | DWN J. GERACE 12-23-83 | <b>AMP</b> AMP Incorporated<br>Harrisburg, PA 17105-3608                      |
| DIMENSIONS: INCHES                     |  | CHK J. GERACE 12-23-83 |   |
| TOLERANCES UNLESS OTHERWISE SPECIFIED: |  | APVD J. ASSINI 3-15-84 | NAME RECEPTACLE ASSY, SIZE 2,<br>15 POSN, R/A, .545 SERIES,<br>AMPLIMITE™ HDP |
| 0 PLC ±                                |  | PRODUCT SPEC -         |   |
| 1 PLC ±                                |  | APPLICATION SPEC -     | SIZE A2   |
| 2 PLC ±                                |  | WEIGHT -               | CAGE CODE 00779   |
| 3 PLC ±.005                            |  | CUSTOMER DRAWING       | DRAWING NO. C=745113  |
| 4 PLC ±                                |  | SCALE 4:1              | SHEET 1 OF 1  |
| ANGLES ±2°                             |  |                        | REV F   |
| FINISH                                 |  |                        |   |