

PRODUCT NUMBER  
98451-XXX-XXLF

WHEN REQUIRED, ADD SUFFIX LETTER "LF"  
INDICATES THE PRODUCT IS ROHS COMPLIANT  
& COMPATIBLE, SEE NOTE 7

TOTAL NB OF POSITIONS 04 TO 72  
PACKAGING OPTIONS, NOTE 3

PIN STYLE	"A"	"F"
01	5.4	7.8

PLATING:

- 1 = 0.76µm FULL GOLD, OVER 1.27µm Ni MIN
- 3 = 3.81µm FULL TIN/LEAD OVER 1.27µm Ni MIN.  
WHEN "LF" IS REQUIRED, 2µm MATTE TIN OVER 1.27µm MIN NICKEL IS PROVIDED INSTEAD OF TIN-LEAD
- 8 = 0.38µm FULL GOLD, OVER 1.27µm Ni MIN

NOTES:

1. HOUSING MAT'L : HIGH TEMPERATURE THERMOPLASTIC. UL94V-0 COLOR: BLACK
2. PIN MATERIAL : PHOSPHOR BRONZE
3. PACKAGING OPTIONS:  
- = POLY BAGS  
A = TAPE & REEL WITH PICK UP CAP, AS AVAILABLE
4. 9N MIN RETENTION IN EITHER DIRECTION
5. TO DETERMINE DIMENSIONS :  
N = NUMBER OF POSITIONS PER ROW  
EXAMPLE : 8 POS PER ROW, N x 2.54 = 20.32mm
6. RECOMMENDED IR PROFILE PER TA-842
7. ROHS COMPATIBLE PRODUCT SPECIFICATIONS

a - PLATING:

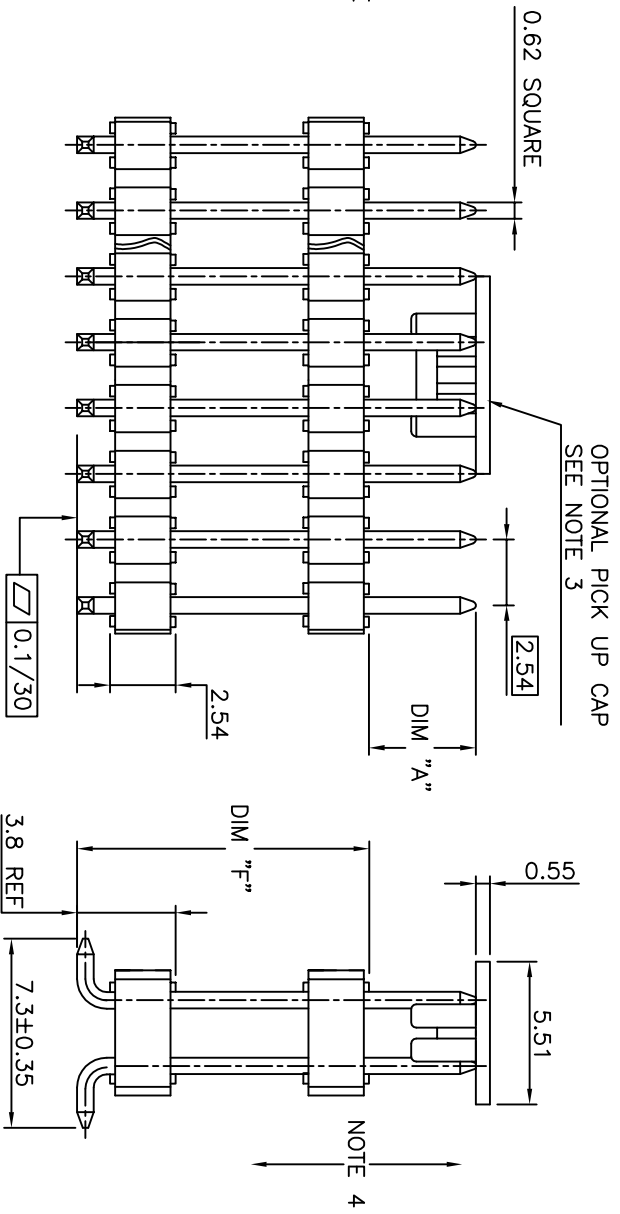
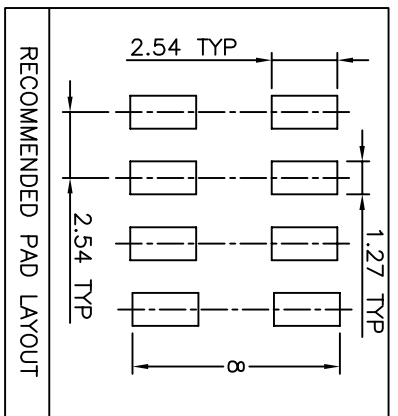
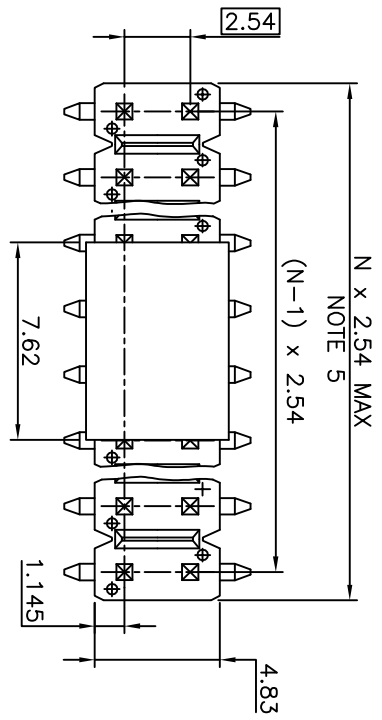
- "LF" MEANS THE PRODUCT IS LEAD-FREE, 2µm MINIMUM MATTE TIN OVER 1.27µm MINIMUM NICKEL UNDERPLATE.

b - MANUFACTURING PROCESS COMPATIBILITY

- THE HOUSING WILL WITHSTAND EXPOSURE TO 260°C PEAK TEMPERATURE FOR 30 SECONDS MAX IN A CONVECTION, INFRA-RED OR VAPOR PHASE OR REFLOW OVEN.

c - LABELLING:

- MEETS PACKAGING SPECS AS PER GS-14-920
- d - THIS PRODUCT MEETS EUROPEAN UNION DIRECTIVES AND OTHER COUNTRY REGULATIONS AS DESCRIBED IN GS-22-008



OPTIONAL PICK UP CAP  
SEE NOTE 3

NOTE 4

mat'l. code	ISO 1302	tolerance ISO 406 ISO 1101	projection	product family
ltr	ecn no	dr	date	surface
A	F00143	LWU	00.03.01	tolerances unless otherwise specified
B	F00171	LWU	27.03.00	angles
C	F20116	DLE	02.01.17	linear
D	F20149	DLE	02.02.19	xxx
E	F06-0166	LWU	06.04.14	engr COMPAGNON
F	F06-0208	JCO	06.06.22	chr
G	F-23186	AMA	16.02.01	qppd
sheet	revision			IMC
index	sheet			

title	product family	type	size
HDR, DR, DB	BERGSTIK	CUSTOMER	A3
SURFACE MOUNT			
98451			
sheet 1 of 1			
Drawing			