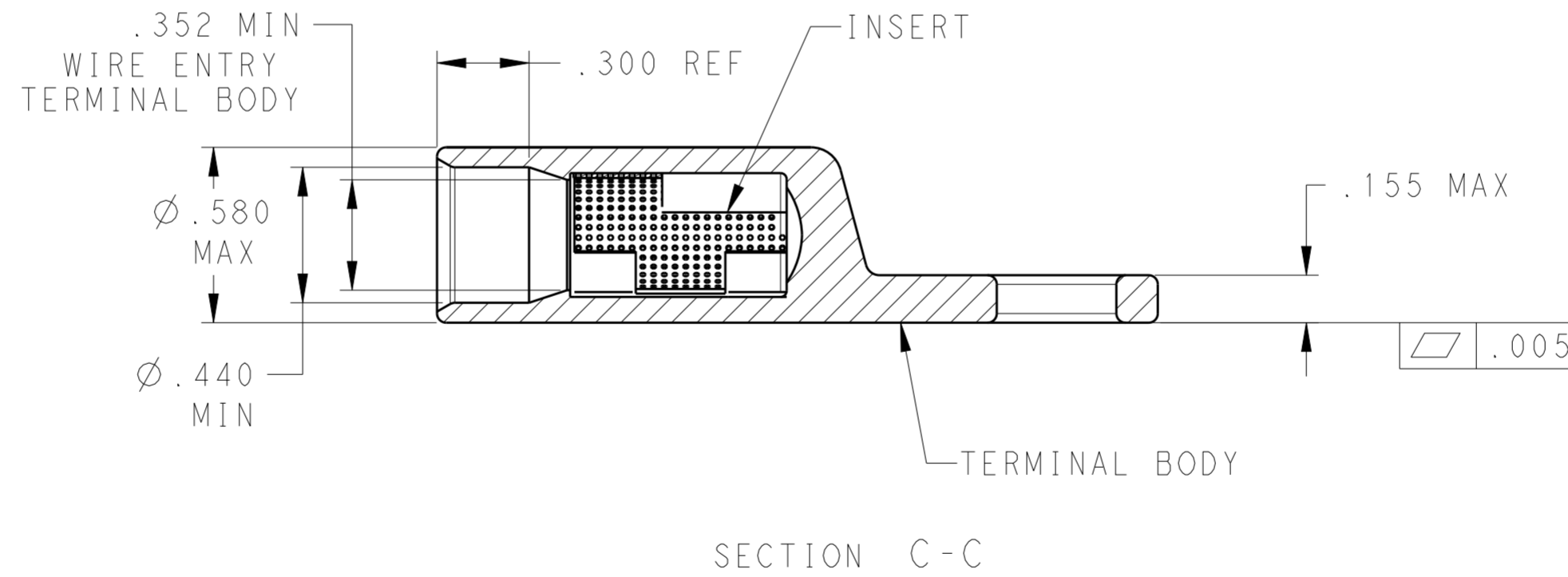
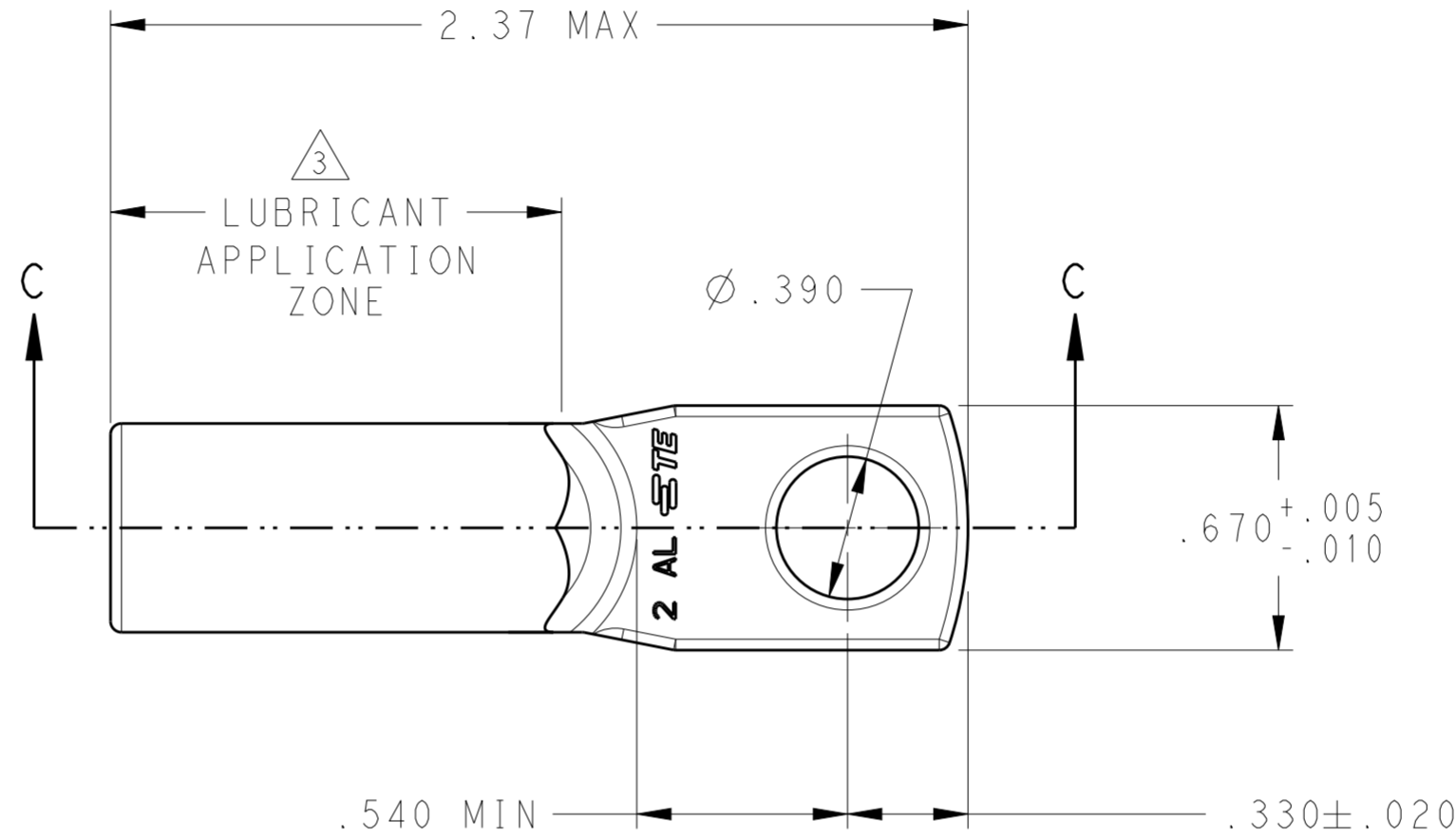
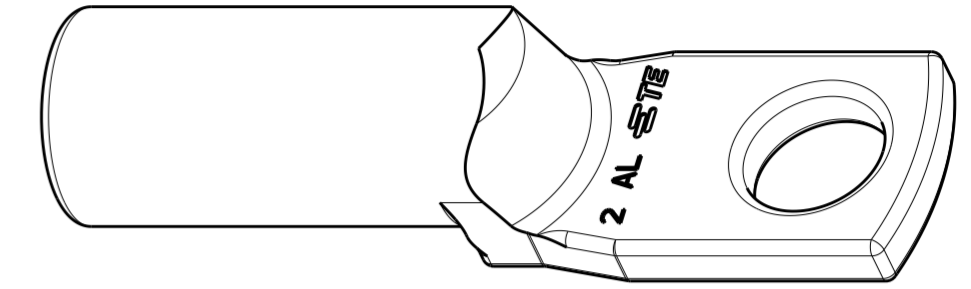


THIS DRAWING IS UNPUBLISHED. RELEASED FOR PUBLICATION
 © COPYRIGHT - BY - ALL RIGHTS RESERVED.

LOC		DIST		REVISIONS			
P	LTR	DESCRIPTION	DATE	DWN	APVD		
-	-	A	RELEASED PER ECO 15-010930	8-18-15	CT	PD	

- MATERIAL:
 BODY: ALUMINUM PER ASTM B317
 INSERT: BRASS PER ASTM B36
- FINISH:
 BODY: .000600 MIN MATTE TIN PER ASTM B545
 OVER .000060 MIN NICKEL PER ASTM B733.
 INSERT: .000150 MIN MATTE NICKEL PER QQ-N-290

3 PTFE DRY LUBRICANT 360 DEGREE ON OUTER DIAMETER OF CRIMP BARREL IN ZONE SHOWN.



2102571-1
 PART NO.

THIS DRAWING IS A CONTROLLED DOCUMENT.		DWN D. FABIAN 12MARCH2012	TE Connectivity	
DIMENSIONS: INCHES		CHK DEBOCK, KIM 28NOV2012		
TOLERANCES UNLESS OTHERWISE SPECIFIED:		APVD DEBOCK, KIM 28NOV2012	NAME ASSEMBLY, ALUMINUM, COPALUM, 2 AWG, STRAIGHT	
0 PLC ±. 1 PLC ±.1 2 PLC ±.02 3 PLC ±.005 4 PLC ±.0005 ANGLES ±1° FINISH		PRODUCT SPEC -	SIZE A200779	DRAWING NO C-2102571
MATERIAL SEE NOTES		WEIGHT -	RESTRICTED TO -	SCALE 2:1
SEE NOTES		Customer Drawing	SHEET 1	OF 1
			REV A	