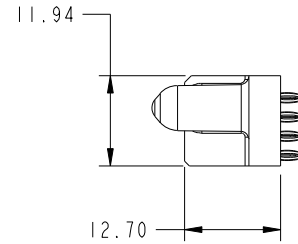
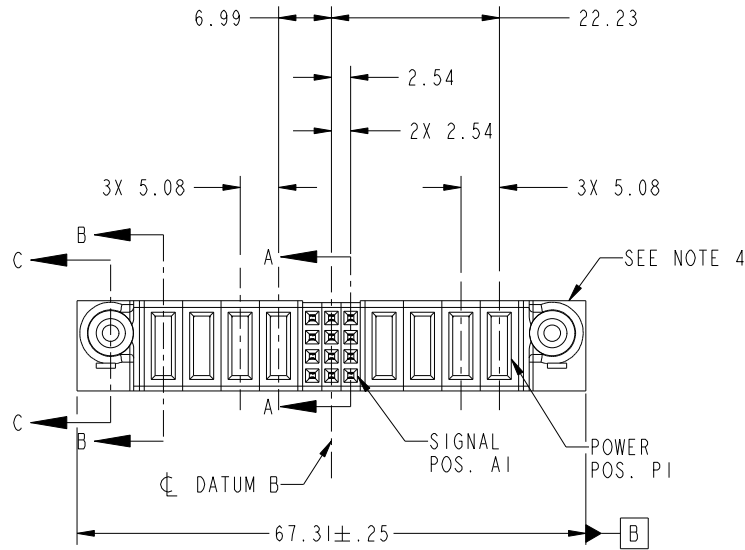


Tous droits strictement reserves. Reproduction ou communication a des tiers interdite sous quelque forme que ce soit sans autorisation ecrite du proprietaire. Propriete de c.FCI. Droits de reproduction FCI.

All rights strictly reserved. Reproduction or issue to third parties in any form whatever is not permitted without written authority from the proprietor. Property of FCI. Copyright FCI.



PRODUCT NO.	ROWS	POWER				SIGNAL				POWER				E1	
		E2	P8	P7	P6	P5	3	2	1	P4	P3	P2	P1		
51940-173-- NOTE: 3	D C B A		PC	PC	PC	PC	F	F	F	F	PC	PC	PC	PC	



CODE	DIM "M" MATING LENGTH	CONTACT TYPE
PC	[1.07]	POWER
F	[N/A]	SIGNAL

mat'l code				SEE NOTE		tolerances unless otherwise specified		CUSTOMER		 www.fciconnect.com	
lir	ecn no.	dr	date	linear	0.X ± 0.5	COPY		projection		title	
A	DG05-0432	Ryan	11/1/05	0.XX ± 0.25	MM				4P + 12S + 4P		
B	DG07-0498	JW	09/15/08	0.XXX ± 0.10	scale		1:1		VERTICAL PRESSFIT RECEIPT		
				angles	0° ± 2°	product family		PwrBlade		code	
				dr	Ryan.Yuan 11/1/05	size		A 51940-173		213	
				enrg	Sally.Luo 11/1/05	dwg no				sheet	
				chr	VICTOR LIN 11/1/05	A				1 of 4	
				appd	JOSEPH HSIA 11/1/05	B				B	
sheet index	revision sheet	B 1	B 2	B 3	B 4						

A

A

B

B

1 | 2

Pro/E

PDM: Rev: B

STATUS: Released

Printed: Dec 20, 2010

3

4

cage code 2856

4

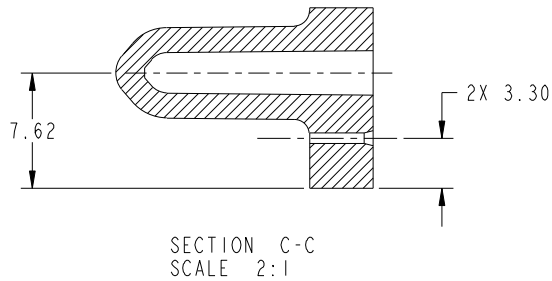
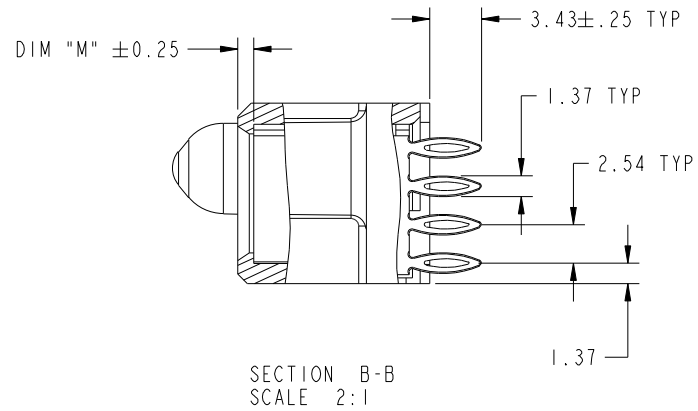
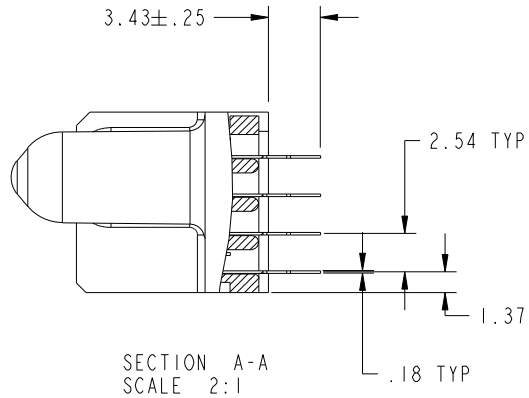
Tous droits strictement reserves. Reproduction ou communication a des tiers interdite sous quelque forme que ce soit sans autorisation ecrite du proprietaire. Propriete de c FCI. Droits de reproduction FCI.

All rights strictly reserved. Reproduction or issue to third parties in any form whatever is not permitted without written authority from the proprietor. Property of FCI. Copyright FCI.



PRODUCT NUMBER

51940-173--  
NOTE: 3



mat'l code		SEE NOTE		tolerances unless otherwise specified		CUSTOMER		 www.fciconnect.com	
lfr	ecn no.	dr	date	linear	0.X ± 0.5	COPY		title	
B				linear	0.XX ± 0.25	projection		4P + 12S + 4P	
				angles	0.XXX ± 0.10			VERTICAL PRESSFIT RECEP	
					0° ± 2°			product family	
				dr	Ryan.Yuan 11/1/05	MM		PwrBlade	
				enr	Sally.Luo 11/1/05	1:1		code	
				chr	VICTOR LIN 11/1/05	A		213	
				appd	JOSEPH HSIA 11/1/05	size		sheet	
sheet index		revision sheet				A		2	
						51940-173			

A

A

B

B

1 | 2

3 |

4

1 | 2

Pro/E

PDM: Rev: B

STAT: Released

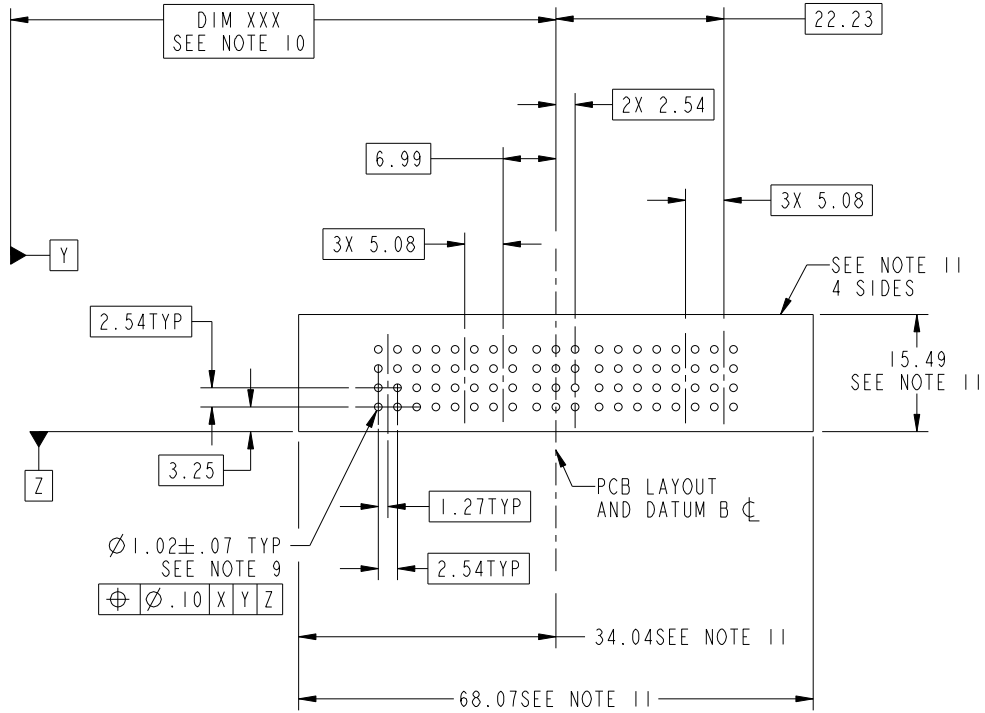
Printed: Dec 20, 2010

Tous droits strictement réservés. Reproduction ou communication a des tiers interdite sous quelque forme que ce soit sans autorisation écrite du propriétaire. Propriété de c.FCI. Droits de reproduction FCI.

All rights strictly reserved. Reproduction or issue to third parties in any form whatever is not permitted without written authority from the proprietor. Property of FCI. Copyright FCI.



PRODUCT NUMBER  
51940-173--  
NOTE: 3



mat'l code		SEE NOTE		tolerances unless otherwise specified		CUSTOMER		 www.fciconnect.com	
lir	ecn no.	dr	date	linear	0.X ± 0.5	COPY		title	
B					0.XX ± 0.25	projection		4P + 12S + 4P	
				angles	0.XXX ± 0.10			VERTICAL PRESSFIT RECEIPT	
					0° ± 2°			product family	
				dr	Ryan.Yuan 11/1/05	MM		PwrBlade	
				enr	Sally.Luo 11/1/05			code	
				chr	VICTOR LIN 11/1/05	1:1		213	
				appd	JOSEPH HSIA 11/1/05	A		sheet	
sheet index		revision sheet						3	
								51940-173	

cage code 22526

Pro/E

PDM: Rev: B

STATUS: Released

Printed: Dec 20, 2010

Tous droits strictement reserves. Reproduction ou communication a des tiers interdite sous quelque forme que ce soit sans autorisation ecrite du proprietaire. Propriete de c.FCI. Droits de reproduction FCI.

All rights strictly reserved. Reproduction or issue to third parties in any form whatever is not permitted without written authority from the proprietor. Property of FCI. Copyright FCI.



1 | 2

3

4

PRODUCT NUMBER

51940-173--  
NOTE: 3

NOTES:

1. DIMENSIONS AND TOLERANCES ARE IN ACCORDANCE WITH ASME Y14.5M, 1994 UNLESS OTHERWISE SPECIFIED.

CONNECTOR NOTES:

② HOUSING MATERIAL: UL 94 V-0 GLASS FILLED HIGH-TEMP THERMOPLASTIC

POWER CONTACT MATERIAL: COPPER ALLOY  
SIGNAL PIN MATERIAL: COPPER ALLOY

⚠ 3. PLATING:  
SEE ITEM 788 IN PRINT 10064183 FOR PLATING SPEC OF 51940-173; 51940-173LF PRESPECTIVELY.

④ MANUFACTURER'S NAME, P/N, AND DATE CODE TO APPEAR ON THIS SURFACE.

5. PRODUCT SPECIFICATION GS-12-149.  
APPLICATION SPECIFICATION BUS-20-067.  
6. PACKAGED IN TRAYS.

PCB NOTES:

7. ALL HOLE DIAMETERS ARE FINISHED HOLE SIZE.

⑧ MOUNTING HOLES, WHERE APPLICABLE, ARE UNPLATED.

⑨  $\varnothing 1.151 \pm 0.025$  DRILLED HOLES PLATED WITH  
0.008 MIN SnPb OR Sn OVER 0.03  
TO 0.08 Cu PLATING TO ACHIEVE  
 $\varnothing 1.02 \pm 0.07$  HOLE.

⑩ "DIM XXX" TO BE DETERMINED BY THE CUSTOMER.

⑪ CONNECTOR KEEP-OUT ZONE.

12 SYMBOL WILL BE NEXT TO ANY DIMENSION, VIEW, OR NOTE WHICH HAS BEEN MODIFIED WITH THE CURRENT DRAWING REVISION.

mat'l code		SEE NOTE		tolerances unless otherwise specified		CUSTOMER				www.fciconnect.com	
lir	ecm no.	dr	date	linear	0.X ± 0.5		COPY		title 4P + 12S + 4P VERTICAL PRESSFIT RECEIPT		
B					0.XX ± 0.25		projection				
					0.XXX ± 0.10						
				angles	0° ± 2°				product family PwrBlade code 213		
				dr	Ryan.Yuan	11/1/05	MM		size	dwg no	sheet
				enrg	Sally.Luo	11/1/05	←→		A	51940-173	4
				chr	VICTOR LIN	11/1/05	scale				
				appd	JOSEPH HSIA	11/1/05	1:1				
sheet index	revision sheet										

1 | 2

Pro/E

PDM: Rev:B

STATUS: Released

Printed: Dec 20, 2010

cage code 28506

4