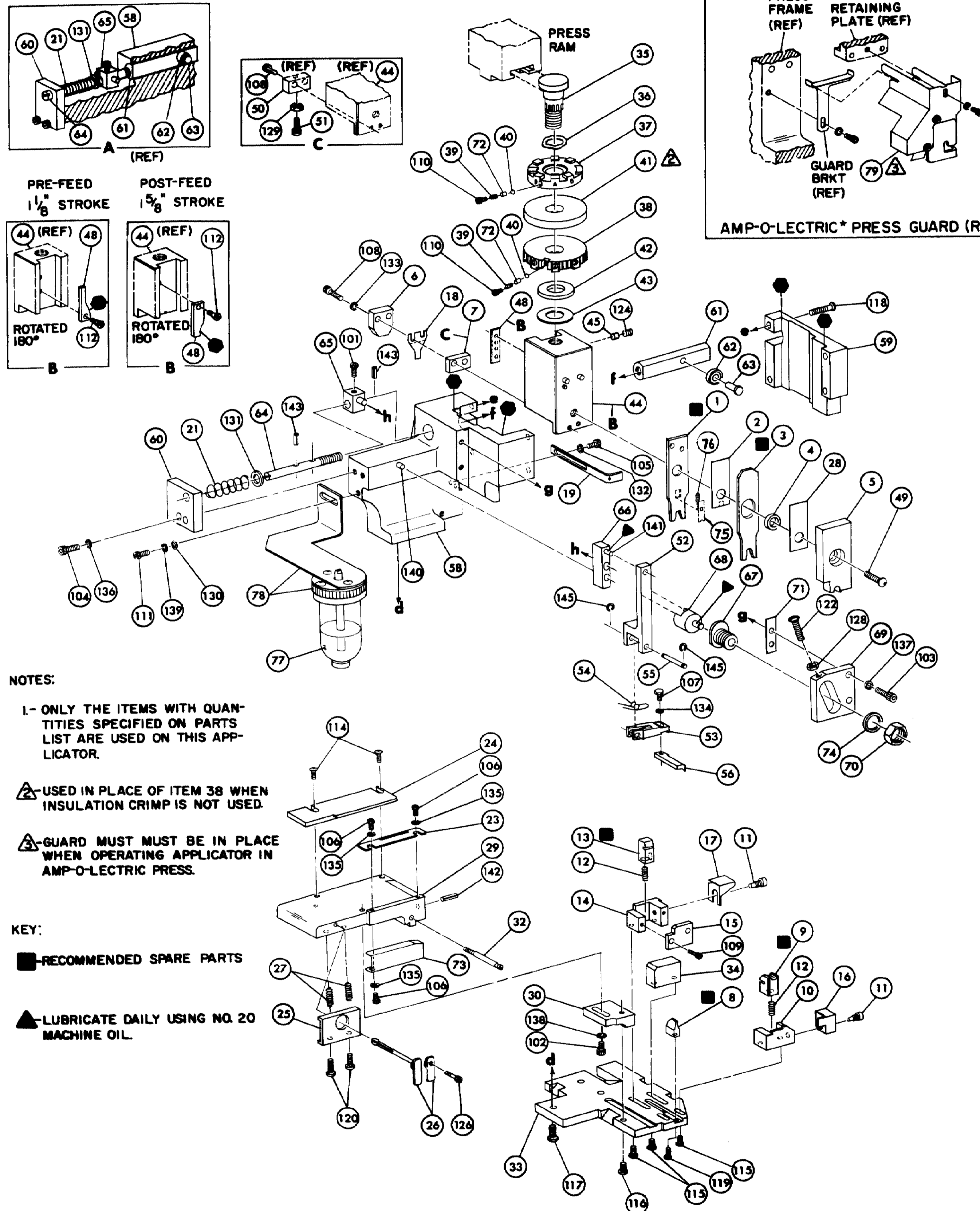


THIS INFORMATION IS CONFIDENTIAL AND IS DISCLOSED TO YOU ON CONDITION THAT NO FURTHER DISSEMINATION BE MADE WITHOUT WRITTEN AUTHORIZATION FROM AMP INCORPORATED, HARRISBURG, PA.



NOTES:

1- ONLY THE ITEMS WITH QUANTITIES SPECIFIED ON PARTS LIST ARE USED ON THIS APPLICATOR.

▲ USED IN PLACE OF ITEM 38 WHEN INSULATION CRIMP IS NOT USED.

▲ GUARD MUST BE IN PLACE WHEN OPERATING APPLICATOR IN AMP-O-LECTRIC PRESS.

KEY:

■ RECOMMENDED SPARE PARTS

▲ LUBRICATE DAILY USING NO. 20 MACHINE OIL.

QTY	PART NO	DESCRIPTION	ITEM NO
2	21045-3	RING, RETAINING 'C' (.187 DIA) FEED FINGER PIN	145
1	454220-1	CAP, HOUSING	59
1	454485-1	HOUSING	58
2	5-21028-1	PIN, SLOT SPR (.125 DIA X .50) ADJ ROD	144
1	4-21028-0	PIN, SLOT SPR (.093 DIA X .75) STR G PLATE	143
1	1-21030-1	PIN, DOWEL (.187 DIA X .50) LEVER	141
1	1-21030-6	PIN, DOWEL (.187 DIA X 1.25) HOUSING	140
1	21024-5	WASHER, LOCK (NO 10) LUB ASSY	139
1	21024-5	WASHER, LOCK (NO 10) STRIP GUIDE ADJ BLOCK	138
2	21024-5	WASHER, LOCK (NO 10) ADJ PLATE	137
2	21024-5	WASHER, LOCK (NO 10) FEED GUIDE ROD	136
3	21057-2	WASHER, LOCK (NO 4) FRONT STRIP GUIDE	135
1	21024-4	WASHER, LOCK (NO 8) FEED FINGER	134
1	21024-4	WASHER, LOCK (NO 8) DEPRESSOR	133
1	21024-4	WASHER, LOCK (NO 8) STRIPPER	132
1	21899-4	WASHER, FLAT (5/16 DIA) SCREW ADJ	131
1	21899-2	WASHER, FLAT (NO 10) LUB ASSY	130
1	21068-5	NUT, HEX MACH (6-32) HOLDDOWN	129
1	21068-5	NUT, HEX MACH (6-32) FEED ADJ	128
1	22353-8	SCR, SHLD (.187 DIA X .250 LG) DRAG LEVER	127
1	21009-2	SCR, SKT SET (1/4-20 X .25) (LOC-WEL) RAM	126
1	6-23715-4	SCR, PAM HD MACH (6-32 X 1.25) FEED ADJ	125
2	3-21002-0	SCR, BUT HD SKT CAP (10-32 X .28) DRAG	124
1	22733-8	SCR, BUT HD SKT CAP (8-32 X .38) (LOC-WEL) ANVIL	123
4	2-21002-9	SCR, BUT HD SKT CAP (10-32 X .75) CAP	122
3	2-22733-8	SCR, BUT HD SKT CAP (1/4-20 X .62) HOUSING	121
1	2-21002-7	SCR, BUT HD SKT CAP (10-32 X .50) SG ADJ BLOCK	120
2	2-21002-2	SCR, BUT HD SKT CAP (8-32 X .50) SHEAR	119
2	2-21002-2	SCR, BUT HD SKT CAP (8-32 X .50) R STRIP GUIDE	118
1	1-21002-7	SCR, BUT HD SKT CAP (6-32 X .38) CAM	117
1	3-21000-4	SCR, SKT HD CAP (10-32 X .38) LUBRICATOR ASSY	116
2	23030-1	SCR, SKT HD CAP (6-32 X .25) (LOC-WEL) CP DISC	115
1	2-22603-0	SCR, SKT HD CAP (6-32 X .31) REAR SHEAR PLATE	114
3	1-21000-3	SCR, SKT HD CAP (8-32 X .50) DEPRESSOR	113
1	2-21000-7	SCR, SKT HD CAP (10-32 X .75) FEED ROD GUIDE	112
2	3-21000-6	SCR, SKT HD CAP (10-32 X .62) FEED ADJ BLOCK	111
1	3-21000-4	SCR, SKT HD CAP (10-32 X .38) SG ADJ BLOCK	110
1	3-21000-4	SCR, SKT HD CAP (10-32 X .38) PIVOT BLOCK	109
REF	455749-1	GUARD	108
1	1-465184-0	LUBRICATOR ASSY	107
1	1-22278-9	OIL, LUBRICATING	106
1	461426-2	SPRING	105
1	458109-1	DEPRESSOR - WIRE	104
1	690603-1	WASHER, SPECIAL	103
2	690517-1	PLATE, STRIP GUIDE COVER	102
1	22594-8	SPRING, ASSIST	101
1	240628-1	SPACER	79
1	240626-1	NUT, HEX	78
1	240633-1	SPACER, DEPRESSOR (REAR)	77
1	455680-1	DEPRESSOR, SHEAR (REAR)	76
1	240629-1	NUT, HEX	75
1	240632-2	SPACER, TUBULAR, INS CRIMPER	74
1	240658-1	SHAFT, PIVOT	73
1	454398-2	BUSHING	72
1	454178-1	LEVER, INTERMEDIATE	71
1	240659-3	BLOCK, PIVOT	70
1	240658-1	SCREW, ADJUSTMENT FEED ROD	69
1	454398-2	PIN, CAM ROLLER	68
1	454178-1	ROLLER, CAM	67
1	454178-1	ROD, FEED	66
1	454178-1	GUIDE, FEED ROD	65

QTY	PART NO	DESCRIPTION	ITEM NO
1	454220-1	CAP, HOUSING	59
1	454485-1	HOUSING	58
2	5-21028-1	PIN, SLOT SPR (.125 DIA X .50) ADJ ROD	144
1	4-21028-0	PIN, SLOT SPR (.093 DIA X .75) STR G PLATE	143
1	1-21030-1	PIN, DOWEL (.187 DIA X .50) LEVER	141
1	1-21030-6	PIN, DOWEL (.187 DIA X 1.25) HOUSING	140
1	21024-5	WASHER, LOCK (NO 10) LUB ASSY	139
1	21024-5	WASHER, LOCK (NO 10) STRIP GUIDE ADJ BLOCK	138
2	21024-5	WASHER, LOCK (NO 10) ADJ PLATE	137
2	21024-5	WASHER, LOCK (NO 10) FEED GUIDE ROD	136
3	21057-2	WASHER, LOCK (NO 4) FRONT STRIP GUIDE	135
1	21024-4	WASHER, LOCK (NO 8) FEED FINGER	134
1	21024-4	WASHER, LOCK (NO 8) DEPRESSOR	133
1	21024-4	WASHER, LOCK (NO 8) STRIPPER	132
1	21899-4	WASHER, FLAT (5/16 DIA) SCREW ADJ	131
1	21899-2	WASHER, FLAT (NO 10) LUB ASSY	130
1	21068-5	NUT, HEX MACH (6-32) HOLDDOWN	129
1	21068-5	NUT, HEX MACH (6-32) FEED ADJ	128
1	22353-8	SCR, SHLD (.187 DIA X .250 LG) DRAG LEVER	127
1	21009-2	SCR, SKT SET (1/4-20 X .25) (LOC-WEL) RAM	126
1	6-23715-4	SCR, PAM HD MACH (6-32 X 1.25) FEED ADJ	125
2	3-21002-0	SCR, BUT HD SKT CAP (10-32 X .28) DRAG	124
1	22733-8	SCR, BUT HD SKT CAP (8-32 X .38) (LOC-WEL) ANVIL	123
4	2-21002-9	SCR, BUT HD SKT CAP (10-32 X .75) CAP	122
3	2-22733-8	SCR, BUT HD SKT CAP (1/4-20 X .62) HOUSING	121
1	2-21002-7	SCR, BUT HD SKT CAP (10-32 X .50) SG ADJ BLOCK	120
2	2-21002-2	SCR, BUT HD SKT CAP (8-32 X .50) SHEAR	119
2	2-21002-2	SCR, BUT HD SKT CAP (8-32 X .50) R STRIP GUIDE	118
1	1-21002-7	SCR, BUT HD SKT CAP (6-32 X .38) CAM	117
1	3-21000-4	SCR, SKT HD CAP (10-32 X .38) LUBRICATOR ASSY	116
2	23030-1	SCR, SKT HD CAP (6-32 X .25) (LOC-WEL) CP DISC	115
1	2-22603-0	SCR, SKT HD CAP (6-32 X .31) REAR SHEAR PLATE	114
3	1-21000-3	SCR, SKT HD CAP (8-32 X .50) DEPRESSOR	113
1	2-21000-7	SCR, SKT HD CAP (10-32 X .75) FEED ROD GUIDE	112
2	3-21000-6	SCR, SKT HD CAP (10-32 X .62) FEED ADJ BLOCK	111
1	3-21000-4	SCR, SKT HD CAP (10-32 X .38) SG ADJ BLOCK	110
1	3-21000-4	SCR, SKT HD CAP (10-32 X .38) PIVOT BLOCK	109
REF	455749-1	GUARD	108
1	1-465184-0	LUBRICATOR ASSY	107
1	1-22278-9	OIL, LUBRICATING	106
1	461426-2	SPRING	105
1	458109-1	DEPRESSOR - WIRE	104
1	690603-1	WASHER, SPECIAL	103
2	690517-1	PLATE, STRIP GUIDE COVER	102
1	22594-8	SPRING, ASSIST	101
1	240628-1	SPACER	79
1	240626-1	NUT, HEX	78
1	240633-1	SPACER, DEPRESSOR (REAR)	77
1	455680-1	DEPRESSOR, SHEAR (REAR)	76
1	240629-1	NUT, HEX	75
1	240632-2	SPACER, TUBULAR, INS CRIMPER	74
1	240658-1	SHAFT, PIVOT	73
1	454398-2	BUSHING	72
1	454178-1	LEVER, INTERMEDIATE	71
1	240659-3	BLOCK, PIVOT	70
1	240658-1	SCREW, ADJUSTMENT FEED ROD	69
1	454398-2	PIN, CAM ROLLER	68
1	454178-1	ROLLER, CAM	67
1	454178-1	ROD, FEED	66
1	454178-1	GUIDE, FEED ROD	65

CRIMPING DATA				APPLICATOR WILL APPLY	
PAD LTR	CRIMP HEIGHT	WIRE SIZE	STRIP LENGTH	226286-	
A	.094	.076-086	BRAID 3/16		
B	NOT USED	(RG174)			
C	NOT USED				
D	NOT USED				
CRIMP	SIZE	TYPE	FEED	APPL INST	
WIRE	.094	O	.500	A1 8025	
INSUL	.122	O			
WIRE RANGE	.076-086	INSULATION RANGE	.094-104	PRESS NO 565435-5	
REMARKS					
AMP-O-LECTRIC PRE-FEED					
I.D. PLATE (REF): 461264-1					

REVISION RECORD	APP DATE	REVISION RECORD	APP DATE
P/LTR		P/LTR	

