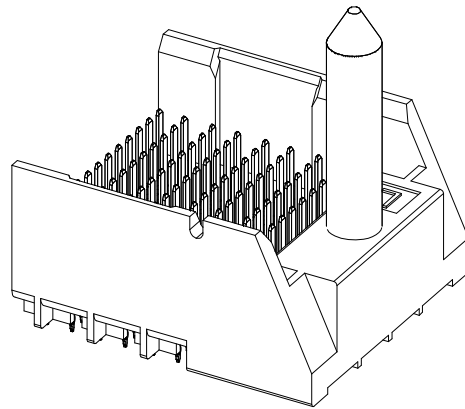


NOTES:

1. MATERIALS: HOUSING - LIQUID CRYSTAL POLYMER (LCP) GLASS-FILLED, UL94V-0
TERMINALS - HIGH PERFORMANCE COPPER ALLOY
2. FINISH: 30μ MIN GOLD IN CONTACT AREA.
SELECTIVE TIN ON PCB TAILS,
NICKEL OVERALL.
3. REFER TO MOLEX PRODUCT SPECIFICATION PS-76060-999 FOR PERFORMANCE SPECIFICATIONS AND ADDITIONAL PCB INFORMATION.
4. THIS PART CONFORMS TO CLASS B REQUIREMENTS OF MOLEX COSMETIC SPEC PS-45499-002.
5. PACKAGE PER: PK-70873-764.
6. SEE SHEETS 2 & 3 FOR PART NUMBERS AND BOARD RELATIONSHIPS.
7. MATES WITH IMPACT DC SERIES NO. 76850.
8. REFER TO MOLEX PCB ROUTING GUIDE AS-76060-990 FOR ANTIPAD AND ROUTING RECOMMENDATIONS.
9. KEEP OUT ZONE FOR BP HOUSING LENGTH INCLUDES AN ADDITIONAL 1.0MM TO ACCOMODATE FOR SPACE REQUIRED BY DC FRONT HOUSING.
10. CONNECTORS SUPPLIED WITH A 2-56 UNC-2A SCREW.

INITIAL RELEASE EC NO: UCP2013-0902 DRWINDVARVARA 2012/09/10 CHKD: JBINGHAM APPR: JBINGHAM 2012/09/24	QUALITY SYMBOLS ▽=0 ▽=0	GENERAL TOLERANCES (UNLESS SPECIFIED)		DIMENSION STYLE MM ONLY	SCALE 4:1	DESIGN UNITS METRIC	THIRD ANGLE PROJECTION
		4 PLACES ± --- ± --- 3 PLACES ± --- ± --- 2 PLACES ± 0.13 ± --- 1 PLACE ± 0.25 ± --- ANGULAR ± 1/2°	DRAWN BY JMENDOZA DATE 2010/04/01	CHECKED BY JBINGHAM DATE 2010/04/01	APPROVED BY JBINGHAM DATE 2012/09/24	TITLE IMPACT ORTHO ROUTABLE 4 PAIR HEADER ASSEMBLY LEFT GUIDE SALES DRAWING	MOLEX MOLEX INCORPORATED
DRAFT WHERE APPLICABLE MUST REMAIN WITHIN DIMENSIONS	SIZE C	THIS DRAWING CONTAINS INFORMATION THAT IS PROPRIETARY TO MOLEX INCORPORATED AND SHOULD NOT BE USED WITHOUT WRITTEN PERMISSION					

MATERIAL NUMBER	# OF COLUMNS	# OF DIFF PAIR	DIM "A"	DIM "B"	MODULE TYPE
76849-780*	8	32	24.3	14.05	WITH ENDWALL
76849-380*	8	32	22.9	14.05	NO ENDWALL



GUIDE LEFT OPEN END

76849-***0*

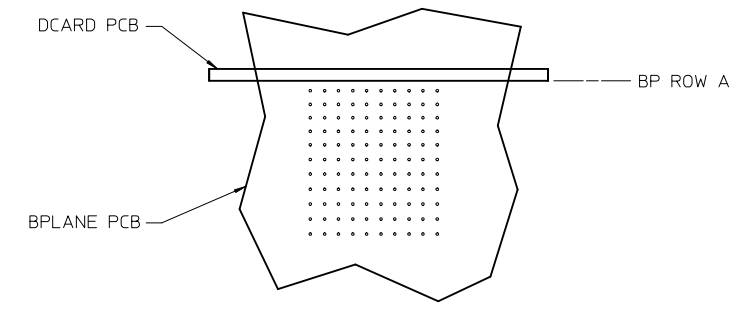
MODULE TYPE
 3 = GUIDE LEFT NO ENDWALL, TIN
 7 = GUIDE LEFT ENDWALL, TIN

OF COLUMNS
 8 = 8 COLUMN

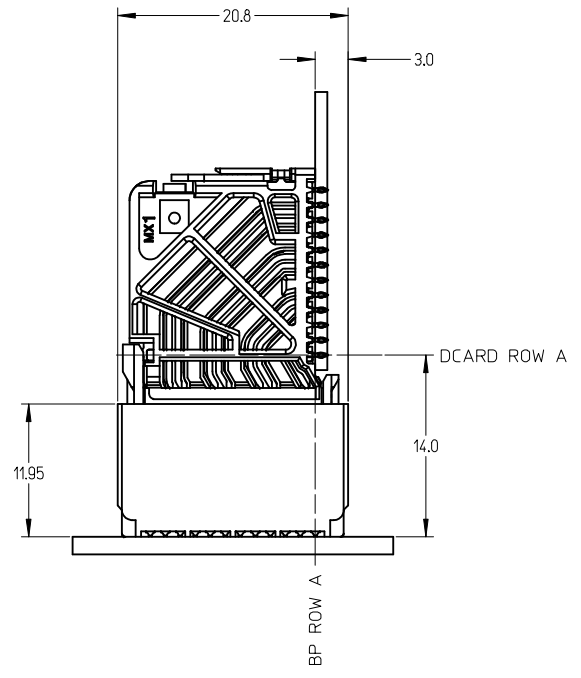
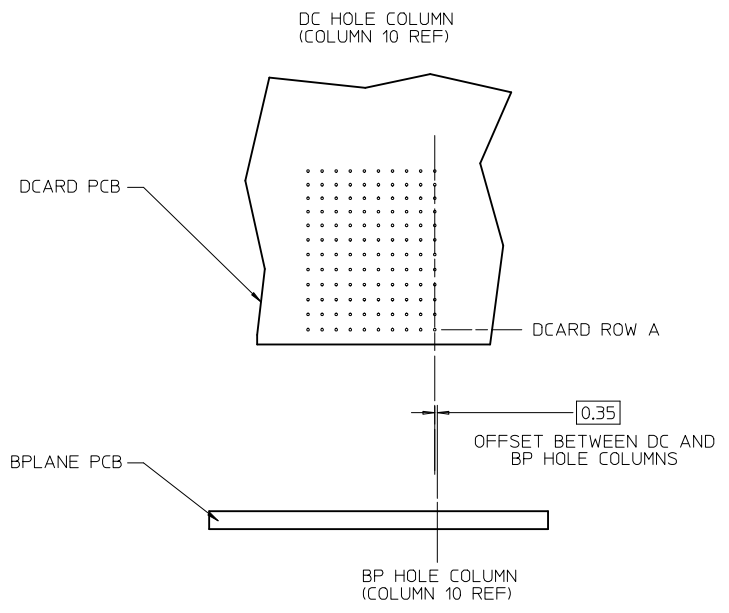
PIN LENGTH (P)
 4 = 4.90, (0.46 PTH)
 5 = 5.50, (0.46 PTH)
 7 = 4.90, (0.39 PTH)
 8 = 5.50, (0.39 PTH)

INITIAL RELEASE EC NO: UCP2013-0902 DRWINDYARVARA 2012/09/10 CHKD: APPR: JB INGHAM 2012/09/24	QUALITY SYMBOLS 	GENERAL TOLERANCES (UNLESS SPECIFIED)		DIMENSION STYLE MM ONLY	SCALE 4:1	DESIGN UNITS METRIC	THIRD ANGLE PROJECTION		
		4 PLACES ± --- ± ---	3 PLACES ± --- ± ---	2 PLACES ± 0.13 ± ---	1 PLACE ± 0.25 ± ---	DRAWN BY JMENDOZA	DATE 2010/04/01	TITLE IMPACT ORTHO ROUTABLE 4 PAIR HEADER ASSEMBLY LEFT GUIDE SALES DRAWING	
		ANGULAR ± 1/2°		DRAFT WHERE APPLICABLE MUST REMAIN WITHIN DIMENSIONS		CHECKED BY JB INGHAM	DATE 2010/04/01	MOLEX INCORPORATED	
						APPROVED BY JB INGHAM	DATE 2012/09/24	DOCUMENT NO. SD-76849-0002	SHEET NO. 2 OF 3

THIS DRAWING CONTAINS INFORMATION THAT IS PROPRIETARY TO MOLEX INCORPORATED AND SHOULD NOT BE USED WITHOUT WRITTEN PERMISSION



IMPACT ORTHO 4 PAIR
BOARD RELATIONSHIPS



INITIAL RELEASE EC NO: UCP2013-0902 DRAWN: DVARVARA 2012/09/10 CHKD: APPR: JB INGHAM 2012/09/24	DESCRIPTION REV A	QUALITY SYMBOLS	GENERAL TOLERANCES (UNLESS SPECIFIED)	DIMENSION STYLE	SCALE	DESIGN UNITS	THIRD ANGLE PROJECTION	
		$\nabla=0$ $\nabla=0$	mm INCH 4 PLACES ± --- ± --- 3 PLACES ± --- ± --- 2 PLACES ± 0.13 ± --- 1 PLACE ± 0.25 ± --- ANGULAR ± 1/2°	MM ONLY	3:1	METRIC	DRAWN BY: JMENDOZA DATE: 2010/04/01 CHECKED BY: JB INGHAM DATE: 2010/04/01 APPROVED BY: JB INGHAM DATE: 2012/09/24 MATERIAL NO.	TITLE: IMPACT ORTHO ROUTABLE 4 PAIR HEADER ASSEMBLY LEFT GUIDE SALES DRAWING MOLEX INCORPORATED DOCUMENT NO. SD-76849-0002 SHEET NO. 3 OF 3
		DRAFT WHERE APPLICABLE MUST REMAIN WITHIN DIMENSIONS	SEE CHART	THIS DRAWING CONTAINS INFORMATION THAT IS PROPRIETARY TO MOLEX INCORPORATED AND SHOULD NOT BE USED WITHOUT WRITTEN PERMISSION				
		SIZE C						