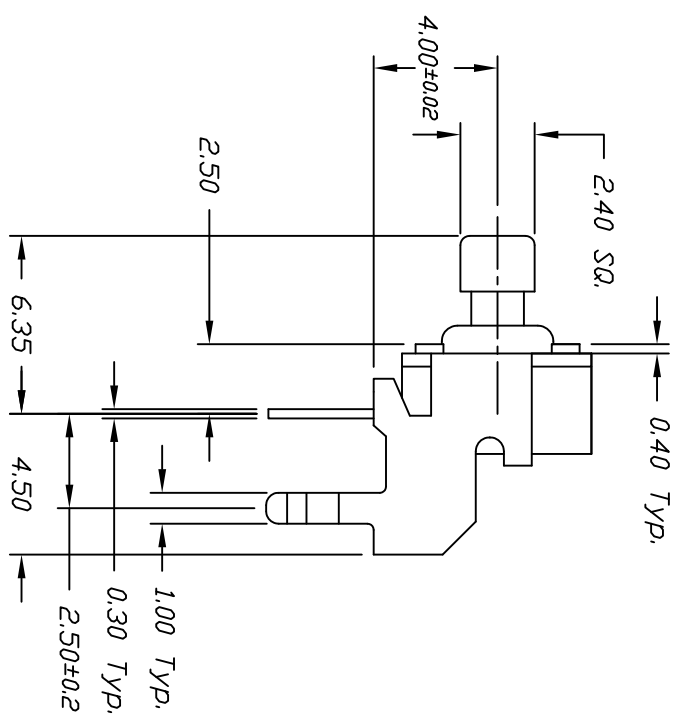
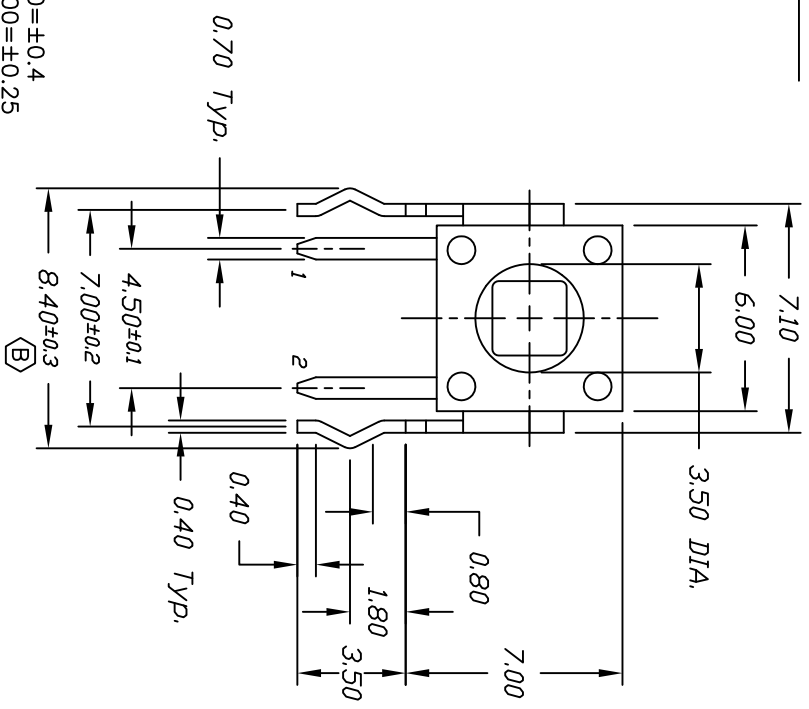
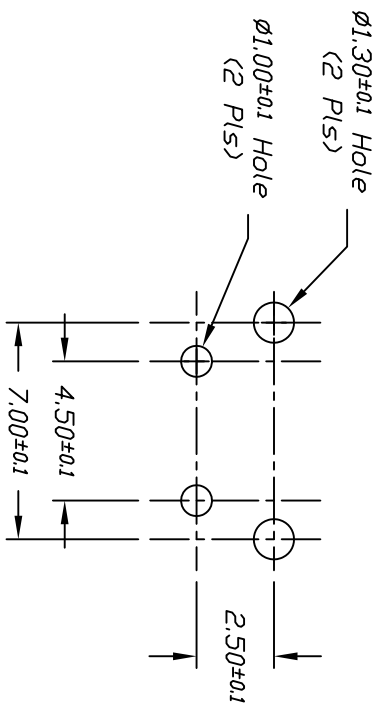
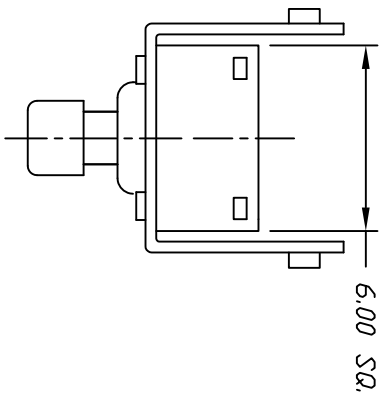


CIRCUIT: SPST

CONTACT CONFIGURATION



- NOTES:
1. ALL DIMENSIONS IN MM
 2. GENERAL TOLERANCE: 0.0=±0.4
0.00=±0.25
 3. TERM. NOS. FOR REF. ONLY
 4. RATING: 50mA, @12VDC
 5. TRAVEL TO MAKE: 0.25±0.1mm
 6. OPERATING FORCE: 160±50gf.
 7. CONTACT RESISTANCE: 100 milli-ohms typical
 8. LIFE: 100,000 CYCLES MIN.

B	19502	ADDED TOLERANCE	12/07/10	BA
A		RELEASED FOR PRODUCTION		
REV.	ECN No.	DESCRIPTION	DATE	CHKD

TITLE		SCALE		DATE		DR		DWG		REV	
TL 1105J F160 Q (Std. Bracket)		4:1		10/9/98		MM		P020202		B	



THE INFORMATION CONTAINED IN THIS DOCUMENT IS PROPRIETARY TO E-SWITCH AND IS NOT TO BE COPIED OR TRANSFERRED