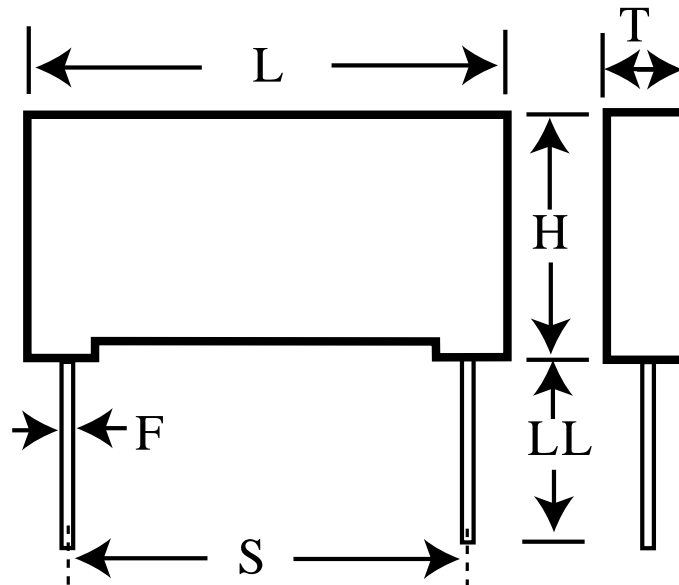


PHE840EY7100MD16R06L2

aka F840DT105M300C

Capacitor, film, 1 uF, +/-20% Tol, -55/+105C, Safety: X2, 300VAC, Lead Spacing=22.5 mm



Dimensions (mm)

Specifications

| ID | Dimension | Tolerance | Manufacturer: | KEMET |
|----|-----------|-----------|------------------------------|--|
| L | 26 | max | Brand: | Rifa |
| H | 21.5 | max | Capacitance: | 1 uF |
| T | 11 | max | Temperature Range: | -55/+105C |
| S | 22.5 | +/-0.4 | Rated Temperature: | 105C |
| LL | 6 | nom | Voltage @ rated temp: | 760V |
| F | 0.8 | nom | Voltage AC: | 300VAC |
| | | | Tolerance: | +/-20% |
| | | | Body Type: | Radial Box |
| | | | Construction: | Wound |
| | | | Application: | Safety: X2 |
| | | | Dissipation Factor @ 1 kHz: | 0.1% |
| | | | Dissipation Factor @ 10 kHz: | 0.4% |
| | | | Insulation Resistance: | 10 GOhm |
| | | | Maximum dVdT: | 100v/us |
| | | | UL_1414: | 250V |
| | | | UL_1283: | 300V |
| | | | IEC_60384-14: | 300V |
| | | | EN_132400: | 300V |
| | | | C_22.2_NO.1: | 250V |
| | | | C_22.2_NO.8: | 300V |
| | | | Miscellaneous Electrical: | UL/CSA VAC= 280; fo= &DD2&"MHz series(PHE840E) |
| | | | Package Kind: | Bulk |
| | | | Package Type: | Tray |
| | | | Package Quantity: | 253 |