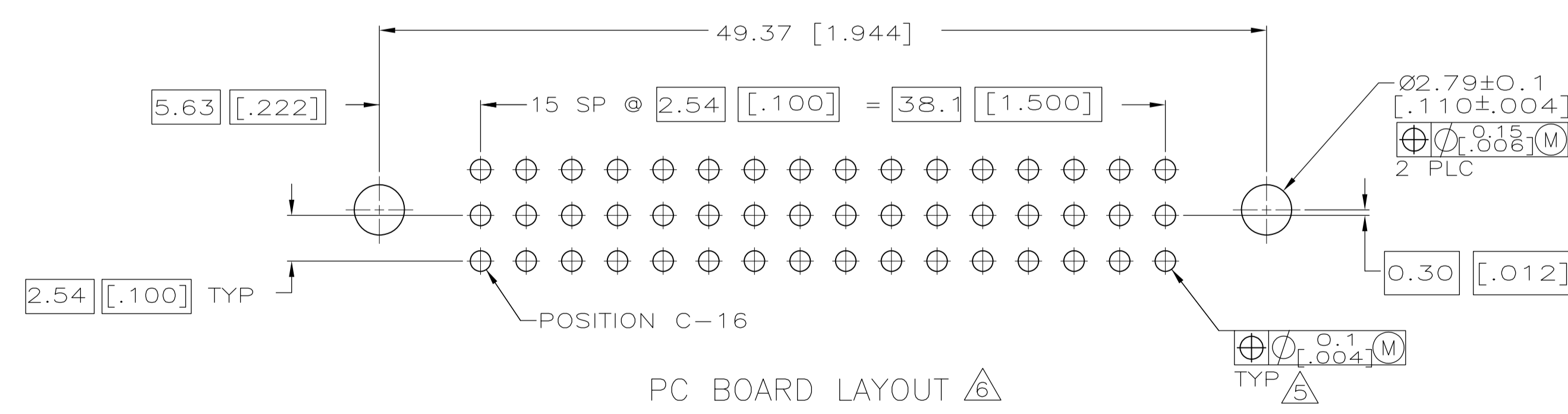
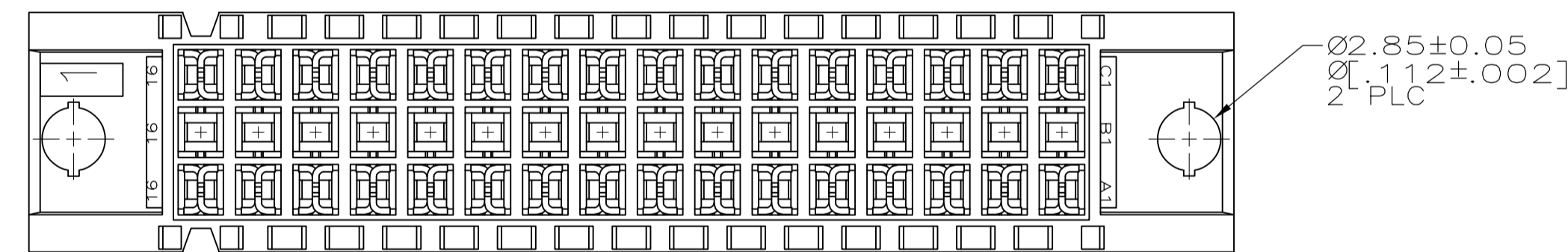
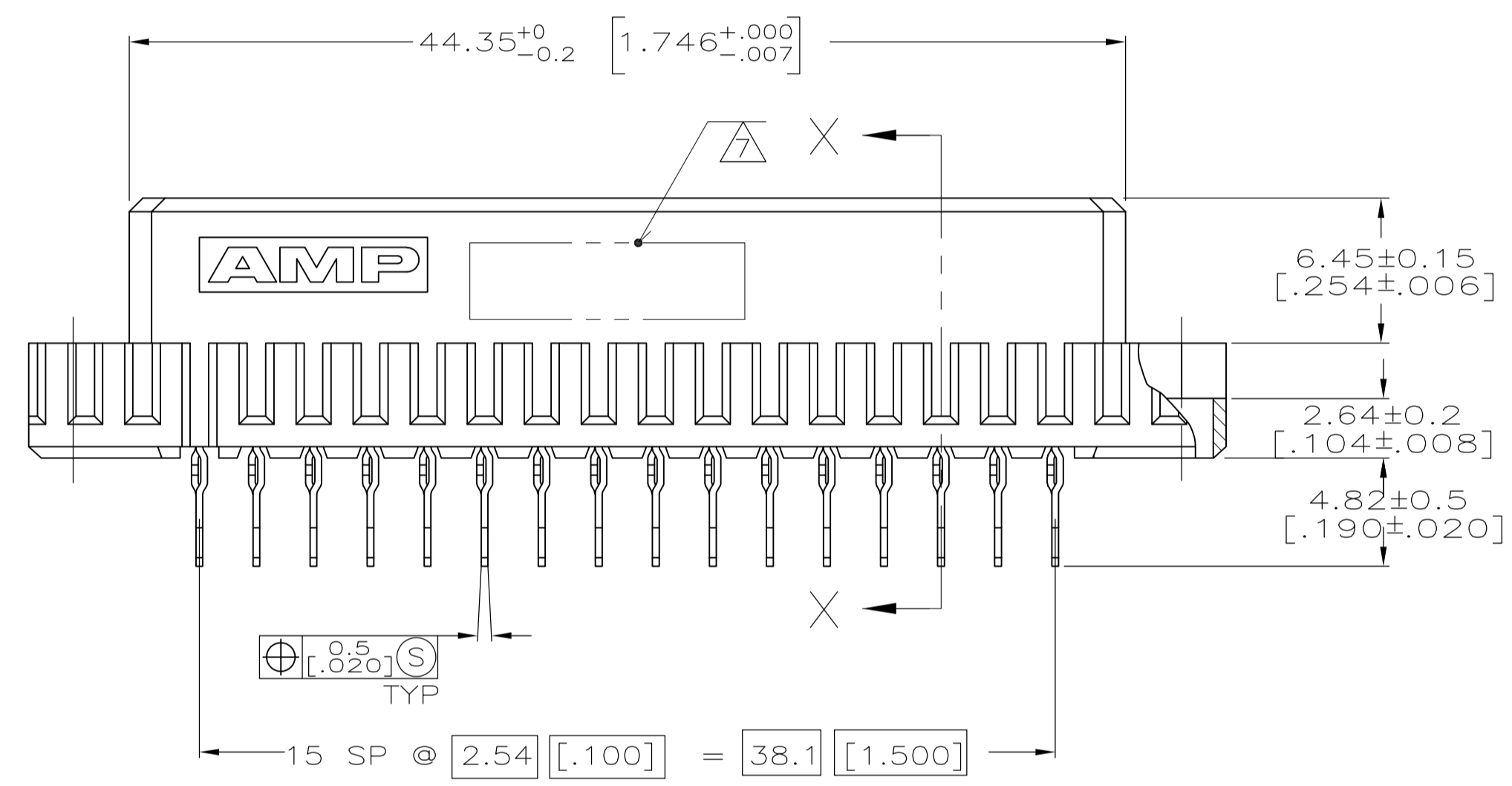
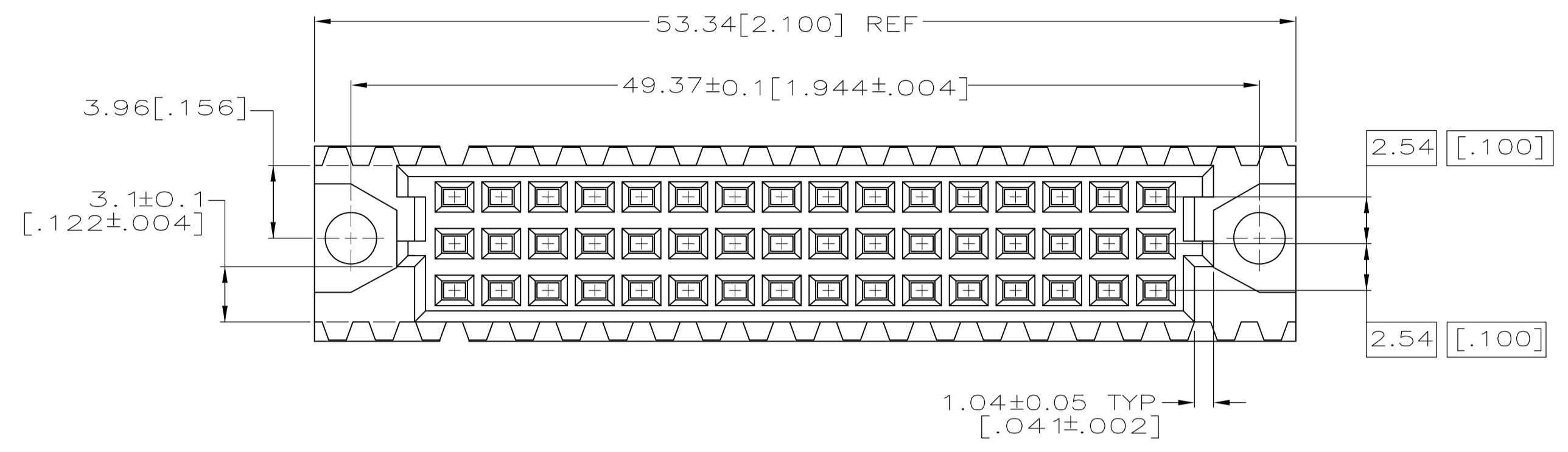
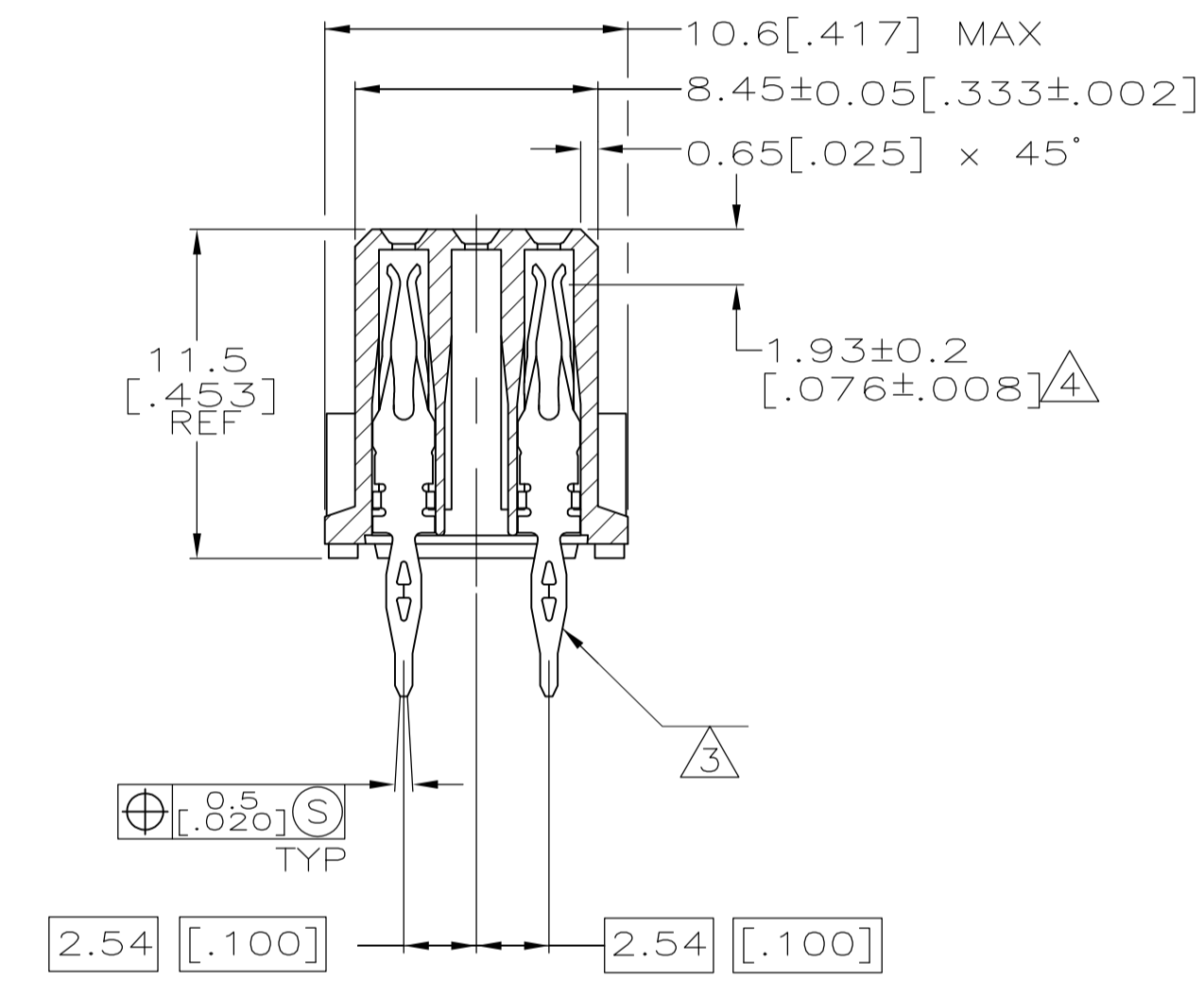


LOC		DIST		REVISIONS			
P	LTR	DESCRIPTION	DATE	DMN	APVD		
A		RELEASE PER ECO-12-002590	20FEB2012	WS	RP		



- △ HOUSING MATERIAL: GLASS-FILLED POLYMER.
- △ CONTACT MATERIAL: COPPER ALLOY.
- △ CONTACT FINISH: DIN 41612 CLASS 2 IN CONTACT AREA. TIN PLATE ON TAILS.
- △ CONTACT POINT.
- △ ACTION PIN POSTS REQUIRE 1.57 [0.062] MIN THICK PC BOARD. RECOMMENDED PC BOARD HOLES ARE Ø1.151 ± 0.2 [0.0453 ± .001] DRILLED HOLE WITH 0.2-0.07 [0.001-.003] COPPER AND 0.008 [0.0003] MIN TIN-LEAD PLATING. FINISHED HOLE AFTER PLATING, Ø0.94-1.09 [0.037-.043].
- △ CENTER ROW OF PLATED THRU HOLES NOT REQUIRED FOR THIS CONNECTOR LOAD PATTERN.
- △ PART NUMBER, DATE CODE IDENTIFICATION, CSA LOGO IN THIS APPROXIMATE AREA, ON REVERSE SIDE.
- △ OBSOLETE PARTS: OBSOLETE CIS STREAMLINING PER D.RENAUD/D.SINISI



SECTION X-X

NOTES	POSITIONS LOADED	ROWS LOADED	NO. OF LOADED POSITION	ASSY PART NUMBER
△ OBSOLETE	1 THRU 16	X - X	32	5535068-5
	1 THRU 16	X - X	32	5535068-4

THIS DRAWING IS A CONTROLLED DOCUMENT.		DIN	POLIGNONE	03JUN05
DIMENSIONS: mm [INCHES]		SHARP	SHARP	03JUN05
TOLERANCES UNLESS OTHERWISE SPECIFIED:		APPROX	SHARP	03JUN05
0 PLC	± -	NAME		
1 PLC	± -	ASSEMBLY RECEPTACLE EUROCARD, 1/2C,		
2 PLC	± 0.13 [0.005]	A and C, 32/48 POSITION,		
3 PLC	± -	4.83 [0.190] TOOLLESS, PRESS-FIT,		
4 PLC	± -	SIZE	CAGE CODE	DRAWING NO
ANGLES	± -	A1	00779	5535068
MATERIAL	FINISH	WEIGHT	RESTRICTED TO	
			CUSTOMER DRAWING	SCALE 4:1 SHEET 1 OF 1 REV A