

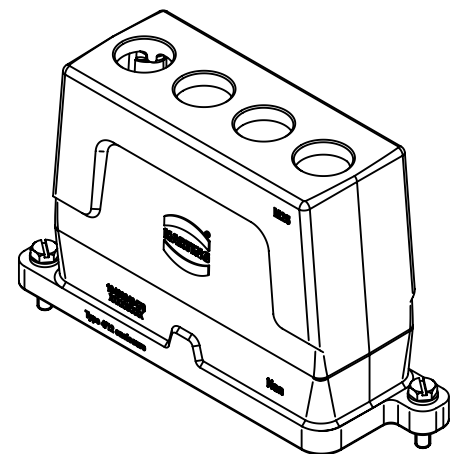
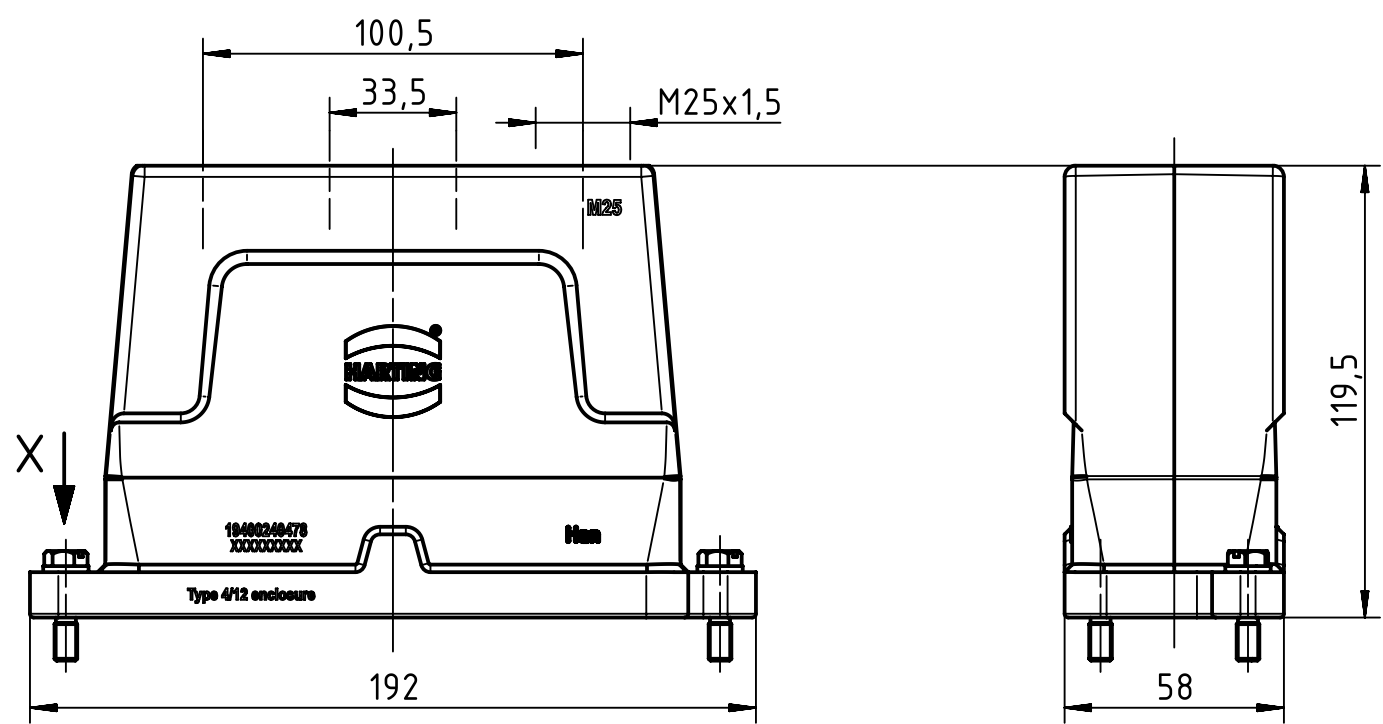
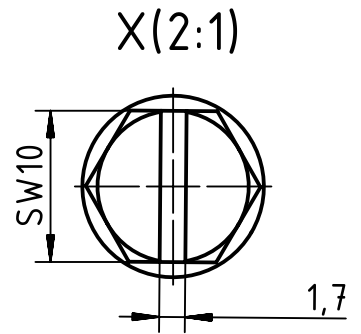
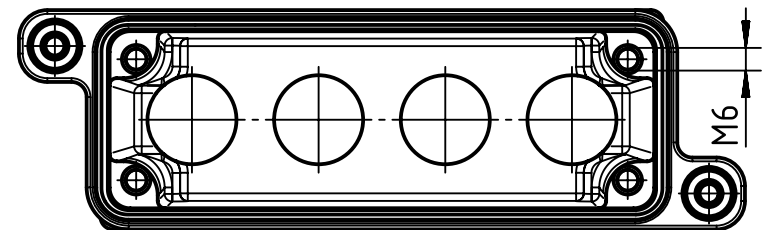
1 2 3 4 5 6


A

B

C

D



|   |  |  |   |                          |                             |  |
|---|--|--|---|--------------------------|-----------------------------|--|
|  | All Dimensions in mm<br>Original Size DIN A4 |  | Scale<br>1:2                                    | Free size tol.           |                             | Ref.   |
|   | All rights reserved<br>Department EL PD - DE |  | Created by<br>QUADE                             | Inspected by<br>BERGHORN | Standardisation<br>TIEMANNA | Sub.   |
| HARTING Electric GmbH & Co. KG<br>D-32339 Espelkamp                                 |  |  | Title<br><b>Han 24HPR-enlarged-HTE-SL-4xM25</b> |                          |                             | Date<br>2016-05-18                                       |
|   |  |  | Type<br>TB                                      | Number<br>19 40 024 0478 |                             | State<br>Final Release                                   |
|   |  |  |   |                          |                             | Doc-Key / ECM-Nr.<br>100221333/UGD/004/C<br>500000103919 |
|   |  |  |   |                          |                             | Rev. <b>C</b>  |
|   |  |  |   |                          |                             | Page<br>1/1  |