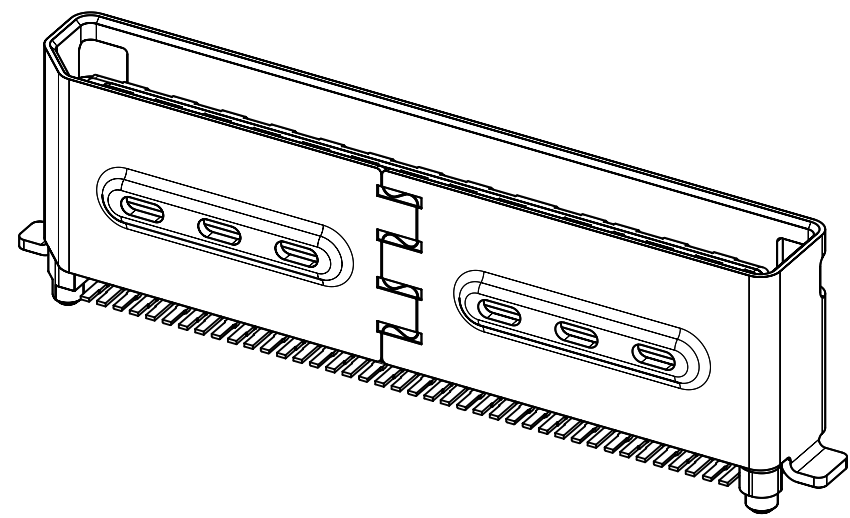
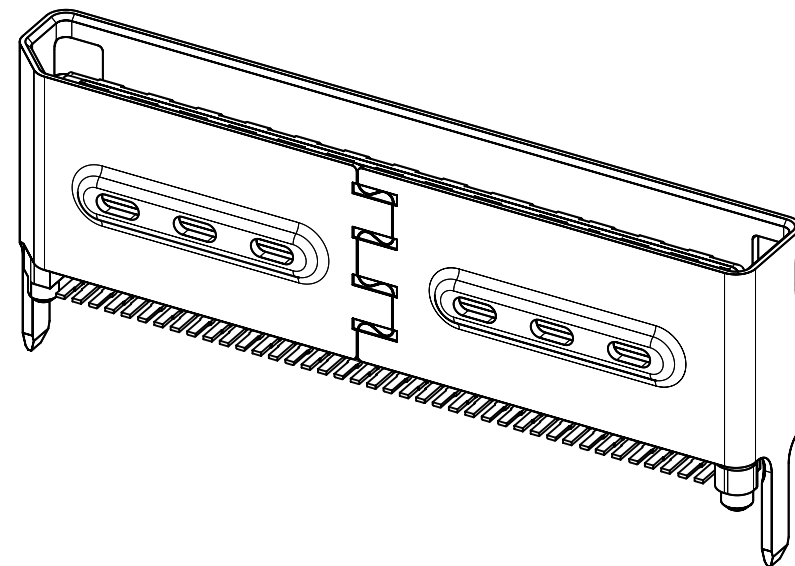


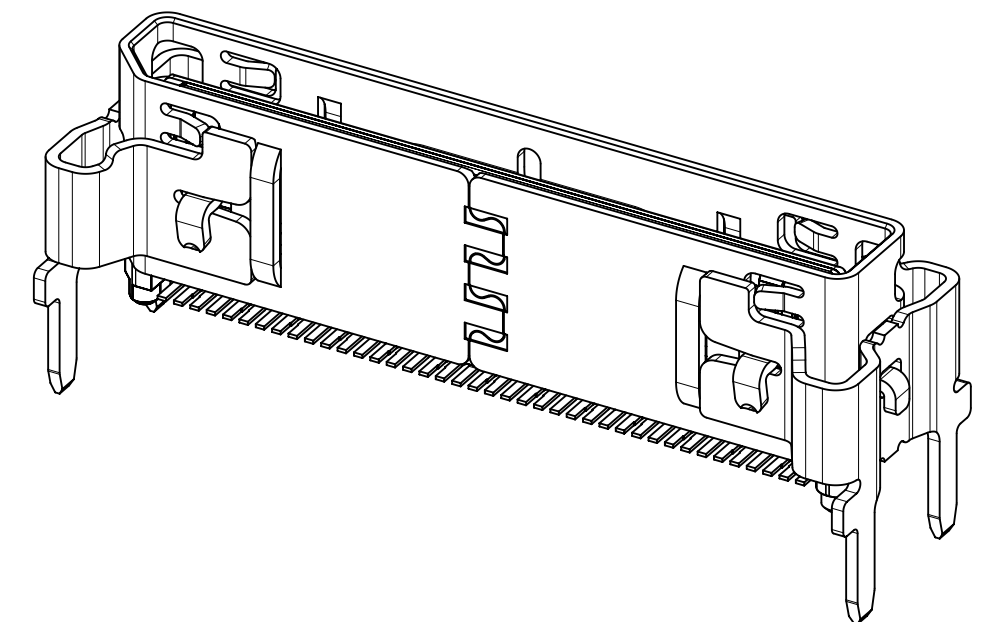
STATUS	MATERIAL NUMBER	GND TERMINAL OPTION	PICK AND PLACE CAP COLOR	DIM 'T'
TOOLED	173162-0331	SMT	N/A	N/A
TOOLED	173162-0332	TAIL	N/A	3.00
TOOLED	173162-0333	SMT	BLACK	N/A
TOOLED	173162-0334	TAIL	BLACK	3.00
NOT TOOLED	173162-0335	TAIL	BLACK	2.36
NOT TOOLED	173162-0336	TAIL	BLACK	1.57
TOOLED	173162-0338	XD	BLACK	3.00
NOT TOOLED	173162-0339	XD	BLACK	2.36
NOT TOOLED	173162-0340	XD	BLACK	1.57



80 CIRCUIT SMT



80 CIRCUIT TAIL



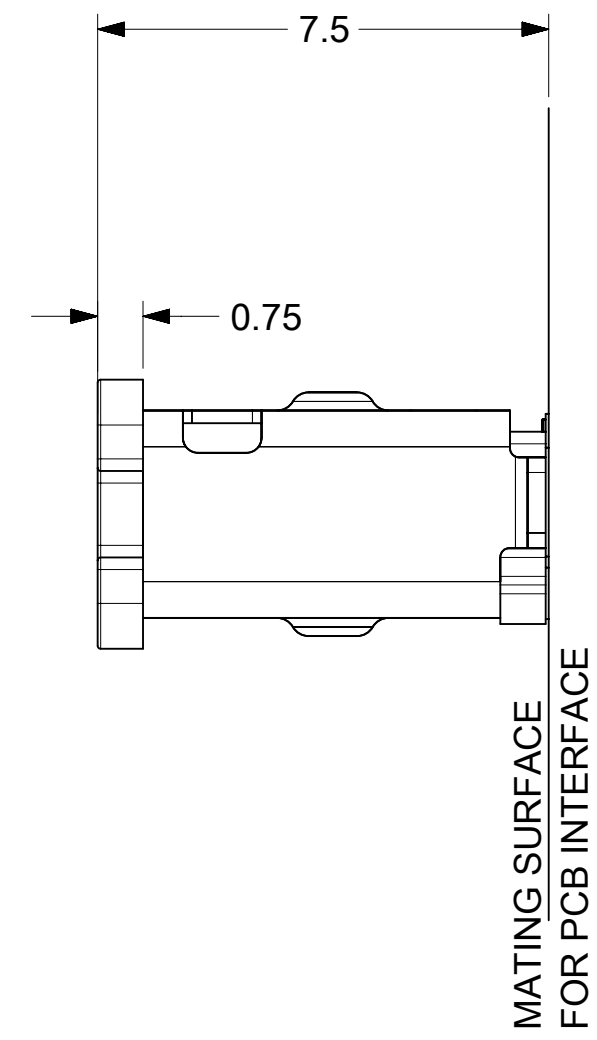
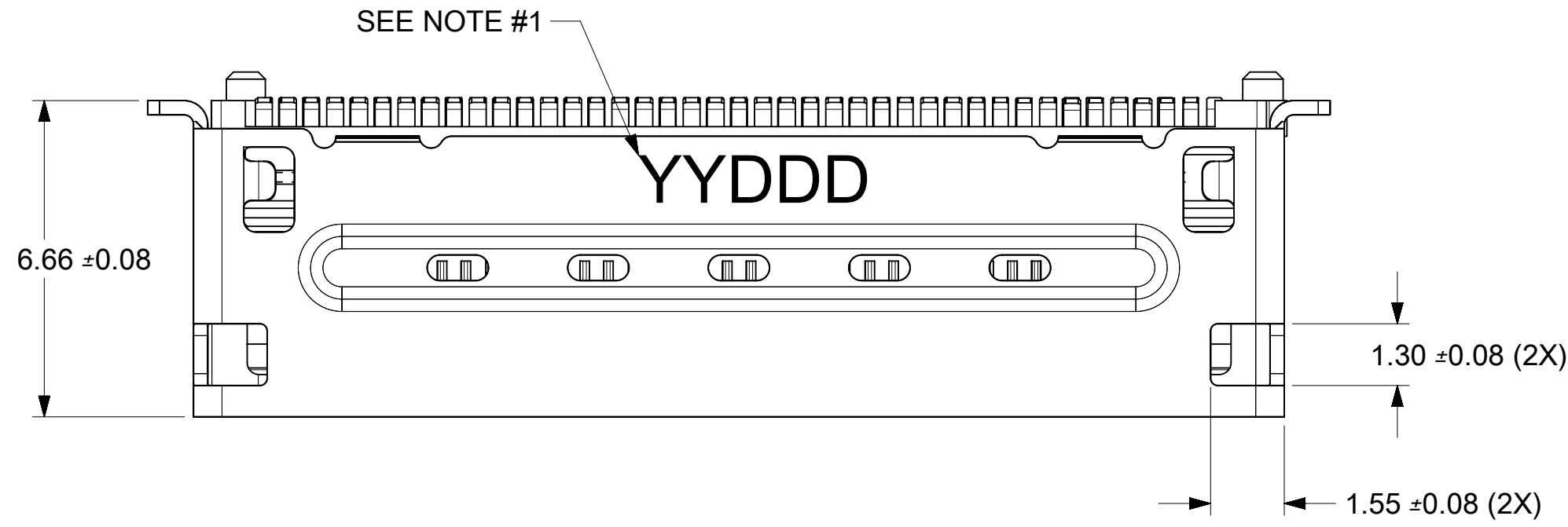
80 CIRCUIT XD

NOTES:

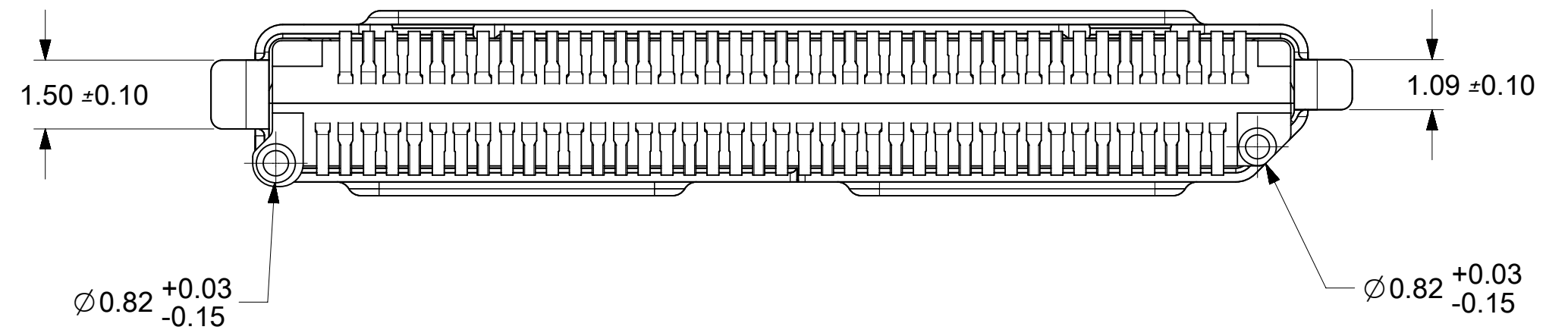
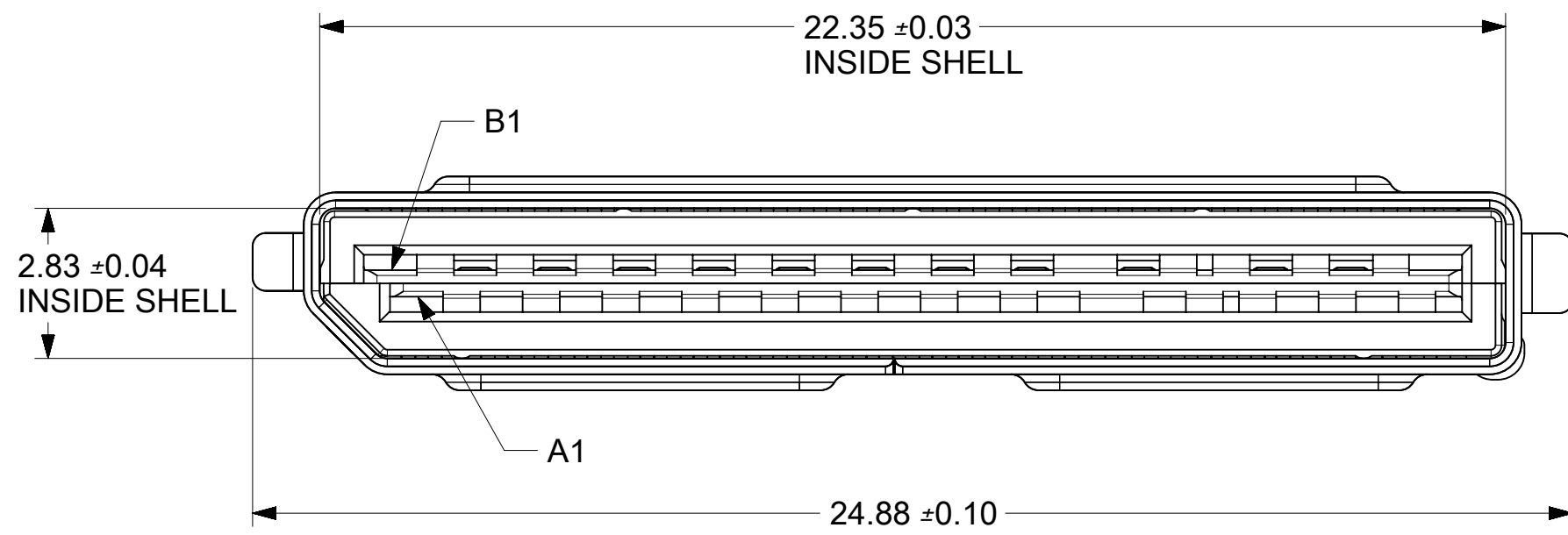
- MATERIALS:**  
HOUSING - GLASS FILLED THERMOPLASTIC, 94V-0  
CONTACTS - HIGH PERFORMANCE COPPER ALLOY  
SHIELD - STAINLESS STEEL
- FINISH:**  
CONTACTS - 0.76µm MIN. GOLD MATING SIDE  
2.54µm TIN ON SOLDER TAILS  
2.0µm MIN. NICKEL UNDERPLATE OVERALL  
  
SHIELD - MATTE TIN OVER 1.27µm MIN. NICKEL
- PRODUCT SPECIFICATION:** PS-173162-0001
- PACKAGING SPECIFICATION:** PK-173307-0001
- MATES WITH:** MOLEX CABLE SERIES 200226 OR 200227  
PER INDUSTRY STANDARD PCIe OCuLink 1.0, SFF-8611
- APPLICATION SPECIFICATION:** AS-173162-0001
- COSMETIC SPECIFICATION:** PS-45499-002, CLASS B
- DATE CODE TO BE LOCATED APPROXIMATELY AS SHOWN, DATE CODE TO SHOW THE DATE AND YEAR OF ASSEMBLY (DDYY OR YYDD)**

THIS DRAWING CONTAINS INFORMATION THAT IS PROPRIETARY TO MOLEX ELECTRONIC TECHNOLOGIES, LLC AND SHOULD NOT BE USED WITHOUT WRITTEN PERMISSION										
REMASTERED IN ECTR EC NO: 167964 DRWN: MJANTELEZIO CHKD: CCHEN103 REV / APPR: JKACHLIC	GENERAL TOLERANCES (UNLESS SPECIFIED)		DIMENSION UNITS		SCALE		 NANO PITCH I/O FIXED 25G VERTICAL 8X  PRODUCT CUSTOMER DRAWING SERIES: 173162 MATERIAL NUMBER: SEE CHART CUSTOMER: GENERAL MARKET DOCUMENT NUMBER: SD-173162-0002 DOC TYPE: PSD DOC PART: 001 SHEET NUMBER: 1 OF 7			
		MM	INCH	MM ONLY		5:1				
	4 PLACES	±	±	DRWN BY: BJANOWIAK		DATE: 2015/05/11				
	3 PLACES	±	±	CHK'D BY: MJANTELEZIO		DATE: 2015/05/11				
	2 PLACES	± 0.13	±	APPR BY: MBANAKIS		DATE: 2015/09/18				
	1 PLACES	± 0.25	±	DRAWING SIZE: C		THIRD ANGLE PROJECTION				
0 PLACES	±	±	ANGULAR TOL = 0.5		DRAFT WHERE APPLICABLE MUST REMAIN WITHIN DIMENSIONS					

# 8X SMT ASSEMBLY



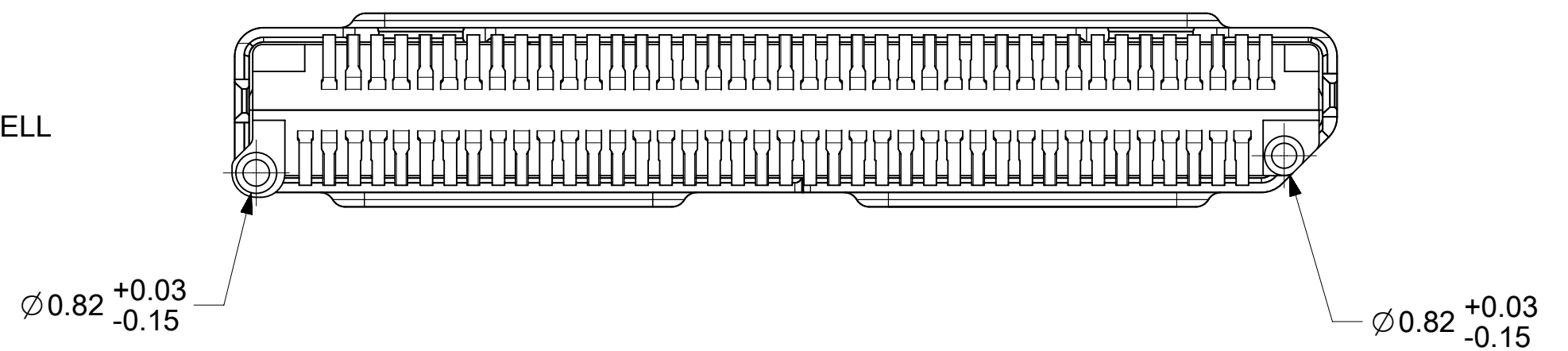
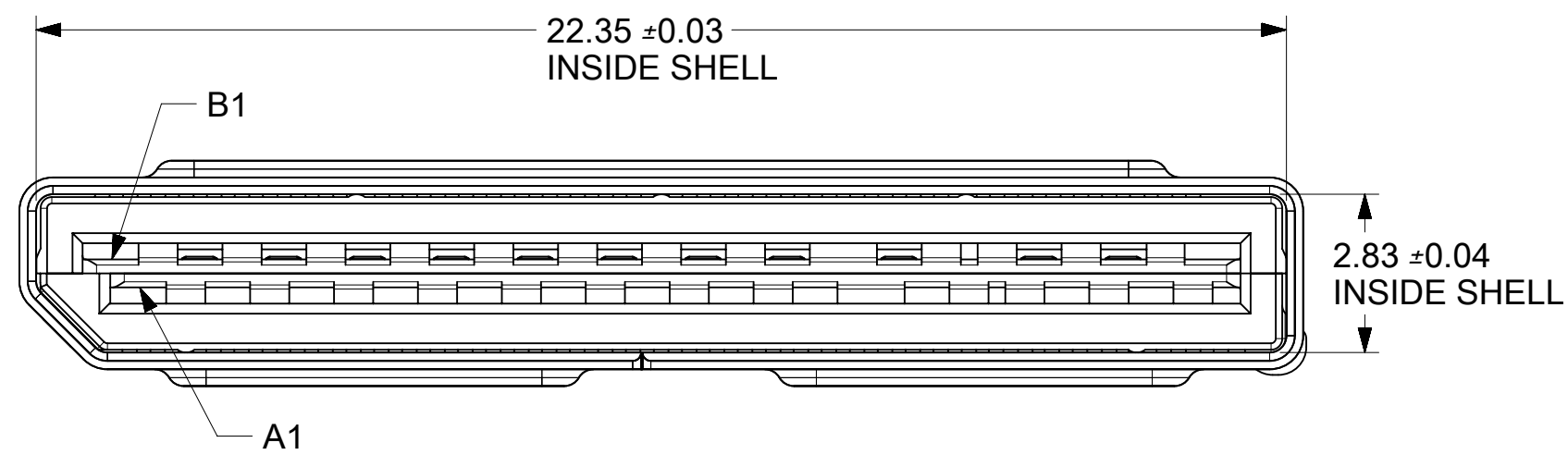
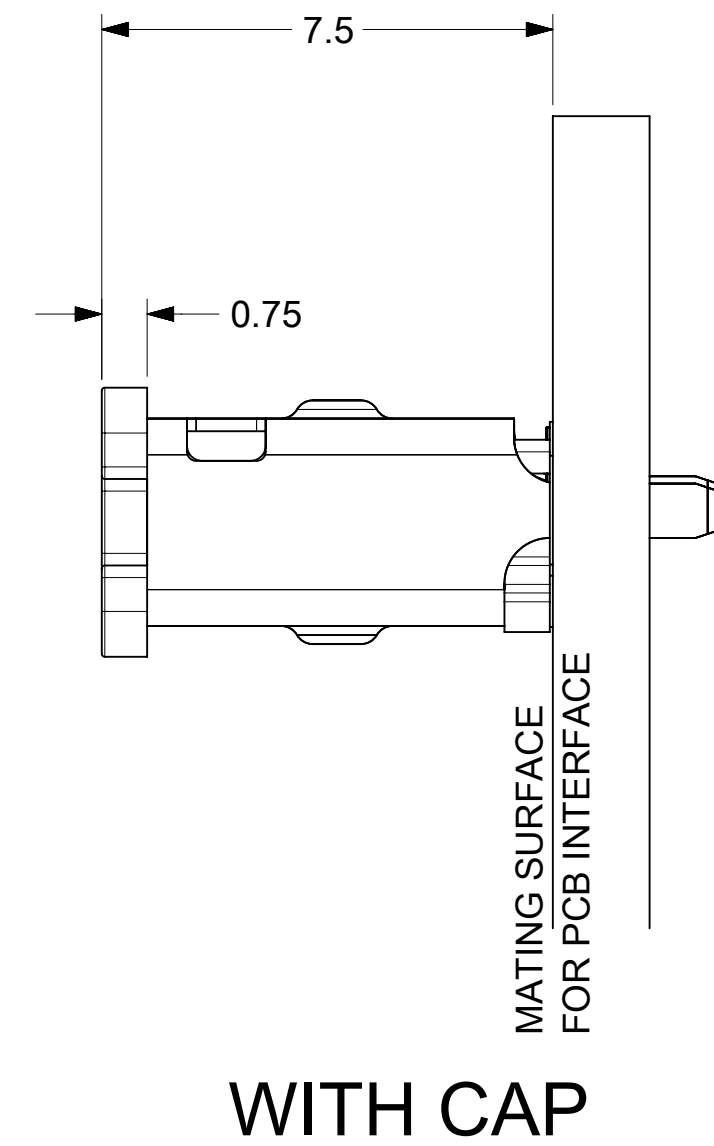
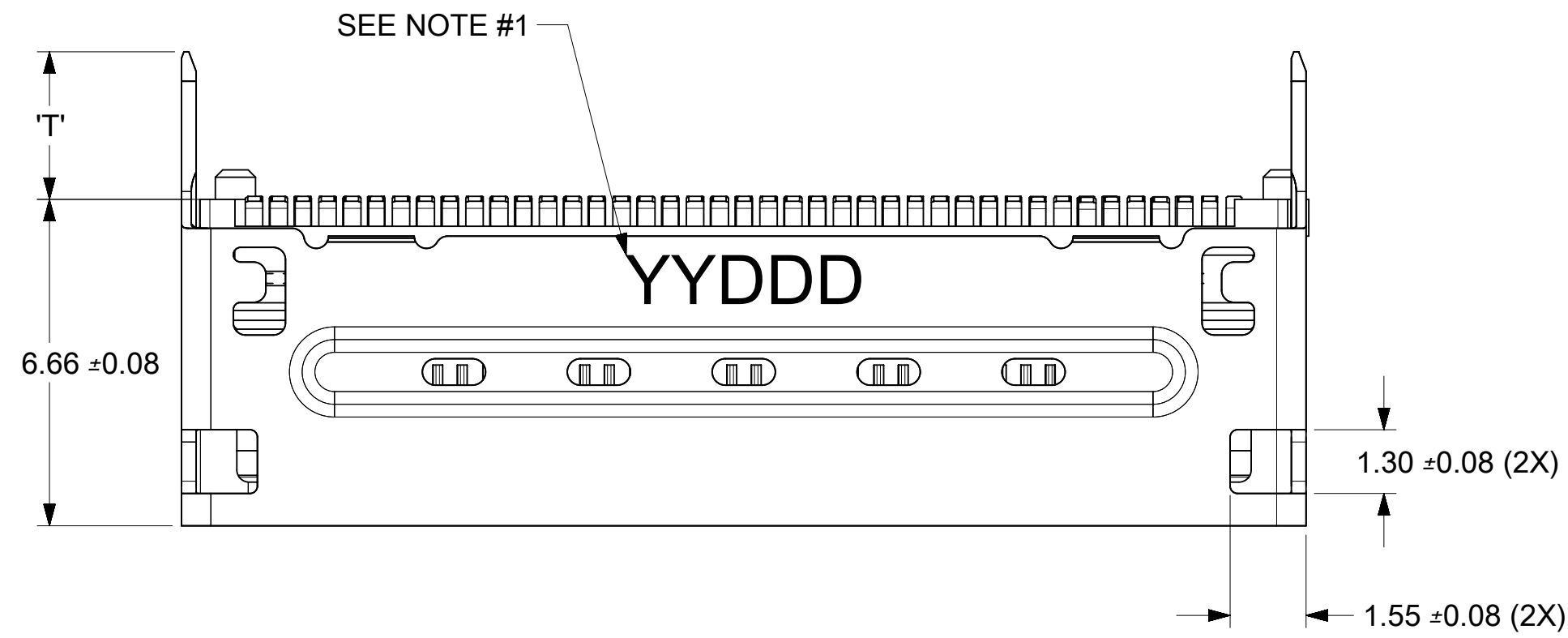
WITH CAP



- NOTES:
1. MANUFACTURED DATE CODE (JULIAN CALENDAR)
  2. SOLDER TAIL COPLANARITY, 0.10 MAX

THIS DRAWING CONTAINS INFORMATION THAT IS PROPRIETARY TO MOLEX ELECTRONIC TECHNOLOGIES, LLC AND SHOULD NOT BE USED WITHOUT WRITTEN PERMISSION												
REMASTERED IN ECTR EC NO: 167964 DRWN: MJANTELEZIO CHKD: CCHEN103 REV / APPR: JKACHLIC	2017/08/23		2017/11/10		2017/11/11		GENERAL TOLERANCES (UNLESS SPECIFIED)		DIMENSION UNITS		SCALE	
							MM ONLY		MM ONLY		8:1	
	4 PLACES		±		±				DRWN BY		DATE	
	3 PLACES		±		±				BJANOWIAK		2015/05/11	
	2 PLACES		± 0.13		±				CHK'D BY		DATE	
1 PLACES		± 0.25		±				MJANTELEZIO		2015/05/11		
0 PLACES		±		±				APPR BY		DATE		
								MBANAKIS		2015/09/18		
						ANGULAR TOL = 0.5		DRAWING SIZE		THIRD ANGLE PROJECTION		
						DRAFT WHERE APPLICABLE MUST REMAIN WITHIN DIMENSIONS		C				
molex®			NANO PITCH I/O FIXED 25G VERTICAL 8X			PRODUCT CUSTOMER DRAWING			SERIES			
									173162			
									SEE SHEET 1			
									GENERAL MARKET			
RELEASE STATUS			P1			RELEASE DATE			11.11.2017			
12			11			10			9			
8			7			6			5			
4			3			2			1			
SD-173162-0002			PSD			DOC PART			001			
SHEET NUMBER			2 OF 7									

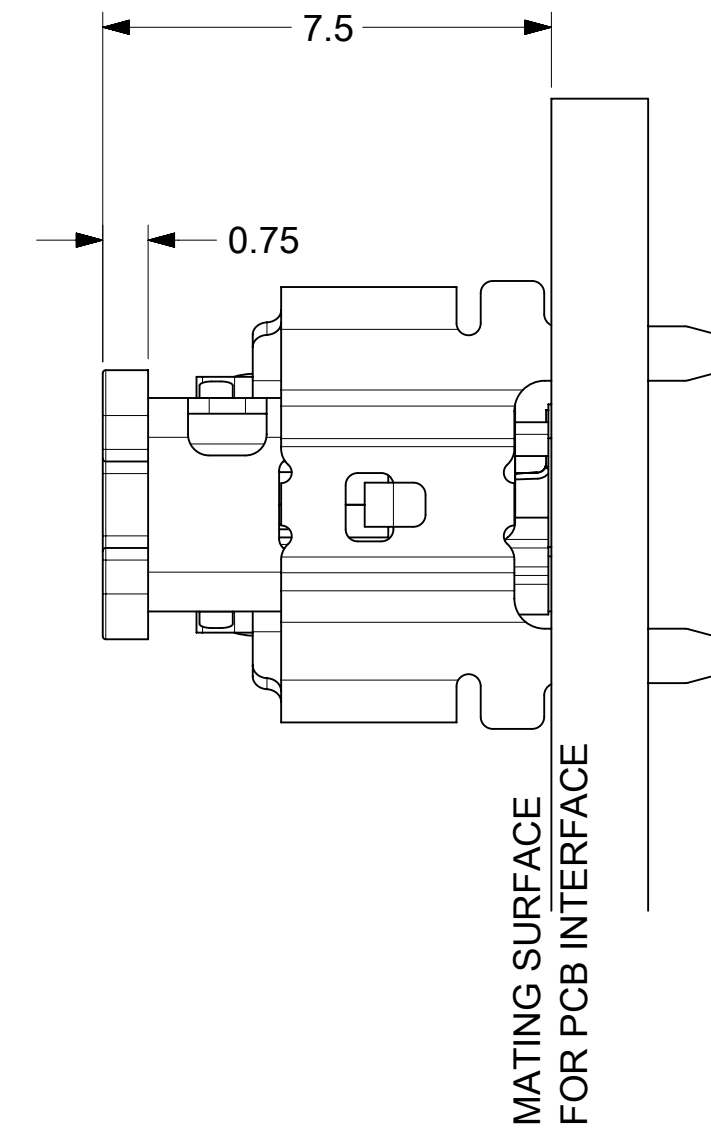
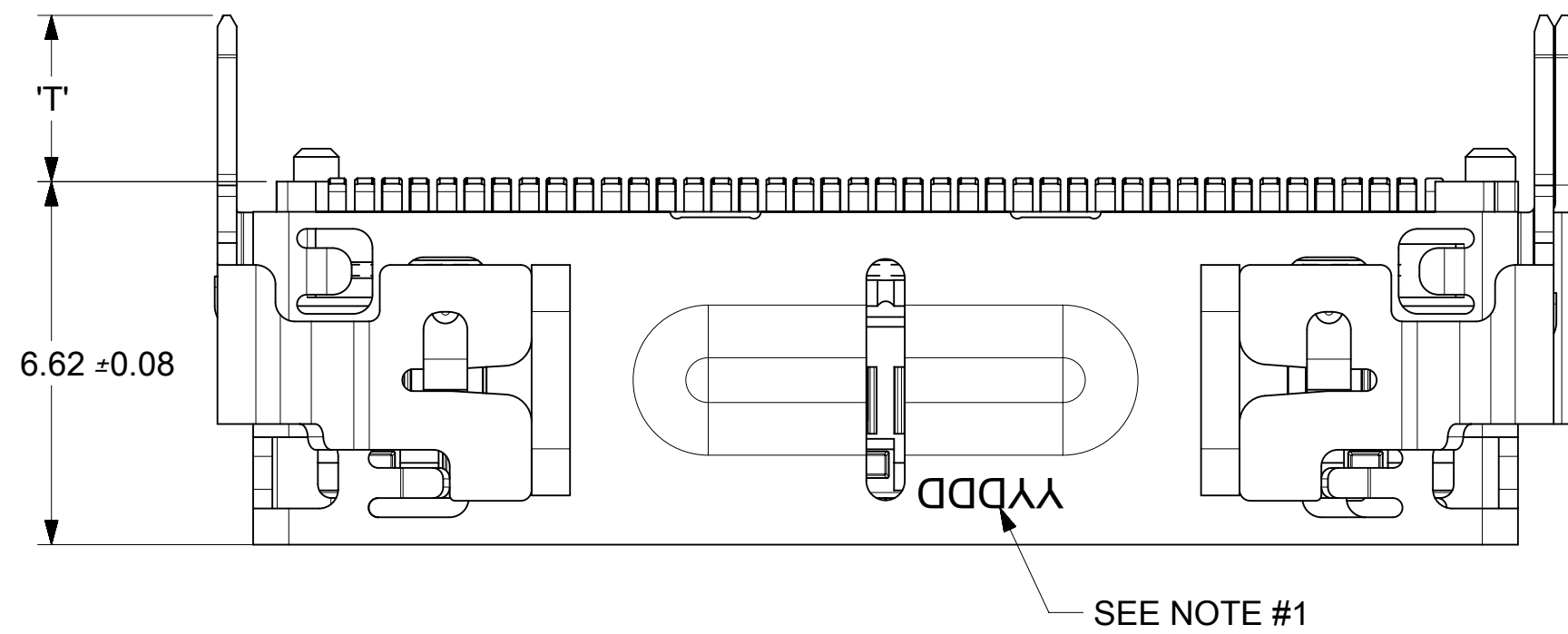
# 8X SOLDER TAIL ASSEMBLY



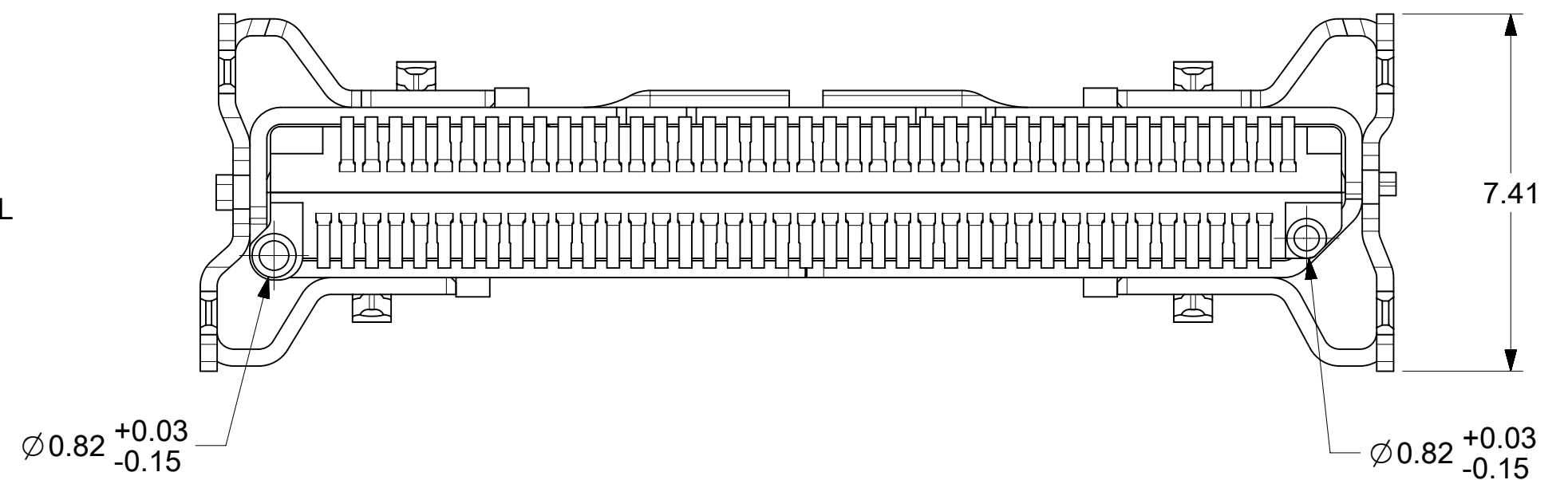
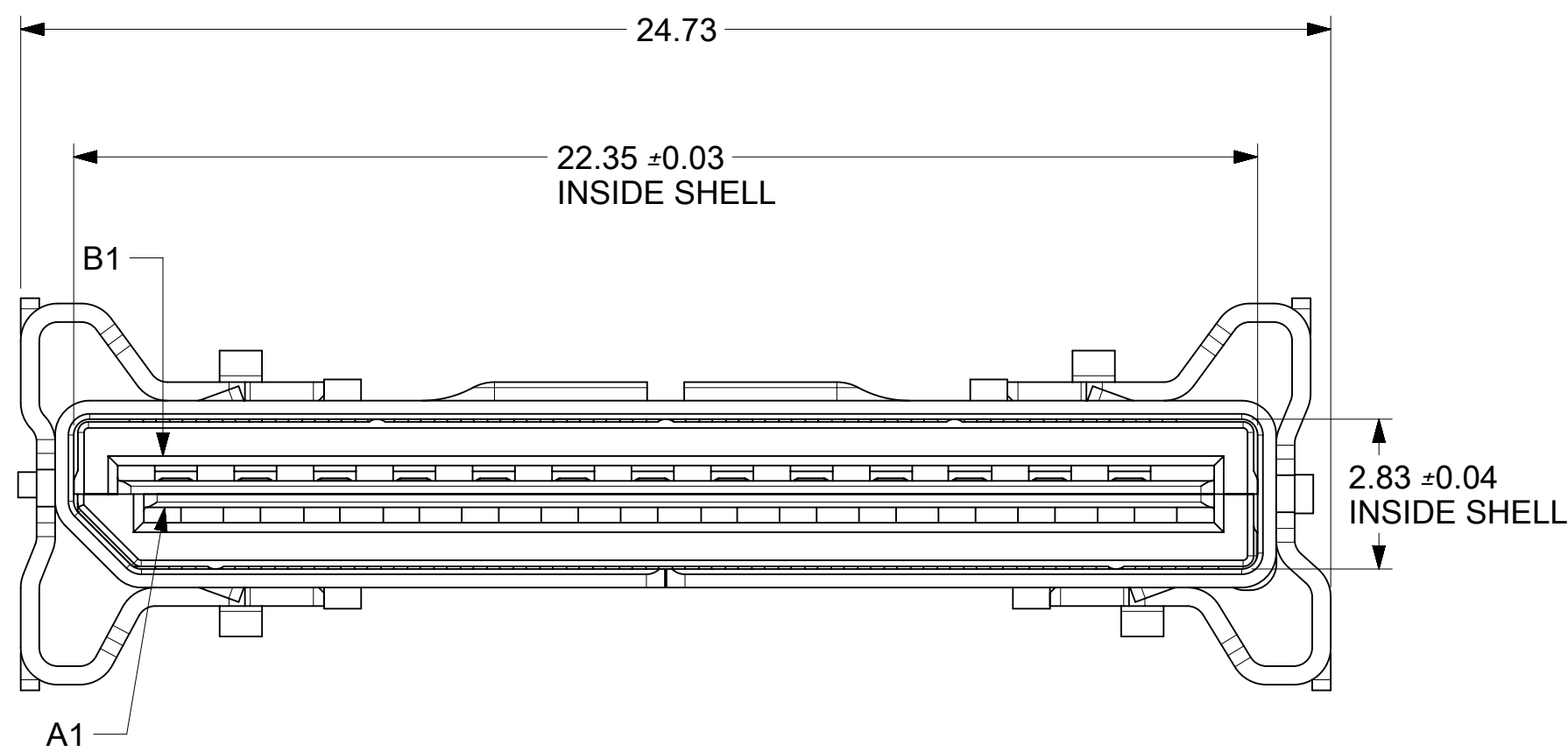
- NOTES:
1. MANUFACTURED DATE CODE (JULIAN CALENDAR)
  2. SOLDER TAIL COPLANARITY, 0.10 MAX

THIS DRAWING CONTAINS INFORMATION THAT IS PROPRIETARY TO MOLEX ELECTRONIC TECHNOLOGIES, LLC AND SHOULD NOT BE USED WITHOUT WRITTEN PERMISSION										
REMASTERED IN ECTR EC NO: 167964 DRWN: MJANTELEZIO CHKD: CHEN103 REV / APPR: JKACHLIC	GENERAL TOLERANCES (UNLESS SPECIFIED)		DIMENSION UNITS		SCALE					
		MM	INCH	MM ONLY		8:1				
	4 PLACES	±	±	DRWN BY		DATE		NANO PITCH I/O FIXED 25G VERTICAL 8X  PRODUCT CUSTOMER DRAWING SERIES: 173162 MATERIAL NUMBER: SEE SHEET 1 CUSTOMER: GENERAL MARKET DOCUMENT NUMBER: SD-173162-0002 DOC TYPE: PSD DOC PART: 001 SHEET NUMBER: 3 OF 7		
	3 PLACES	±	±	BJANOWIAK		2015/05/11				
	2 PLACES	±	0.13 ±	CHK'D BY		DATE				
1 PLACES	±	0.25 ±	MJANTELEZIO		2015/05/11					
0 PLACES	±	±	APPR BY		DATE					
	ANGULAR TOL = 0.5		DRAWING SIZE		THIRD ANGLE PROJECTION					
	DRAFT WHERE APPLICABLE MUST REMAIN WITHIN DIMENSIONS		C							

# 8X XD ASSEMBLY



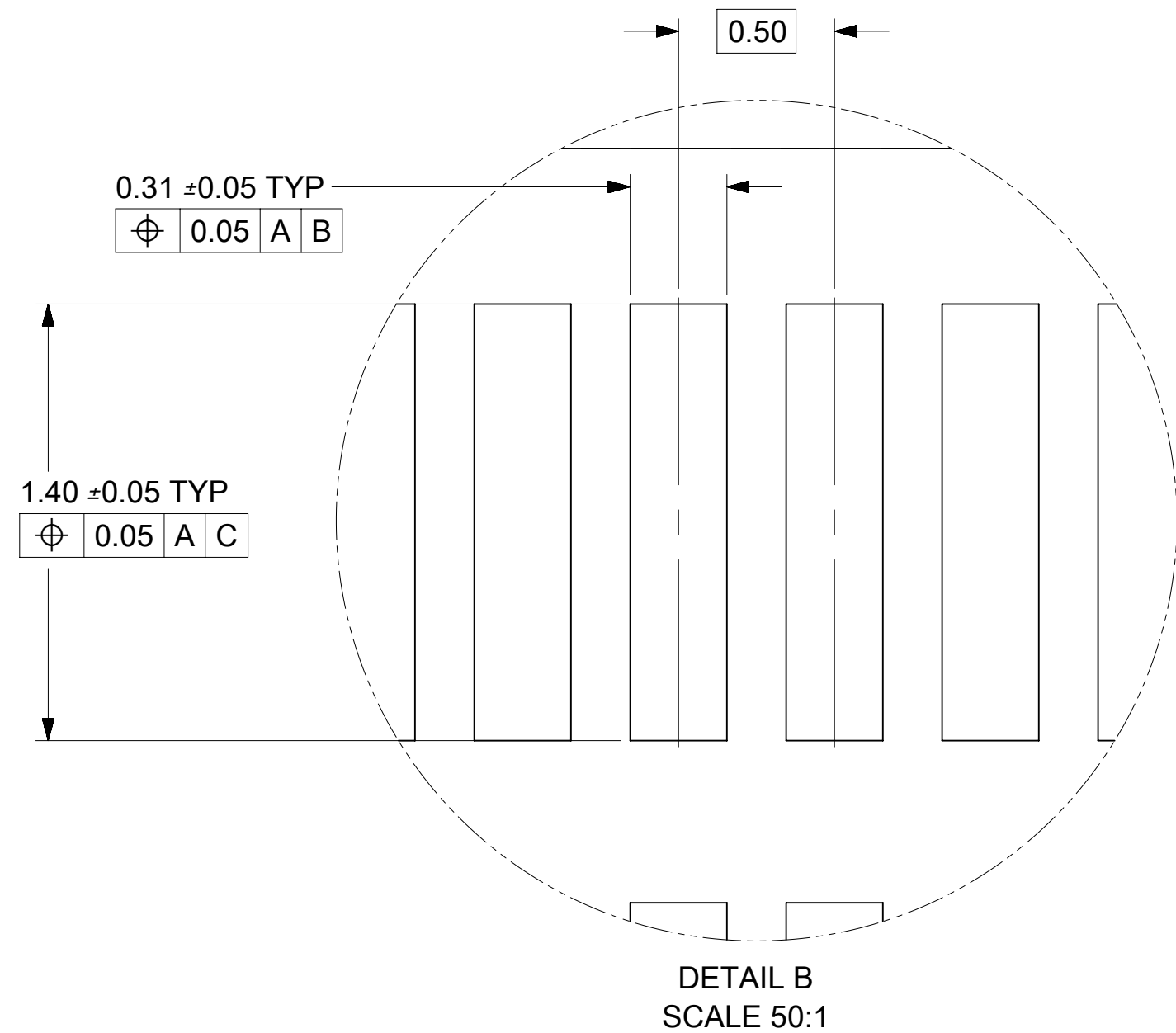
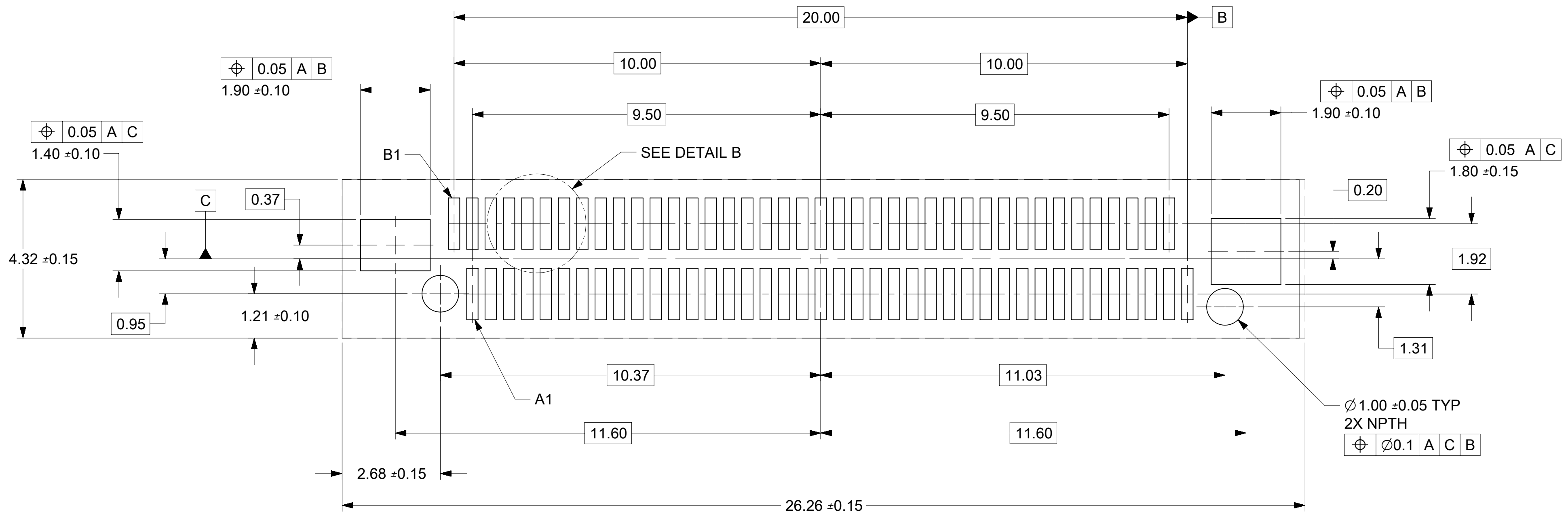
WITH CAP



- NOTES:
1. MANUFACTURED DATE CODE (JULIAN CALENDAR)
  2. SOLDER TAIL COPLANARITY, 0.10 MAX

THIS DRAWING CONTAINS INFORMATION THAT IS PROPRIETARY TO MOLEX ELECTRONIC TECHNOLOGIES, LLC AND SHOULD NOT BE USED WITHOUT WRITTEN PERMISSION									
REMASTERED IN ECTR EC NO: 167964 DRWN: MJANTELEZIO CHKD: CHEN103 REV / APPR: JKACHLIC	GENERAL TOLERANCES (UNLESS SPECIFIED)		DIMENSION UNITS		SCALE		<b>molex</b>		
			MM ONLY		8:1				
	4 PLACES	±	MM	INCH	DRWN BY	DATE	NANO PITCH I/O FIXED 25G VERTICAL 8X		
	3 PLACES	±			BJANOWIAK	2015/05/11			
	2 PLACES	± 0.13			CHK'D BY	DATE			
1 PLACES	± 0.25			MJANTELEZIO	2015/05/11				
0 PLACES	±			APPR BY	DATE				
		ANGULAR TOL = 0.5		MBANAKIS	2015/09/18	PRODUCT CUSTOMER DRAWING			
		DRAFT WHERE APPLICABLE MUST REMAIN WITHIN DIMENSIONS		DRAWING SIZE	THIRD ANGLE PROJECTION	SERIES	MATERIAL NUMBER	CUSTOMER	
D				C		173162	SEE SHEET 1	GENERAL MARKET	
						DOCUMENT NUMBER	DOC TYPE	DOC PART	SHEET NUMBER
						SD-173162-0002	PSD	001	4 OF 7

# 8X SMT RECOMMENDED FOOTPRINT

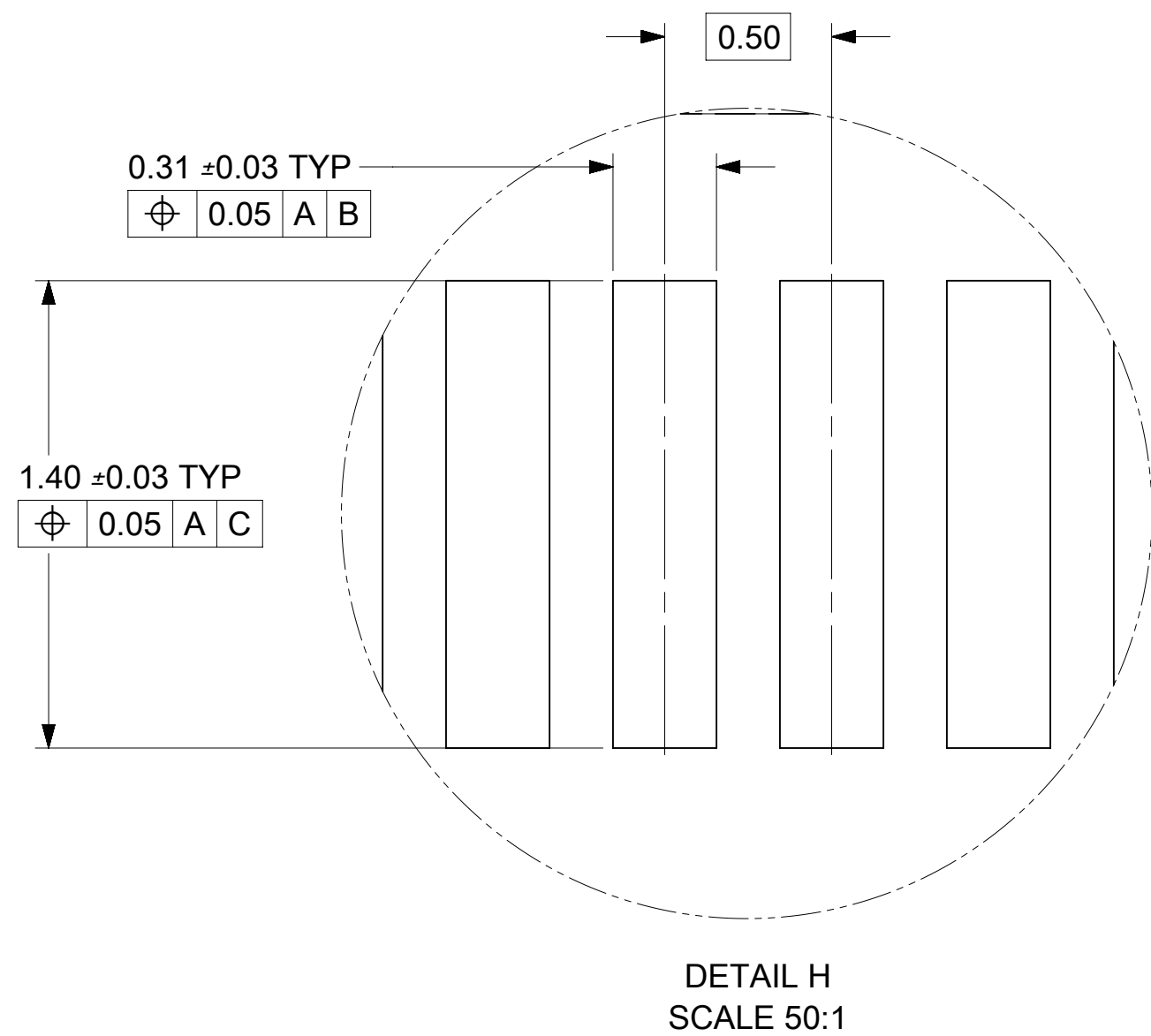
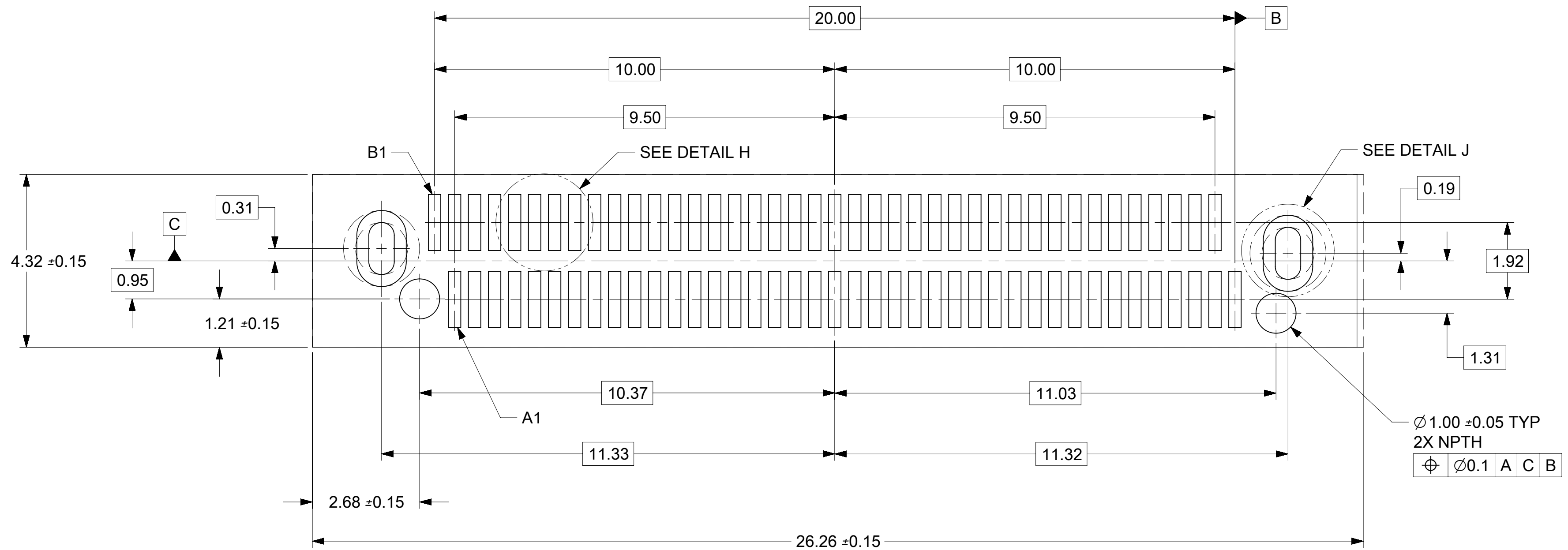


**NOTES:**

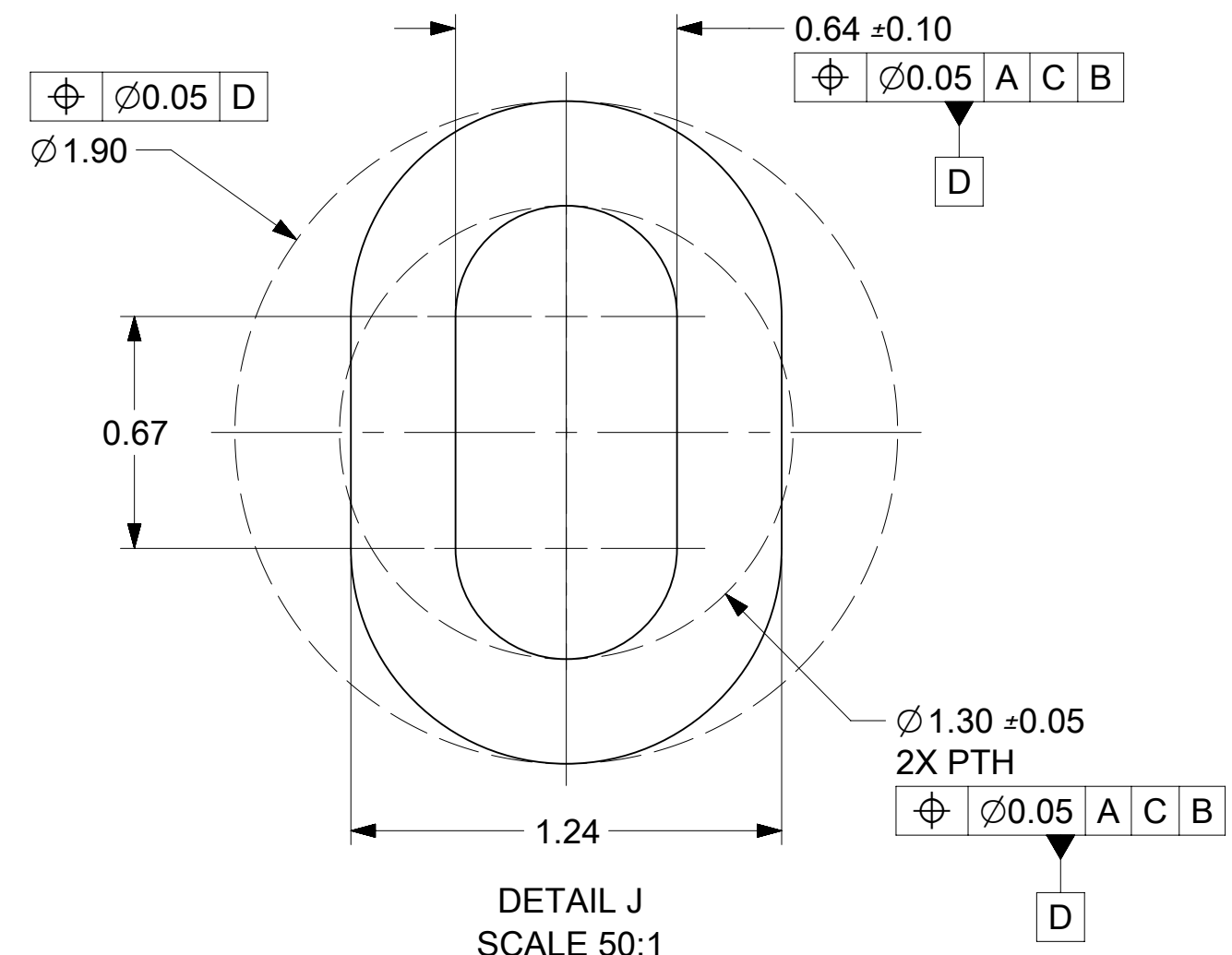
1. MINIMUM RECOMMENDED SPACING BETWEEN ADJACENT CONNECTOR IS 28.50mm
2. MINIMUM RECOMMENDED PCB THICKNESS: 1.57mm
3. CONNECTOR KEEP OUT AREA
4. DATUM -A- ESTABLISHED FROM TOP SURFACE OF PCB

THIS DRAWING CONTAINS INFORMATION THAT IS PROPRIETARY TO MOLEX ELECTRONIC TECHNOLOGIES, LLC AND SHOULD NOT BE USED WITHOUT WRITTEN PERMISSION									
REMASTERED IN ECTR EC NO: 167964 DRWN: MJANTELEZIO CHKD: CHEN103 REV / APPR: JKACHLIC	2017/08/23	2017/11/10	GENERAL TOLERANCES (UNLESS SPECIFIED)		DIMENSION UNITS		SCALE		
			MM	INCH	MM ONLY	12:1			
	4 PLACES	±	±	DRWN BY		DATE			
	3 PLACES	±	±	BJANOWIAK		2015/05/11			
	2 PLACES	±	0.13	CHK'D BY		DATE			
1 PLACES	±	0.25	MJANTELEZIO		2015/05/11				
0 PLACES	±	±	APPR BY		DATE				
			MBANAKIS		2015/09/18				
ANGULAR TOL = 0.5			DRAWING SIZE		THIRD ANGLE PROJECTION				
DRAFT WHERE APPLICABLE MUST REMAIN WITHIN DIMENSIONS			C						
SERIES		MATERIAL NUMBER		CUSTOMER					
173162		SEE SHEET 1		GENERAL MARKET					
DOCUMENT NUMBER				DOC TYPE		DOC PART		SHEET NUMBER	
SD-173162-0002				PSD		001		5 OF 7	

# 8X SOLDER TAIL RECOMMENDED FOOTPRINT



DETAIL H  
SCALE 50:1



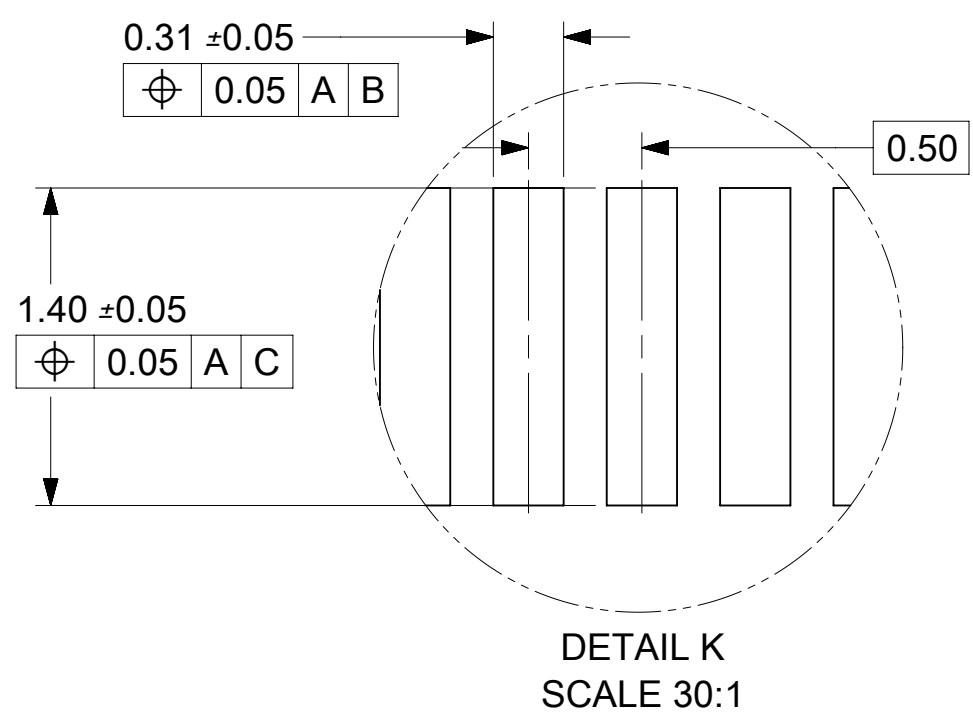
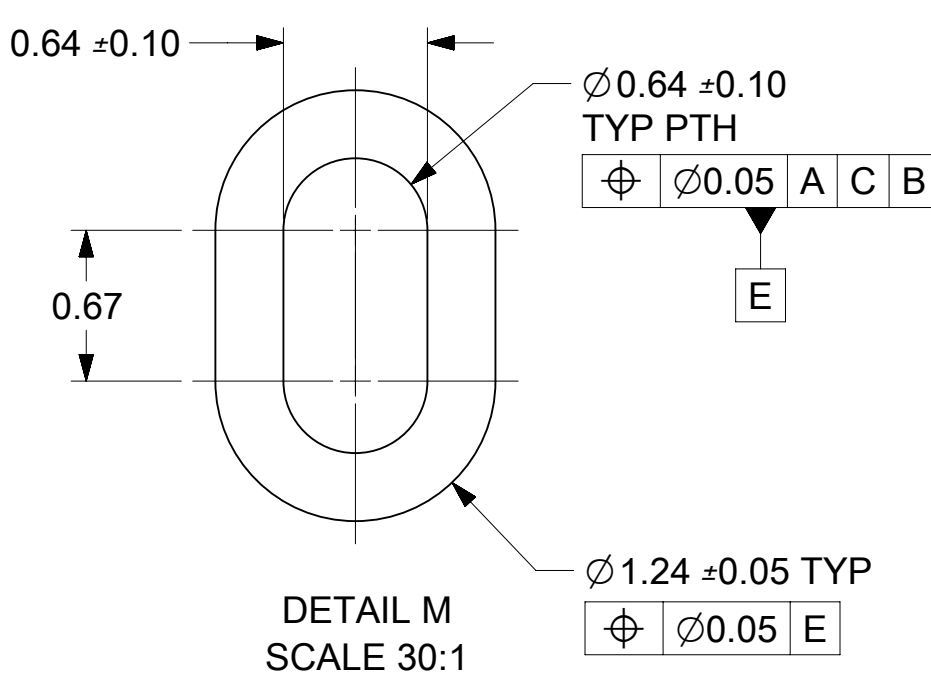
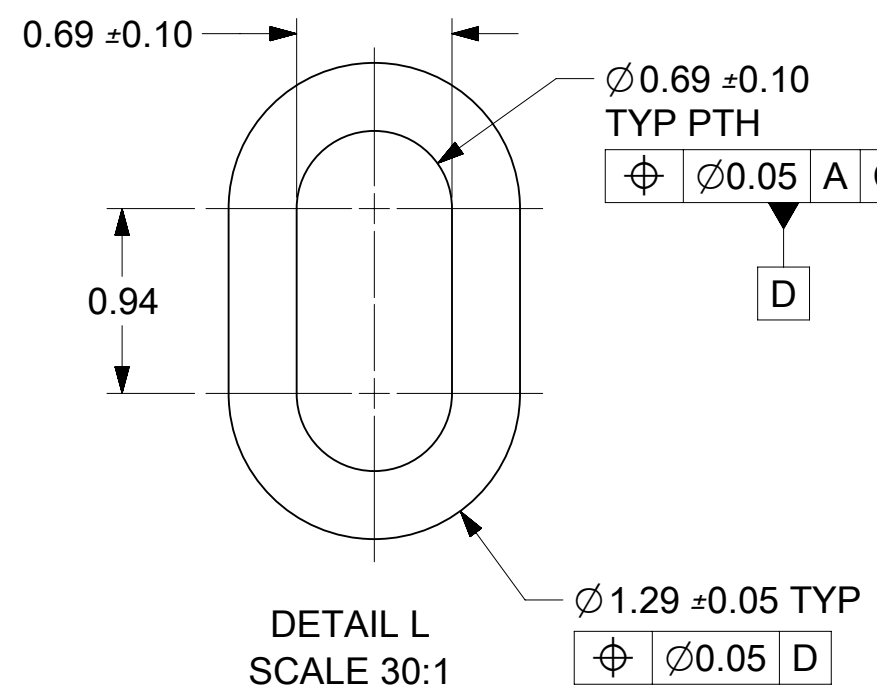
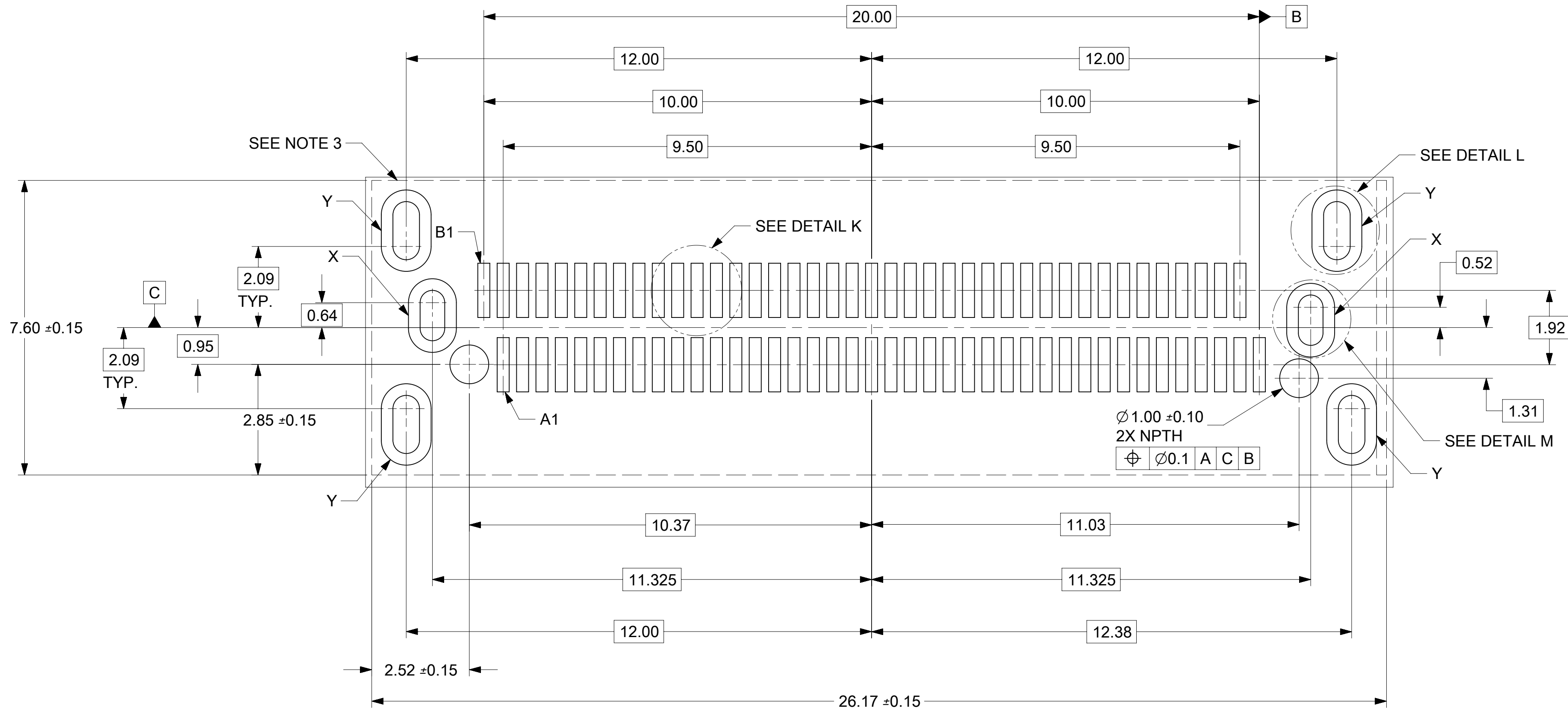
DETAIL J  
SCALE 50:1

- NOTES:
1. MINIMUM RECOMMENDED SPACING BETWEEN ADJACENT CONNECTOR IS 28.50mm
  2. MINIMUM RECOMMENDED PCB THICKNESS: 1.57mm
  3. CONNECTOR KEEP OUT AREA
  4. DATUM -A- ESTABLISHED FROM TOP SURFACE OF PCB

THIS DRAWING CONTAINS INFORMATION THAT IS PROPRIETARY TO MOLEX ELECTRONIC TECHNOLOGIES, LLC AND SHOULD NOT BE USED WITHOUT WRITTEN PERMISSION

REMASTERED IN ECTR EC NO: 167964 DRWN: MJANTELEZIO CHKD: CCHEN103 REV / APPR: JKACHLIC	2017/08/23	2017/11/10	2017/11/11	GENERAL TOLERANCES (UNLESS SPECIFIED)		DIMENSION UNITS		SCALE					
				MM	INCH	MM ONLY	12:1	NANO PITCH I/O FIXED 25G VERTICAL 8X					
	4 PLACES	±	±	DRWN BY		DATE		PRODUCT CUSTOMER DRAWING					
	3 PLACES	±	±	BJANOWIAK		2015/05/11		SERIES	MATERIAL NUMBER	CUSTOMER			
2 PLACES	±	0.13	±	CHK'D BY		DATE		173162	SEE SHEET 1	GENERAL MARKET			
1 PLACES	±	0.25	±	APPR BY		DATE		DOCUMENT NUMBER					
0 PLACES	±	±	±	MBANAKIS		2015/09/18		SD-173162-0002					
ANGULAR TOL = 0.5				DRAWING SIZE		THIRD ANGLE PROJECTION		DOC TYPE		DOC PART		SHEET NUMBER	
DRAFT WHERE APPLICABLE MUST REMAIN WITHIN DIMENSIONS				C				PSD		001		6 OF 7	

# 8X COMMON TAIL/XD RECOMMENDED FOOTPRINT



- NOTES:
1. MINIMUM RECOMMENDED SPACING BETWEEN ADJACENT CONNECTOR IS 28.50mm
  2. MINIMUM RECOMMENDED PCB THICKNESS: 1.57mm
  3. CONNECTOR KEEP OUT AREA
  4. DATUM -A- ESTABLISHED FROM TOP SURFACE OF PCB
  5. COMMON FOOTPRINT SHOWN FOR XD ONLY PATTERN USE ONLY PTH DENOTED "Y" FOR TAIL ONLY PATTERN USE ONLY PTH DENOTED "X"

THIS DRAWING CONTAINS INFORMATION THAT IS PROPRIETARY TO MOLEX ELECTRONIC TECHNOLOGIES, LLC AND SHOULD NOT BE USED WITHOUT WRITTEN PERMISSION

REMASTERED IN ECTR EC NO: 167964 DRWN: MJANTELEZIO CHKD: CCHEN103 REV / APPR: JKACHLIC	2017/08/23	2017/11/10	2017/11/11	GENERAL TOLERANCES (UNLESS SPECIFIED)	DIMENSION UNITS	SCALE	<p>NANO PITCH I/O FIXED 25G VERTICAL 8X</p> <p>PRODUCT CUSTOMER DRAWING</p>	
				MM INCH	MM ONLY	12:1		
	4 PLACES	±	±	DRWN BY	DATE			SERIES: 173162    MATERIAL NUMBER: SEE SHEET 1    CUSTOMER: GENERAL MARKET
	3 PLACES	±	±	BJANOWIAK	2015/05/11			
			2 PLACES	± 0.13	±	CHK'D BY	DATE	DOCUMENT NUMBER: SD-173162-0002    DOC TYPE: PSD    DOC PART: 001    SHEET NUMBER: 7 OF 7
			1 PLACES	± 0.25	±	MJANTELEZIO	2015/05/11	
			0 PLACES	±	±	APPR BY	DATE	
						MBANAKIS	2015/09/18	
				ANGULAR TOL = 0.5	DRAWING SIZE	THIRD ANGLE PROJECTION		
				DRAFT WHERE APPLICABLE MUST REMAIN WITHIN DIMENSIONS	C			