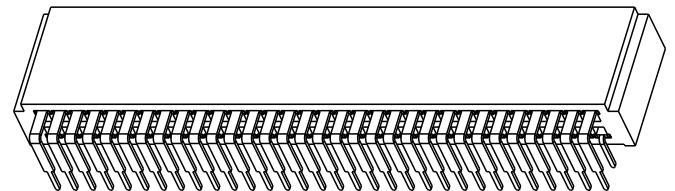
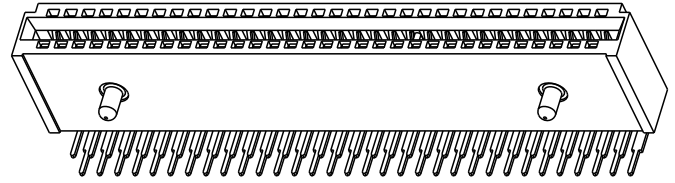


| PRODUCT NO. | POSITION | REMARK | DIM "C" | DIM "D" | DIM "E" |
|----------------|----------|-------------|---------|---------|---------------------------------------|
| I0053363-100LF | 2X32 | WITH KEY | 54.61 | 54.46 | 3.50±0.25 |
| I0053363-200LF | 2X32 | WITHOUT KEY | N/A | N/A | 3.50±0.25 |
| I0053363-201LF | 2X32 | WITHOUT KEY | N/A | N/A | 2.60± ^{0.10} _{0.30} |

NOTES:

- MATERIALS:
 HOUSING: HIGH TEMPERATURE THERMOPLASTIC, UL 94V-0 RATED, BLACK.
 TERMINAL: HIGH CONDUCTIVITY COPPER ALLOY.
 CONTACT AREA: 30µ" GOLD OVER 50µ" NICKEL UNDERPLATED.
 SOLDER TAIL: 100µ" TIN OVER 50µ" NICKEL UNDERPLATED.
- PRODUCT PERFORMANCE SPEC. PER GS-12-259.
- PACKAGE SPECIFICATION PER GS-14-937.
- PART NUMBER I0053363-X00LF MEETS EUROPEAN UNION DIRECTIVE AND OTHER COUNTRY REGULATIONS AS DESCRIBED IN GS-22-008. THE HOUSING WILL WITHSTAND EXPOSURE TO 260°C±5°C PEAK TEMPERATURE FOR 10 SECONDS IN A REFLOW SOLDER APPLICATION WITH A CIRCUIT BOARD.
- MANUFACTURER'S NAME, P/N AND DATE CODE TO APPEAR ON THIS SURFACE AS PER GS-24-007.



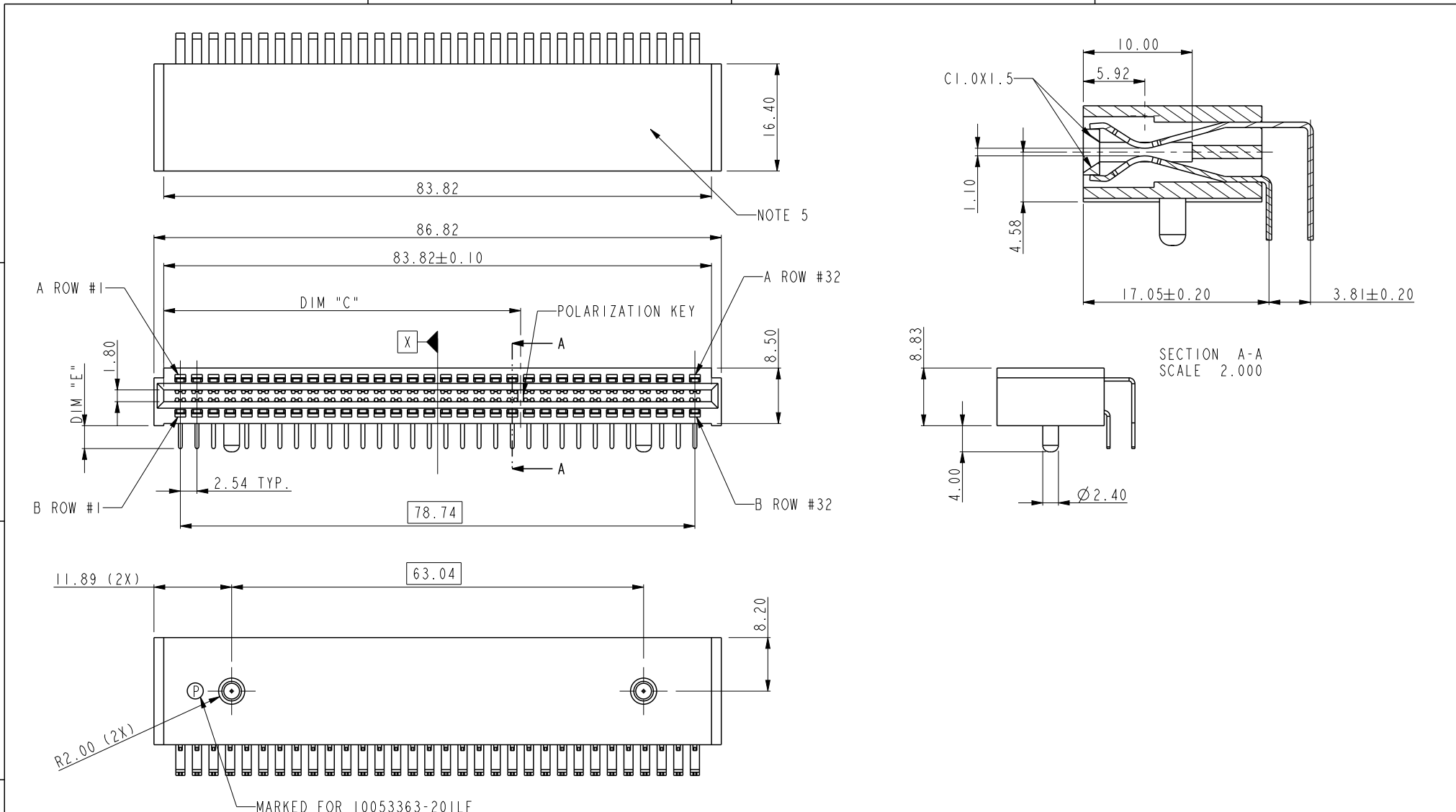
Copyright FCI.

| | | | | | | | | | | | |
|---------------------------------------|--|---------------------|--|-------------|--|--|--|------------------------|--|------------------------|--|
| spec ref * | | dr wadmin | | 2006/08/07 | | projection | | size A4 | | scale 1.000 | |
| tolerance std | | eng Wei-Long Zhang | | 2012/06/06 | | | | | | ecn no ELX-DG-011840-1 | |
| TOLERANCES UNLESS OTHERWISE SPECIFIED | | chr - | | - | | | | | | rel level Released | |
| surface ✓ | | appr Pei-Ming Zheng | | 2012/06/06 | | product family | | rev | | K | |
| linear | | 0.X ±0.30 | | | | title 2X32P RIGHT ANGLE POWER CARD EDGE | | dwg no 10053363 | | sheet 1 of 3 | |
| | | 0.XX ±0.15 | | | | | | | | | |
| | | 0.XXX ±0.08 | | | | | | | | | |
| angular | | 0° ±2° | | www.fci.com | | cat. no. * | | Product - Customer Drw | | STATUS:Released | |

Prod File - REV C - 2009-06-09



Copyright FCI.

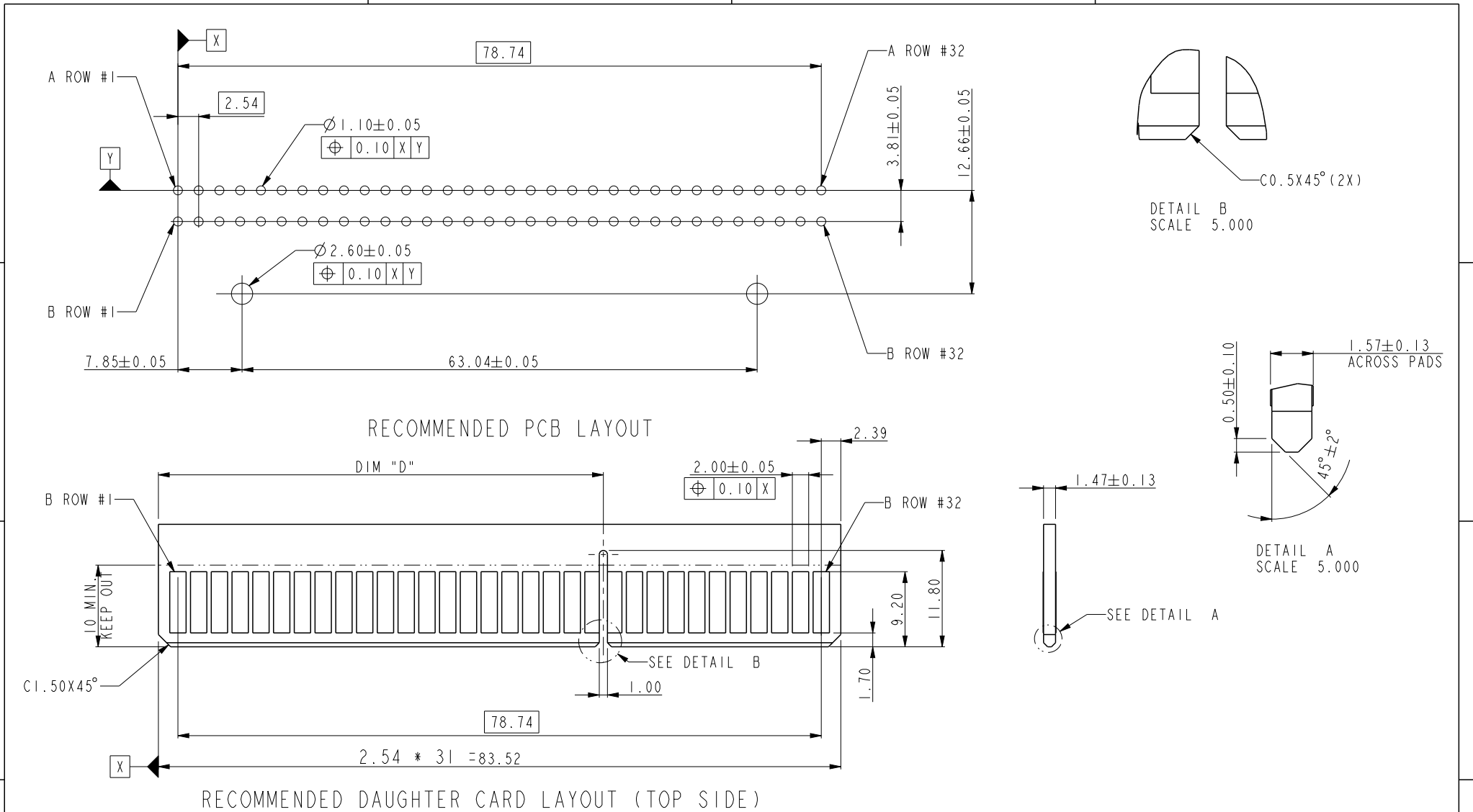


| | | | | | | | | |
|-------------|----------------|------------|------------------------|----------|--------------|-----------------|----------|-------|
| dr | wcadmin | 2006/08/07 | projection | MM ←→ | size | A4 | scale | 1.000 |
| eng | Wei-Long Zhang | 2012/06/06 | | | ecn no | ELX-DG-011840-1 | | |
| chr | - | - | | | rel level | Released | | |
| appr | Pei-Ming Zheng | 2012/06/06 | product family | | dwg no | | 10053363 | rev |
| www.fci.com | | cat. no. | Product - Customer Drw | | sheet 2 of 3 | | K | |

PreE File - REV C - 2009-06-09



Copyright FCI.



| | | | | | | | | |
|-------------|----------------|------------|--------------------------|--------|-----------|-----------------|-------|--------------|
| dr | wcadmin | 2006/08/07 | projection | MM | size | A4 | scale | 1.000 |
| eng | Wei-Long Zhang | 2012/06/06 | | | ecn no | ELX-DG-011840-1 | | |
| chr | - | - | | | rel level | Released | | |
| appr | Pei-Ming Zheng | 2012/06/06 | product family | | rev | | K | |
| www.fci.com | | cat. no. | * Product - Customer Drw | | dwg no | 10053363 | | sheet 3 of 3 |