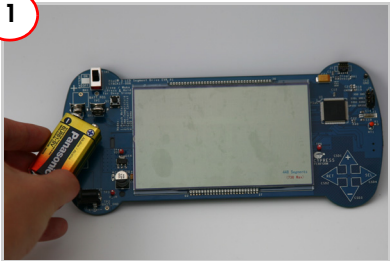
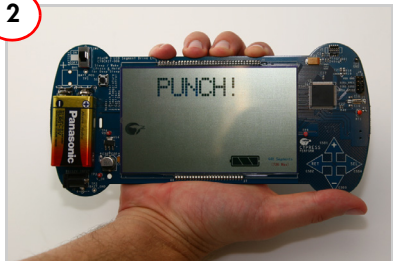


1



1. Connect 9V battery to board and set the switch to ON.

2



1. Press SEL three times in a row to start punch gauge demo.
2. Screen counts down, 3, 2, 1, Punch!

3



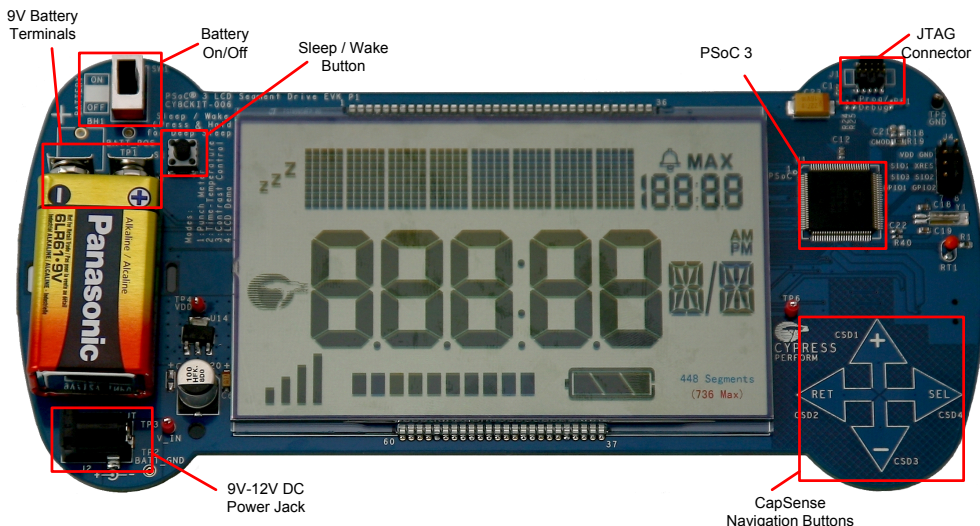
1. Push SEL to continue.

4

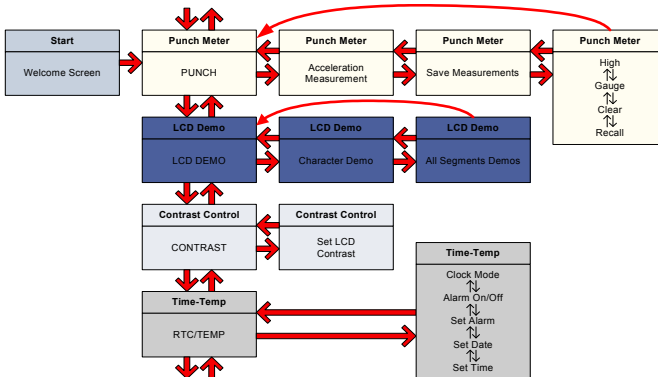


1. Insert the kit CD and run the CD's autorun utility.
2. Open the guide and install software.

## LCD Segment Drive Evaluation Kit Details



## LCD Segment Drive Evaluation Kit Demo Control Flow



For the latest information about this kit visit  
[www.cypress.com/go/CY8CKIT-006](http://www.cypress.com/go/CY8CKIT-006)

