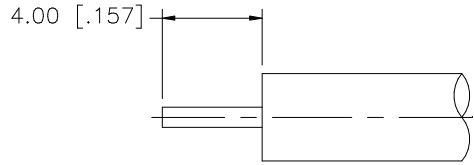
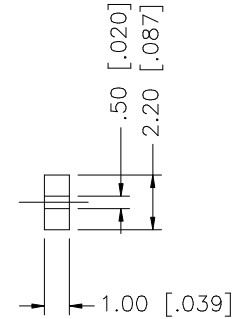
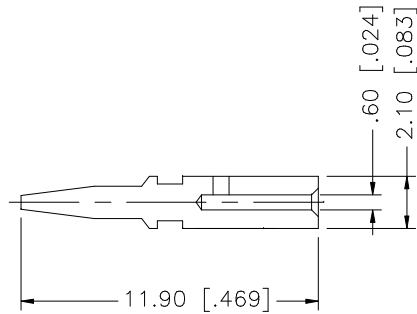
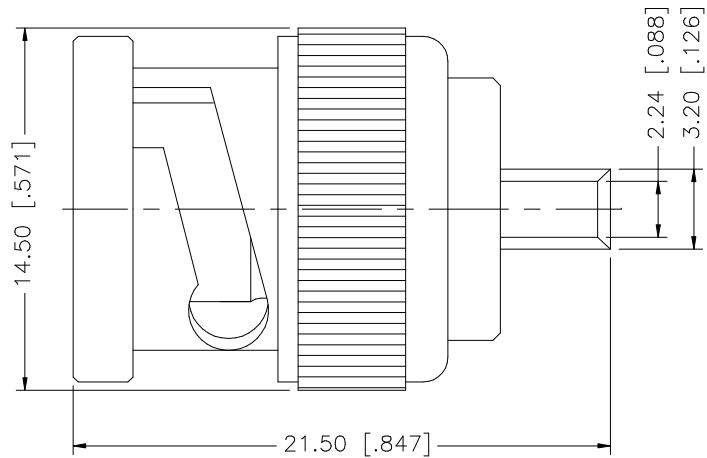


REV.	DATE	DESCRIPTION
NC	01/01/05	INITIAL RELEASE
A	03/18/05	UPDATE DRAWING FORMAT
B	08/28/06	REVISE BARREL DIMENSIONS TO 2.24mm ID / 3.20mm O.D.
		CONTACT PIN I.D. TO .60mm/ INSULATOR .50mm I.D. AND 2.2mm O.D.



RECOMMENDED
CABLE STRIPPING DIM'S



NOTE:

1. CRIMPED CONTACT PIN
HEX CRIMP SIZE 1.72 [.068"]

				UNLESS OTHERWISE SPECIFIED DIMENSIONS ARE IN MILLIMETERS. DIMENSIONS IN [] ARE IN INCHES AND FOR CUSTOMER REFERENCE ONLY.	APPROVALS	DATE	Amphenol Connex					
8					DRAWN	G.R.S.					08/28/06	PART DESCRIPTION BNC DIRECT SOLDER PLUG (FOR .085", .086" SEMI RIGID CABLE)
7					CHECKED			PART NO. 112552				
6					ISSUED							DWG. NO. 112552.DWG
5					SHEET	1 OF 1		REV. B SIZE A SCALE NA				
4					CAD FILE	C:/112/112552.DWG						
3	CONTACT PIN	BRASS	GOLD	1	DO NOT SCALE DRAWING							
2	INSULATOR	TEFLON	NATURAL	1								
1	BODY	BRASS	GOLD	1								
				UNLESS OTHERWISE SPECIFIED TOLERANCES FOR MILLIMETERS ARE: 0.5 - 8mm ± 0.20mm 8 - 30mm ± 0.40mm 30 - 120mm ± 0.50mm UNLESS OTHERWISE SPECIFIED TOLERANCES FOR INCHES ARE: .020 - .315 = ± 0.007" .315 - 1.180 = ± 0.015" 1.180 - 4.724 = ± 0.020"								