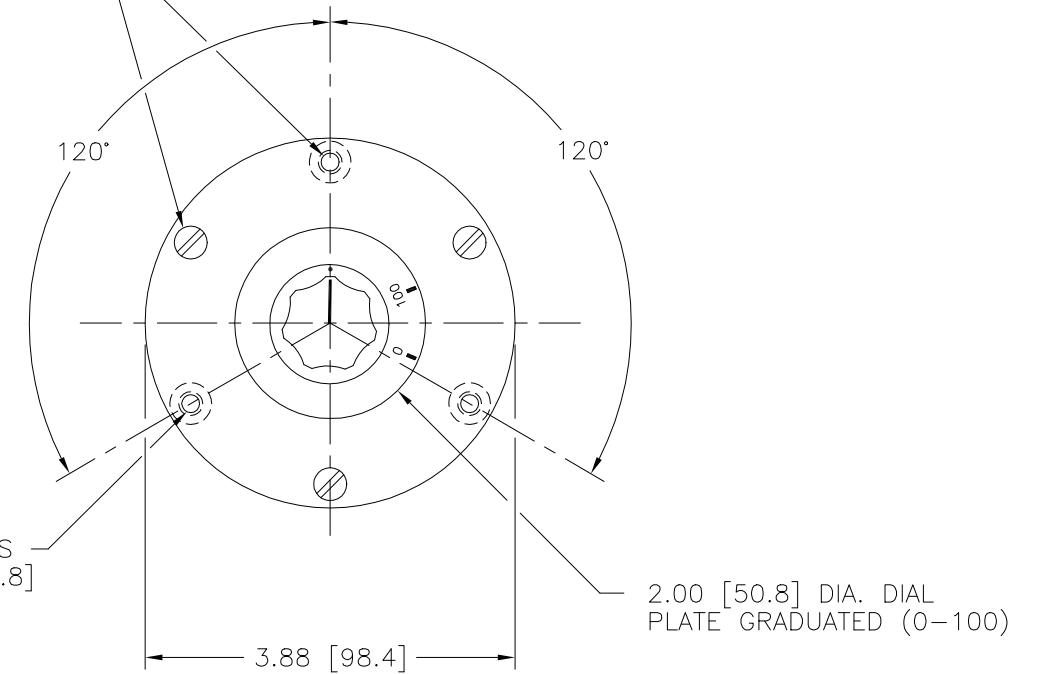


TO BE FLUSH OR BELOW FLUSH WITH BOTTOM MOUNTING PLATE

1/4-20 UNC-2B (3) HOLES 120° APART ON A 3.38 [85.8] DIA. BOLT CIRCLE

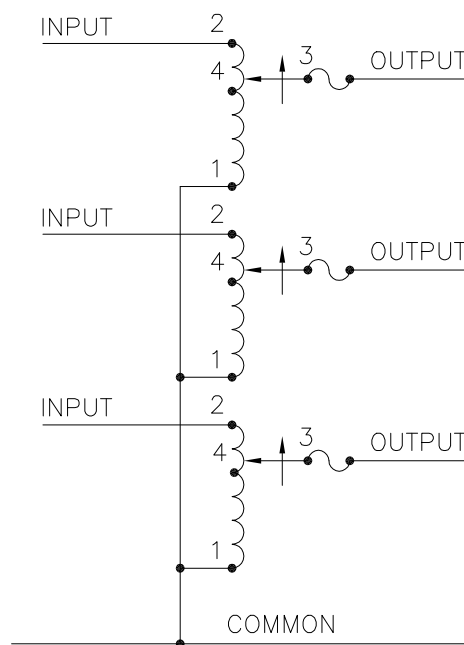


NOTES:

1. MAXIMUM AMBIENT TEMPERATURE 50°C
2. VENTILATION MUST BE PROVIDED WHEN USED IN AN ENCLOSURE.

SPECIFICATIONS:

- ++ LINE TO LINE VOLTAGE
- ⌘ IF GANGED UNITS ARE USED IN A SYSTEM THAT ORDINARILY HAS A COMMON NEUTRAL OR GROUND BETWEEN SOURCE AND LOAD, THE NEUTRAL OR GROUND MUST BE CONNECTED TO THE COMMON TERMINALS OF THE VARIABLE TRANSFORMER ASSEMBLY. IF THE SYSTEM HAS NO NEUTRAL, THE LOAD MUST BE BALANCED OR THE TRANSFORMERS WILL BE DAMAGED.
- JUMPER PROVIDED IN THE STANDARD COMMON POSITION AND SHOULD BE MOVED OR REMOVED AS REQUIRED.



SCHMATIC
FUSE RECOMMENDED BUT NOT SUPPLIED

SPECIFICATIONS											
WIRING	INPUT		OUTPUT				SHAFT ROTATION TO INCREASE VOLTAGE	TERMINAL CONNECTIONS			
	VOLTS	HERTZ	VOLTS	CONSTANT CURRENT LOAD		CONSTANT IMPEDANCE LOAD		FOR INCREASING VOLTAGE AS VIEWED FROM BASE END			
				MAX. AMPS	MAX. KVA	MAX. AMPS		MAX. KVA	INPUT	JUMPER ■	OUTPUT
THREE PHASE WYE ⌘	240	60	0-240	1.75	0.73	2.2	0.92	CW	2-2-2	1-1-1	3-3-3
	++							CCW	1-1-1	2-2-2	3-3-3

UNLESS OTHERWISE SPECIFIED, TOLERANCE IS #				UNITS		TITLE: SPEC. CONTROL DRAWING				
DECIMALS	HOLES	ANGLES	DRAFT	IN [mm]		VARIABLE TRANSFORMER				
.XX	.014	.002	1°	1-1/2"		TYPE: 171-3				
MATERIAL:				ALL DIMENSIONS APPLY AFTER PLATING		DRAWN BY: TIM RAU				
DATE: 12/29/97				FIRST USED ON:		DO NOT SCALE DWG.		CUSTOMER APPROVAL:		
CHECKER:				DATE:		WEIGHT APPROX. 6.5 LBS.		CODE IDENT. NO. 83008		DWG. NO. 031-0125
ENGINEER:				DATE:		SCALE 1=1		SHEET 1 OF 1		D

