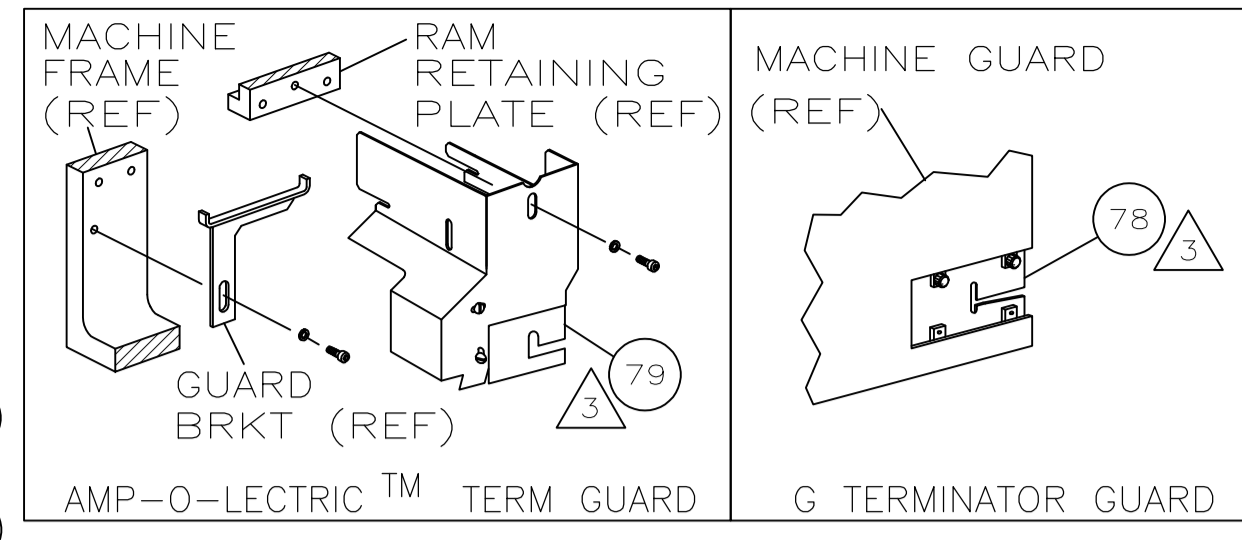
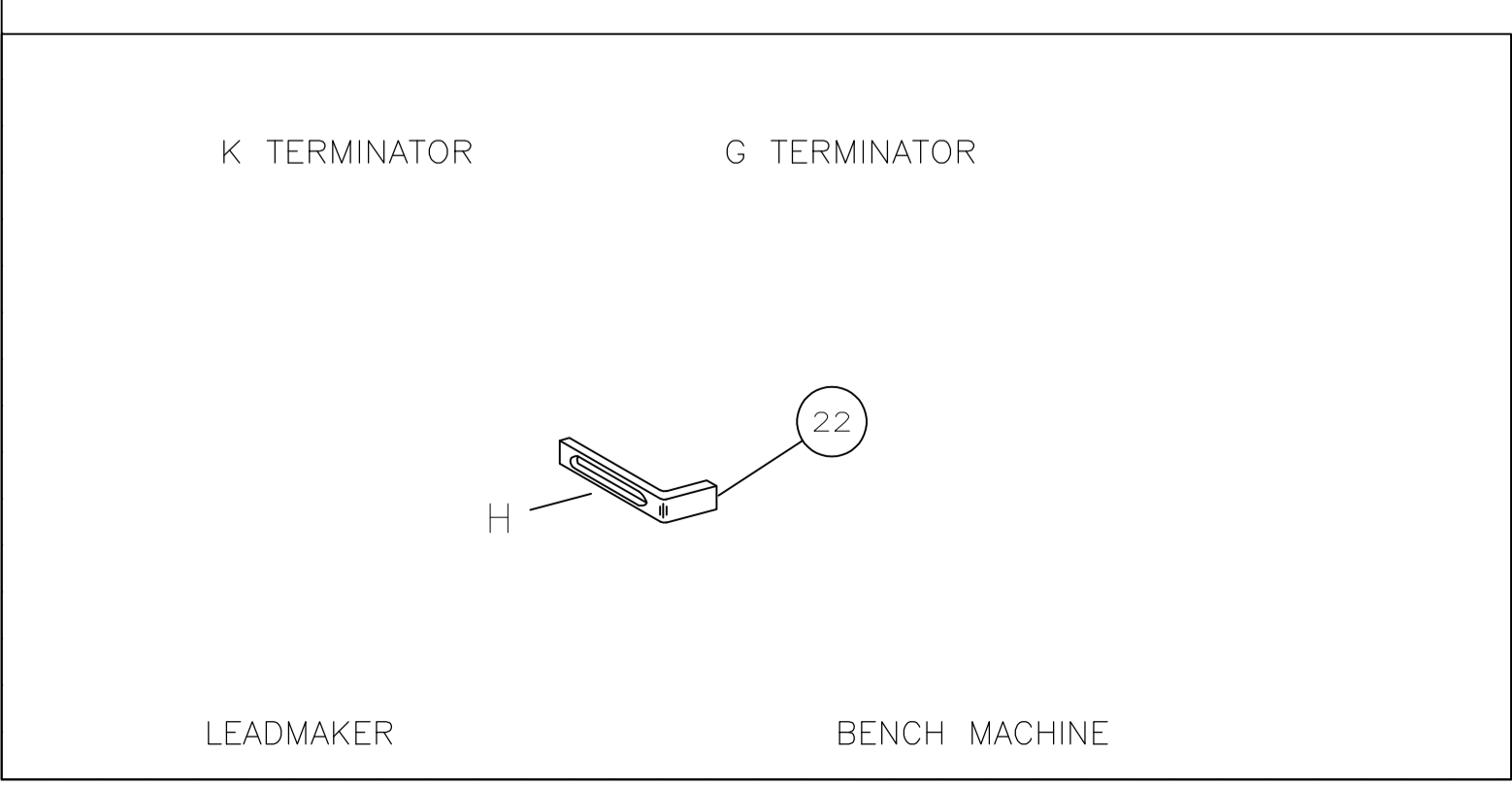
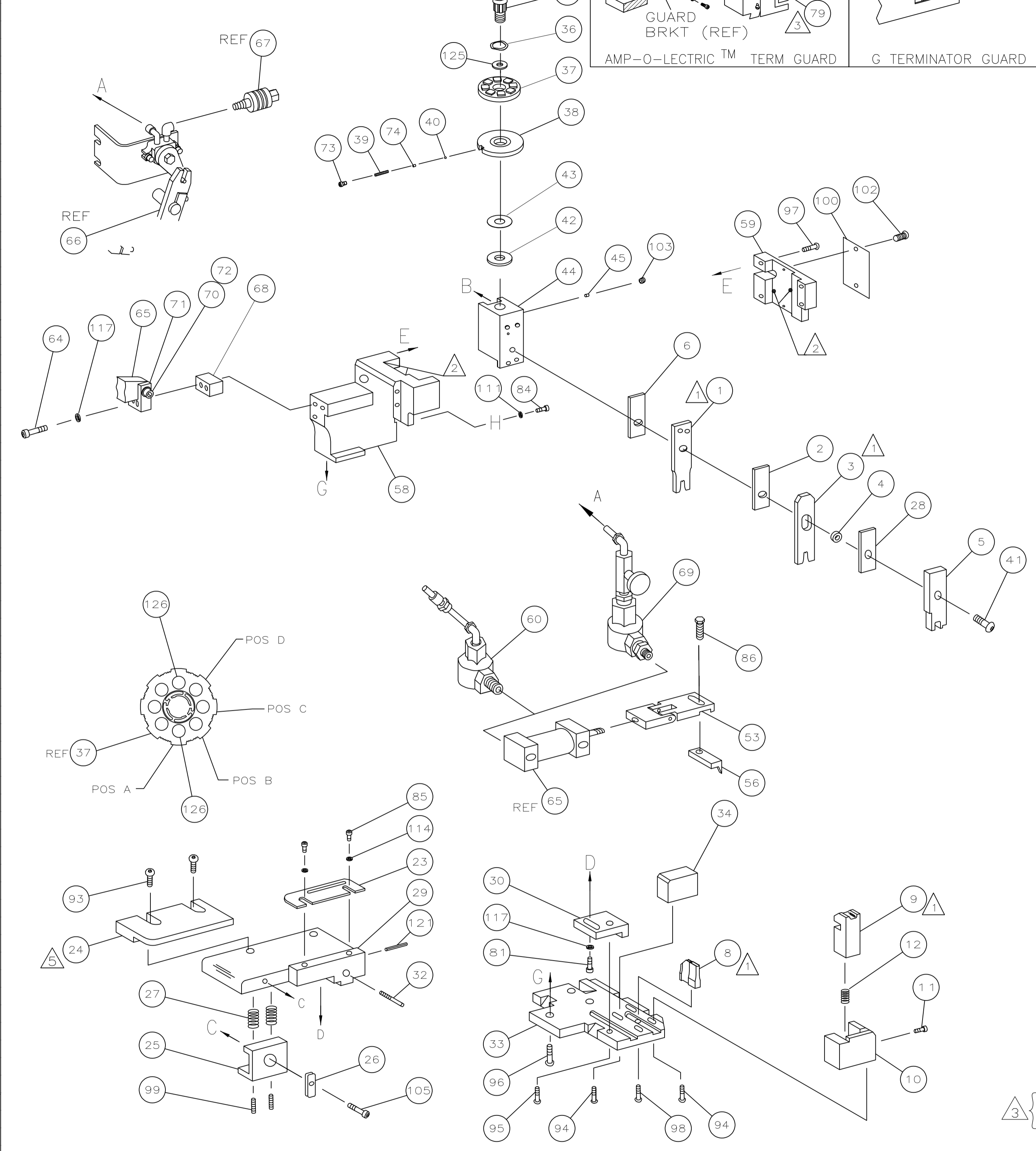


PART NUMBER	REV	FIRST USED
1385635-1	G	122500-1
1385635-2	G	565435-5
1385635-3	G	354500-1



TERMINAL NAME: VERTICAL BULKHEAD CABLE RECP

1600961	AMP TERMINAL	AMP CRIMP SPECS
	PAD LTR	CRIMP HEIGHT WIRE SIZE
	A	.084 ±.002 [2.13 ±0.05mm] 14
	B	NOT USED
	C	NOT USED
	D	NOT USED
	CRIMP SIZE TYPE RANGE	
	WIRE .136 [3.45mm] F 16-12	
	INSUL .170 [4.32mm] 0 .120-.156	
WIRE STRIP LENGTH	TERM APPL SPEC	FEED APPL INSTRUCTION SET UP GAGE LAYOUT
.235-.265	118-4610	.900 408-8040 458637-1 L2862

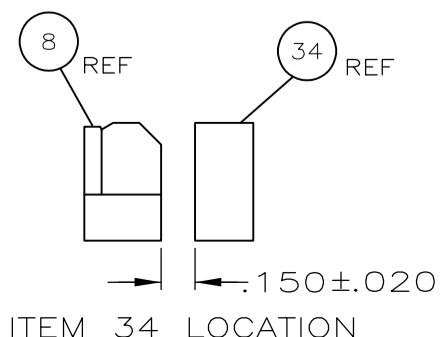
QTY REQD PER ASSY	PART NO	DESCRIPTION	ITEM NO			
2	2	2	7-354778-0	PIN, WIRE DISC (.2845)A	126	
1	1	1	986950-1	WASHER, FLAT PRECISION	125	
1	1	1	217238-1	GENERAL INSTRUCTION PACKAGE	124	
1	1	1	4088040	SF APPL INST 408-8040	123	
1	1	1	4-21028-0	PIN,SLT SPR(Ø.093x.75)ST GDE PL	121	
3	3	3	21024-5	WASHER, LOCK(#10)ADJ BLOCK	117	
2	2	2	21024-2	WASHER,LOCK(#4)FRONT STP GUIDE	114	
1	1	1	21024-4	WASHER,LOCK(#8)STRIPPER	111	
1	1	1	22353-8	SCR,SHLD(Ø.187x.25)DRAG LEVER	105	
1	1	1	21009-2	SCR,SKT SET(1/4-20x.25 LW)RAM	103	
2	2	2	21017-2	SCR,DRIVE(#2x.19)ID PLATE	102	
1	1	1	461264-1	PLATE, IDENTIFICATION	100	
2	2	2	5-21006-6	SCR,SET(10-32x.75)DRAG	99	
1	1	1	22733-8	SCR,BHC(8-32x.38 LW)ANVIL	98	
4	4	4	2-21002-9	SCR,BHC(10-32x.75)CAP	97	
3	3	3	2-22733-8	SCR,BHC(1/4-20x.62)HSG	96	
1	1	1	2-21002-7	SCR,BHC(10-32x.50)SG ADJ BLK	95	
4	4	4	2-21002-2	SCR,BHC(8-32x.50)TERM H DWN	94	
2	2	2	2-21002-4	SCR,BHC(8-32x.75)R STP GDE	93	
1	1	1	2-21002-0	SCR,BHC(8-32x.25)FEED FINGER	86	
2	2	2	1-21000-3	SCR,SHC(4-40x.25)FR ST GUIDE	85	
1	1	1	2-21000-7	SCR,SHC(8-32x.50)STRIPPER	84	
1	1	1	3-21000-4	SCR,SHC(10-32x.38)SG ADJ BL	81	
-	1	-	462992-7	GUARD ASSY	80	
REF	-	-	679532-1	INSERT, GUARD	78	
1	1	1	690603-1	SPRING, ASSIST	74	
1	1	1	23030-1	SCR,SHC(6-32x.25 SL)INS DISC	73	
1	1	1	3-21001-4	SCR,SHC(3/8x.88)FEED MT	72	
1	1	1	459610-3	MOUNT, FEED BRACKET	71	
-3	-2	-1	U/M	PART NO	DESCRIPTION	ITEM NO
PARTS LIST						
QTY REQD PER ASSY						

LOC	DIST	REV	DATE	DM	APVO
A	66		1-2009	DM	TE

REV	DESCRIPTION
-1	LEADMAKER
-2	BENCH MODEL K
-3	BENCH MODEL G

QTY REQD PER ASSY	PART NO	DESCRIPTION	ITEM NO			
1	1	1	21024-8	WASHER,LOCK(3/8)FEED BRKT	70	
-	1	-	692655-5	AIR FEED VALVE ASSY	69	
1	1	1	461690-1	SPACER, AIR FEED	68	
-	REF	-	24042-2	VALVE, SHUT OFF	67	
-	REF	-	692655-6	AIR FEED VALVE ASSY	66	
1	1	1	461065-2	AIR FEED ASSY (2 INCH)	65	
2	2	2	4-21000-3	SCR,SHC(10-32x2.00)AIR ASSY	64	
1	-	1	692655-7	AIR FEED VALVE ASSY	61	
1	1	1	454220-1	CAP, RAM	59	
1	1	1	454485-1	HOUSING	58	
1	1	1	2-694433-1	PAWL, FEED	56	
1	1	1	461062-1	FEED FINGER ASSY	53	
1	1	1	690191-1	PLUG, NYLON	45	
1	1	1	1-819307-0	RAM	44	
1	1	1	690125-1	WASHER, LAMINATED	43	
1	1	1	690124-6	WASHER, RAM	42	
1	1	1	7-21002-9	BOLT, CRIMPER(5/16x1.00)	41	
1	1	1	23241-6	BALL, STEEL	40	
1	1	1	690170-1	SPRING, COMPRESSION	39	
1	1	1	690142-1	DISC, INSULATION	38	
1	1	1	354777-1	WIRE DISC, PLASTIC	37	
1	1	1	22480-5	WASHER, SPRING	36	
1	1	1	690212-1	POST, RAM	35	
1	1	1	690786-1	SUPPORT, TERMINAL	34	
1	1	1	455675-1	PLATE, BASE	33	
1	1	1	690432-3	SCREW, ADJUSTMENT	32	
1	1	1	455689-1	BLOCK, STRIP GUIDE ADJ	30	
1	1	1	458144-1	PLATE, STRIP GUIDE	29	
1	1	1	1-455888-6	SPACER, FRONT SHEAR DEP	28	
2	2	2	1-22284-0	SPRING, DRAG	27	
1	1	1	356835-1	LEVER, DRAG RELEASE	26	
1	1	1	240792-1	DRAG, TERMINAL	25	
1	1	1	4-90765-2	GUIDE, STRIP (REAR)	24	
1	1	1	1-690438-0	GUIDE, STRIP (FRONT)	23	
1	1	1	458230-4	STRIPPER	22	
1	1	1	3-22280-3	SPRING, SHEAR	12	
1	1	1	690461-2	STOP, SHEAR	11	
1	1	1	1-690459-0	HOLDER, SHEAR (FRONT)	10	
1	1	1	454276-5	SHEAR, FLOAT (FRONT)	9	
1	1	1	7-662520-7	ANVIL	8	
1	1	1	1-455888-4	SPACER, CRIMPER	6	
1	1	1	2-455889-1	DEPRESSOR, SHEAR (FRONT)	5	
1	1	1	1-238011-2	SPACER, BLOCK CRIMPER	4	
1	1	1	4-683454-0	CRIMPER, INSULATION	3	
1	1	1	455888-1	SPACER, CRIMPER	2	
1	1	1	4-1490019-2	CRIMPER, WIRE	1	
-3	-2	-1	U/M	PART NO	DESCRIPTION	ITEM NO
PARTS LIST						
QTY REQD PER ASSY						

- 1 RECOMMENDED SPARE PARTS.
- 2 GREASE LIGHTLY.
- 3 GUARD MUST BE IN PLACE WHEN OPERATING APPLICATOR IN A BENCH MACHINE.
- 4 SEE DRAWING FOR COMPONENTS
- 5 REAR STRIP GUIDE TO GUIDE ON INSULATION BARREL.
- 6 ITEM 43, TRIM TO FIT OUTSIDE DIAMETER OF ITEM 42 IN ASSY



THIS DRAWING IS A CONTROLLED DOCUMENT.

APPROVED: C. REICHELDERFER, 31 JUL 03

DESIGNED: J. ELBIN, 31 JUL 03

TYCO ELECTRONICS

Tyco Electronics Corporation  
Harrisburg, PA 17105-3608

PRODUCT SPEC: SIDE FEED HDM APPLICATOR

SIZE: A1, CAGE CODE: 00779, DRAWING NO: 1385635

CUSTOMER DRAWING