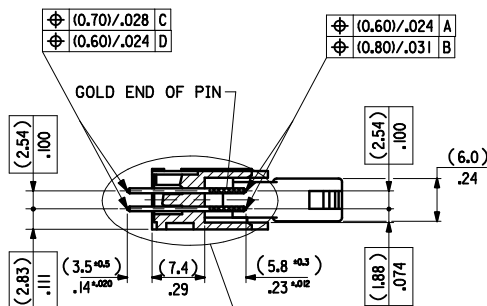
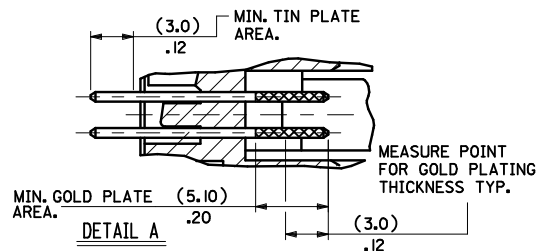


RECOMMENDED P.C.B.HOLE PATTERN.



SECTION F-F

SEE DETAIL A.



DIMENSIONS FOR SELECTIVE PLATING'S, SCALE 4:1

NOTES

- MATERIAL
HEADER : GLASS FILLED POLYESTER (UL 94VO), COLOUR - BLACK.
PINS : COPPER ALLOY □ SIZE (0.635)/.025 .
LEVER : GLASS FILLED POLYESTER (UL 94VO), COLOUR - BLACK.
- PLATING
90663-2**3, (1um)/.039uIn MIN. NICKEL UNDERPLATE. CONTACT AREA
GS3 PLATING (0.25um)/.010uIn MIN. GOLD. SOLDER AREA (3um)/.118uIn MIN. TIN.
- PRODUCT SPECIFICATION NO. : PS-99020-0015
- THIS RIB IS NOT PRESENT ON 10 & 14 CKT PARTS
- RECOMMENDED PCB THICKNESS 1.6mm

(78.74)/3.100	(86.34)/3.400	(90.52)/3.564	(96.62)/3.804	(100.74)/3.966	90663-2643	64
(60.69)/2.400	(68.56)/2.700	(72.74)/2.864	(78.84)/3.104	(82.96)/3.266	90663-2503	50
(48.26)/1.900	(55.86)/2.200	(60.04)/2.364	(66.14)/2.604	(70.26)/2.766	90663-2403	40
(35.56)/1.400	(43.16)/1.700	(47.34)/1.864	(53.44)/2.104	(57.56)/2.266	90663-2303	30
(30.48)/1.200	(38.08)/1.500	(42.26)/1.664	(48.36)/1.904	(52.48)/2.066	90663-2263	26
(22.86)/.900	(30.46)/1.200	(34.64)/1.364	(40.74)/1.604	(44.86)/1.766	90663-2203	20
(17.78)/.700	(25.38)/1.000	(29.56)/1.164	(35.66)/1.404	(39.78)/1.566	90663-2163	16
(15.24)/.600	(22.84)/.900	(27.02)/1.064	(33.12)/1.304	(37.24)/1.466	90663-2143	14
(10.16)/.400	(17.76)/.700	(21.94)/.864	(28.04)/1.104	(32.16)/1.266	90663-2103	10
A	B	C	D	E	ENG. NO. GS3 PLATING	NO. OF CKTS.

REMOVED REFS TO COLOR STAMP EC NO: E2011-0063 DRWN: J OCONNOR 2010/08/12 CHKD: 2010/08/25 APPR: ELOLAN 2010/08/30	QUALITY SYMBOLS ▽=0 ▽=0	GENERAL TOLERANCES (UNLESS SPECIFIED)	DIMENSION STYLE MM/IN	SCALE 2:1	DESIGN UNITS METRIC	THIRD ANGLE PROJECTION
		4 PLACES ± --- ± --- 3 PLACES ± --- ± .008 2 PLACES ± 0.20 ± .008 1 PLACE ± 0.20 ± --- ANGULAR ± 2 °	DRAWN BY CPHEHIR DATE 2000/09/15	TITLE QF50 SRD HDR VT SRF W/ELV .25AU	CHECKED BY ROCONNOR DATE 2000/09/15	Molex MOLEX INCORPORATED
DRAFT WHERE APPLICABLE MUST REMAIN WITHIN DIMENSIONS	SIZE A 2	APPROVED BY MWILHITE DATE 2000/09/15	MATERIAL NO. SEE CHART	DOCUMENT NO. SDA-90663E	SHEET NO. 5 OF 9	
THIS DRAWING CONTAINS INFORMATION THAT IS PROPRIETARY TO MOLEX INCORPORATED AND SHOULD NOT BE USED WITHOUT WRITTEN PERMISSION						