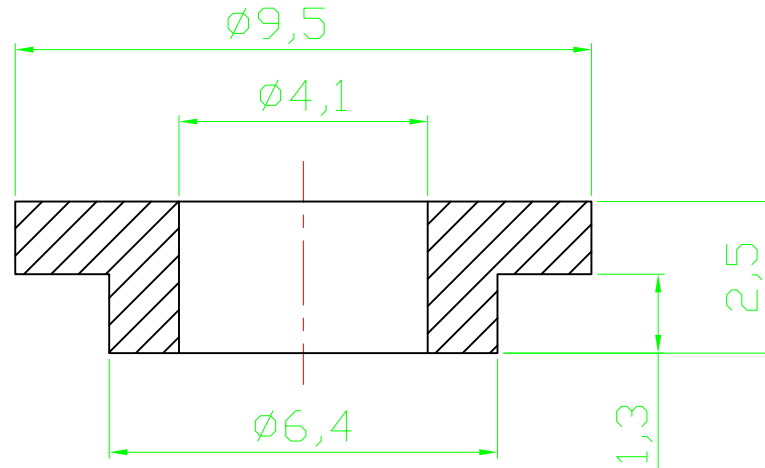


RoHS compliant



Notes  
 Material:SR25  
 Dielectric strength: 380kV/cm  
 Heat resistance:215°C  
 Tensile strength: 80N/mm

Scale	1:1					Date	Name	Customer-No.
TOLERANCE					Drawn	20.08.2009	Dean	
X.	±X				Approved	10.03.2010	Andy	ASSMANN WSW-No.
X.X	±X							V5818
X.XX	±X							Drawing-No.
DIM	TOL	②	Modify drawing layout	10.03.2010	Dean		ASS 0509 HS	rev02
X.°	±X°	①	Drawn	20.08.2009	Dean		Replace	Sheet
X.X°	±X°	①	Drawn	20.08.2009	Dean			
Angle	TOL	Id.	Modification	Date	Name			