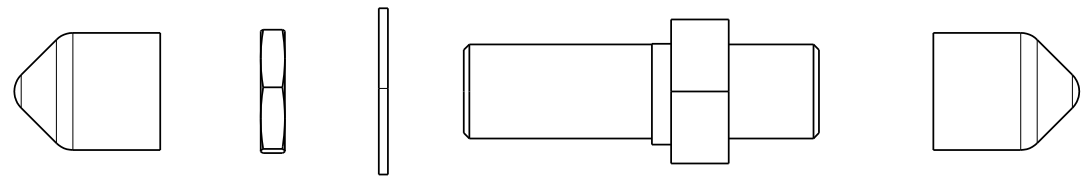
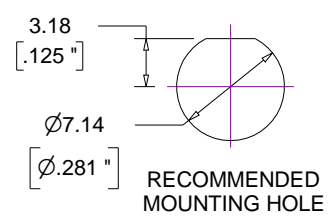
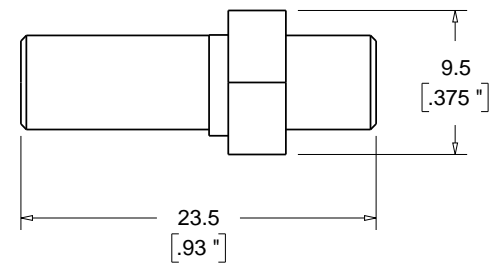
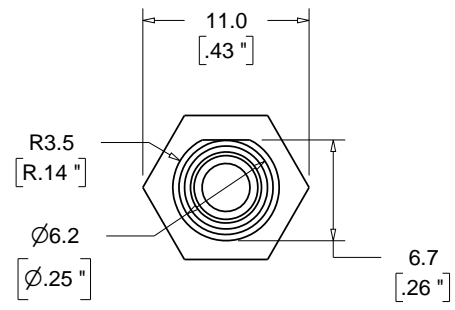


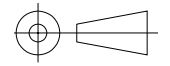
REVISIONS					
REV	DESCRIPTION	ECO	DATE	DWN	APVD
A1	Corrected material spec		8/10/2011	BB	AR



INCLUDES 8mm HEX NUT, LOCK WASHER AND TWO (2) DUST CAPS

UNLESS OTHERWISE SPECIFIED DIMENSIONS MILLIMETERS [IN.]	PRODUCT	IF 820064
	MATERIAL	Brass
TOLERANCES 0 PLC: ± 1 1 PLC: ± .25 2 PLC: ± .127 3 PLC: ± .025 4 PLC: ± .013 ANGLE: ± 1/2°	FINISH	Nickel Plated
	DRAWN BY	B. Bidwell
	DATE	1/6/2010
	CHECKED BY	A. Reyes
REMOVE BURRS AND SHARP EDGES FLATNESS .005mm PER mm ALL DIMENSIONS AFTER FINISH	DATE	1/6/2010
	SURFACE TEXTURE: 3.2 ✓	

Industrial Fiber Optics TEMPE, AZ 85281			
NAME <b>SMA Mating Sleeve</b>			
SIZE <b>A</b>	SCALE 2:1	PART NUMBER 820064	REV A1
DO NOT SCALE DRAWING		Sheet 1 of 1	



**METRIC**

