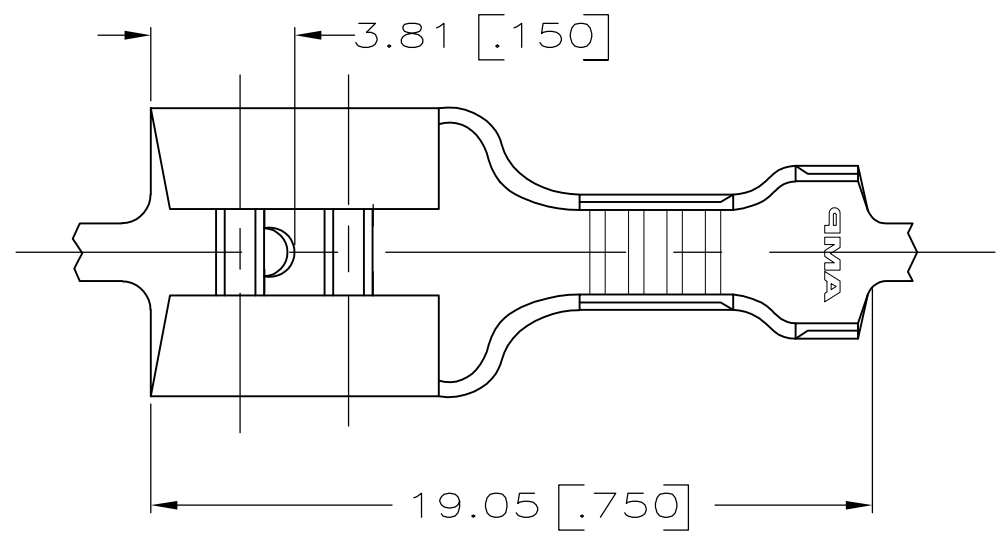
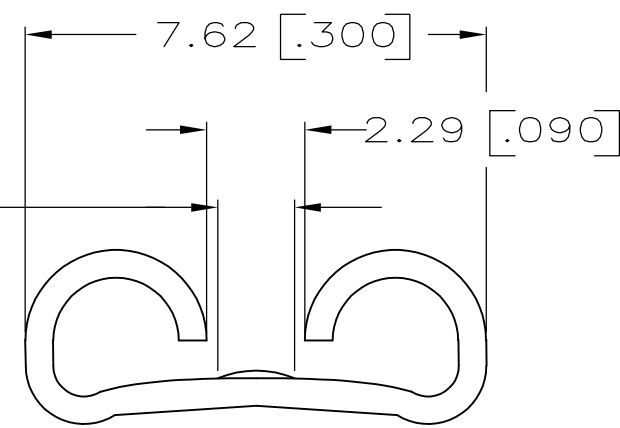


THIS DRAWING IS UNPUBLISHED. RELEASED FOR PUBLICATION
 © COPYRIGHT - By - ALL RIGHTS RESERVED.

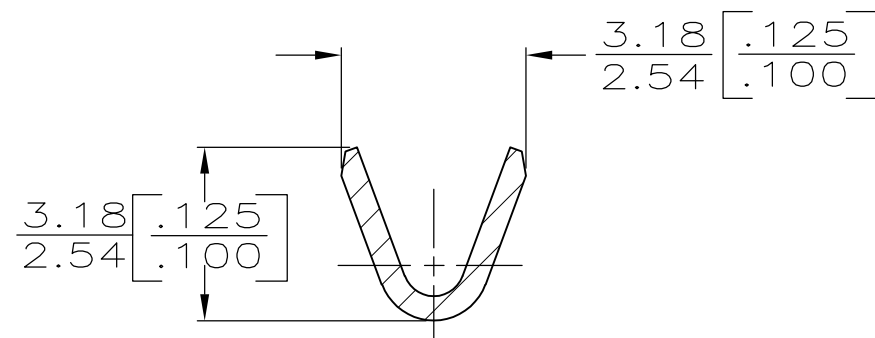
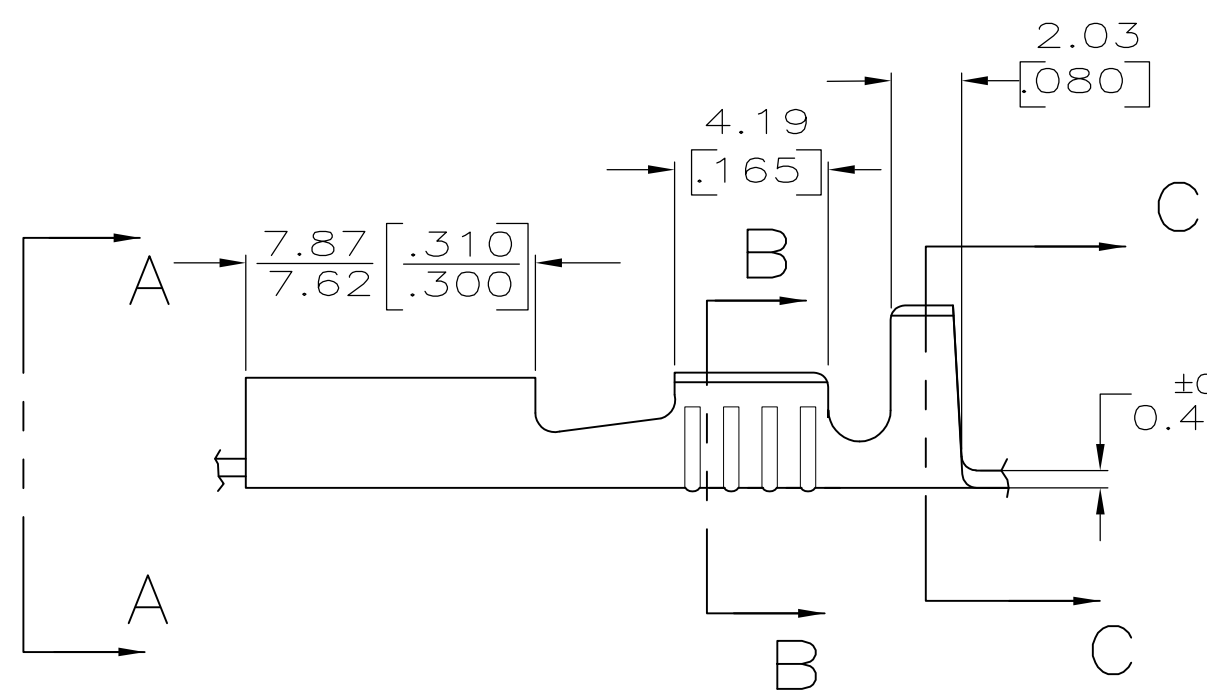
LOC	DIST	REVISIONS					
AF	50	P	LTR	DESCRIPTION	DATE	DWN	APVD
		AA		REVISED PER ECR-12-013445	18OCT12	KH	PD



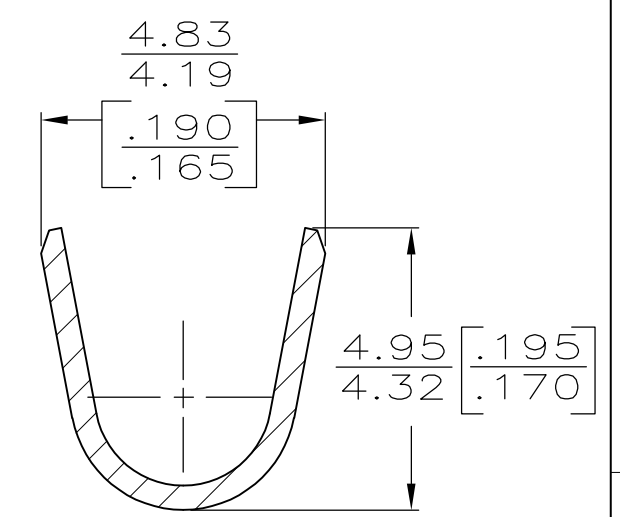
1.52 [.060]
1.27 [.050]



VIEW A-A
SCALE 8:1



SECTION B-B
SCALE 8:1



SECTION C-C
SCALE 8:1

- 1 DIMENSIONS IN BRACKETS ARE IN INCHES
- 2 CONTINUOUS STRIP ON REELS
- 3 FOREIGN PRODUCTION ONLY
- 4 FOREIGN PRODUCTION ONLY, INTERLEAVING PAPER REQUIRED
- 5 REELED UPSIDE DOWN WITH INTERLEAVING PAPER.
- 6 PRELIMINARY - NOT FOR PRODUCTION
- 7 FOR AMP ITALY ONLY, NOT STRESS RELIEVED.

2.29-3.30 [.090-.130]	0.3-0.8mm ² [22-18]	±0.025 ±.001 0.81 [.032]	7 1-41772-1
			6 41772-4
INSUL RANGE	WIRE SIZE	MATING TAB THK	4 41772-3
			3 41772-1
			41772
			PART NO

THIS DRAWING IS A CONTROLLED DOCUMENT.		DWN JR RUTH 4/26/89	STE TE Connectivity		
DIMENSIONS: mm [INCHES]		CHK MS FEHER 4/26/89			
TOLERANCES UNLESS OTHERWISE SPECIFIED:		APVD C MEYERS 4/26/89	NAME RECEPTACLE, FASTON™ .250 SERIES		
0 PLC ± -		PRODUCT SPEC -	SIZE CAGE CODE DRAWING NO RESTRICTED TO		
1 PLC ± -		APPLICATION SPEC 114-2036	A3 00779 C-41772		
2 PLC ± -		WEIGHT -	SCALE 5:1 SHEET 1 OF 1 REV AA		
3 PLC ± 0.25 [.010]		CUSTOMER DRAWING			
4 PLC ± -					
ANGLES ± -					
FINISH TIN					