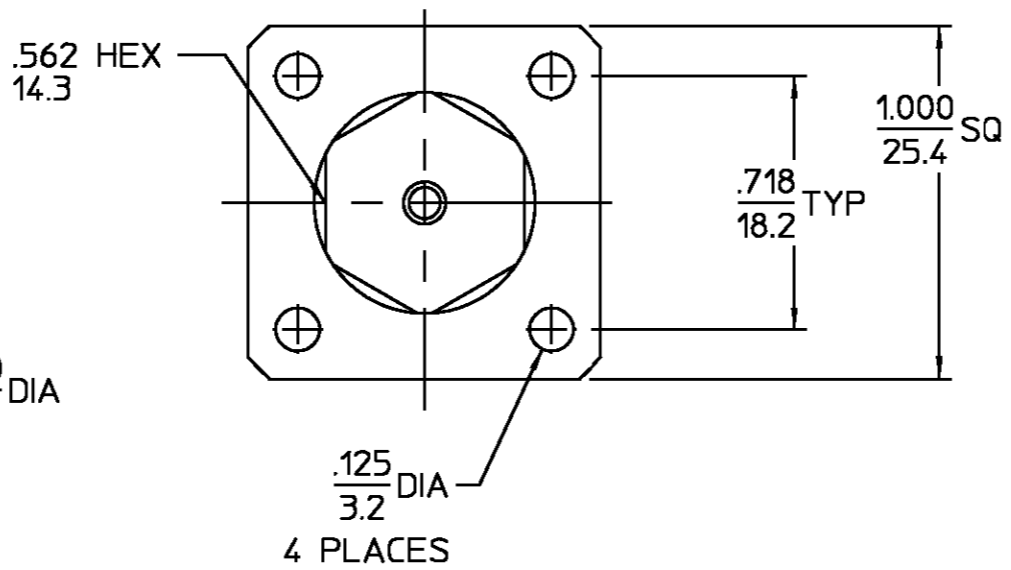
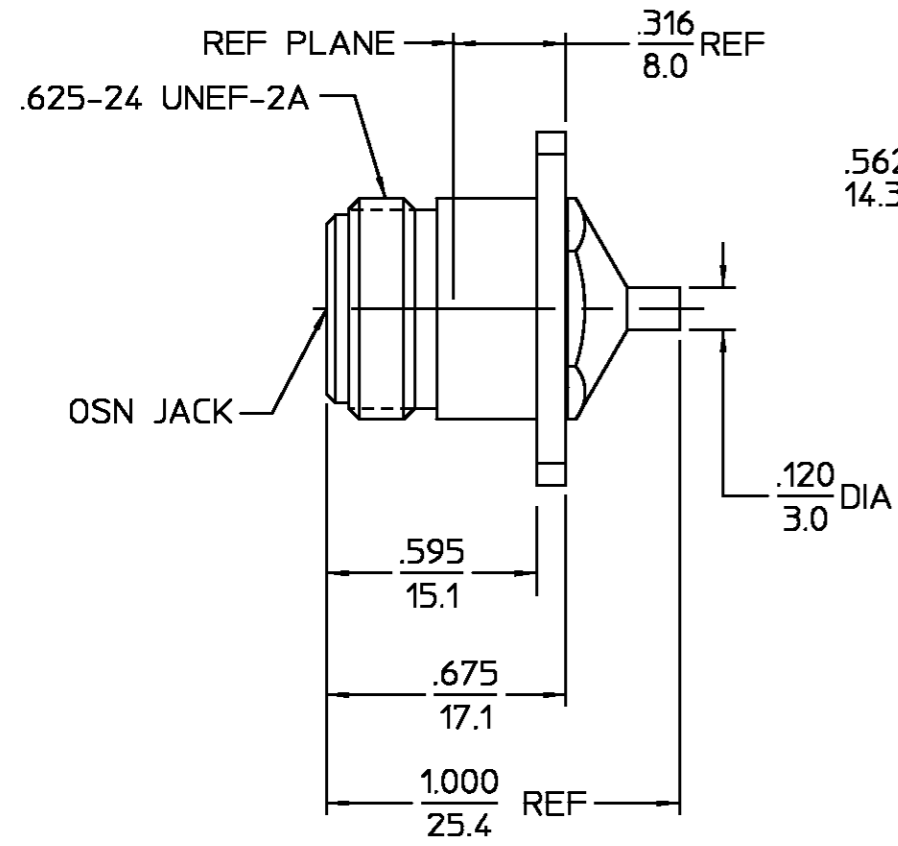


CABLE ENTRY DIAMETER MINIMUM	
HOUSING	.087
CONTACT	.023

REVISIONS			
REV	DESCRIPTION	DATE	APPROVED
020	REVISED	JD	12/11/95



NOTES:  
1. DESIGNED FOR USE WITH .085 SEMI-RIGID CABLE

HOUSING	STAINLESS STEEL PER ASTM-A484 AND ASTM-A582, TYPE 303	GOLD PLATE PER MIL-G-45204
HOUSING	BRASS PER QQ-B-626 COMP. 360, HALF HARD	GOLD PLATE PER MIL-G-45204
DIELECTRIC	TFE FLUOROCARBON PER ASTM-D-1457	N/A
CENTER CONTACT	BERYLLIUM COPPER PER ASTM B 196 ALLOY C17300, CONDITION H	GOLD PLATE PER MIL-G-45204
COMPONENT	MATERIAL	FINISH

UNLESS OTHERWISE SPECIFIED DIMENSIONS ARE IN INCHES

TOLERANCE ON	FRAC.	DEC.	ANGLES
	$\pm 1/64$	$\pm .005$	$\pm 1^\circ$

These drawings and specifications are the property of M/A-COM Incorporated and shall not be reproduced or copied or used in whole or in part as the basis for the manufacture or sale of item(s) without written permission.

DRAWN BY	E. J. C.	DATE	8/2/68
CHECKED BY	P. R. B.	DATE	8/2/68
APPROVED BY	C. P. R.	DATE	8/2/68

**AMP** Incorporated  
140 Fourth Avenue  
Waltham, MA 02451-7599

USE ASS'Y PROCEDURE

408-04912  
NO. AP. (30-004)

TITLE OSN FLANGE MOUNT CABLE JACK-DIRECT SOLDER ATTACHMENT			
SIZE	CODE IDENT NO.	REV	
B	26805	020	
SCALE 2 : 1		SHEET 1 OF 1	