

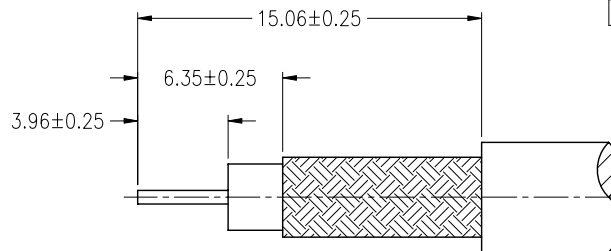
NOTES:

- MATERIALS AND FINISHES:
 BODY - BRASS, NICKEL PLATING
 CONTACT - BRASS, GOLD PLATING
 INSULATOR - PTFE, NATURAL
- ELECTRICAL:
 A. IMPEDANCE: 50 OHM
 B. FREQUENCY RANGE: DC 0-2 GHz
 C. DIELECTRIC WITHSTANDING VOLTAGE: 1500 VRMS, MIN.
- MECHANICAL:
 A. DURABILITY: 500 CYCLES MIN.
 B. TEMPERATURE RANGE: - 65°C to +165°C
- SOLDER CONTACT TO CABLE.
 WHEN CRIMPING CONTACT TO CABLE, CRIMP WITH AMPHENOL TOOL 227-944 (M22520/5-01) AND DIE SET 227-1221-13, CAVITY 'B' (M22520/5-13, CLOSURE 'B')
- WHEN CRIMPING FERRULE TO CABLE, CRIMP WITH AMPHENOL TOOL 277-944 (M22520/5-01) AND DIE SET 227-1221-13 CAVITY 'A' (M22520/5-13 CLOSURE 'A')

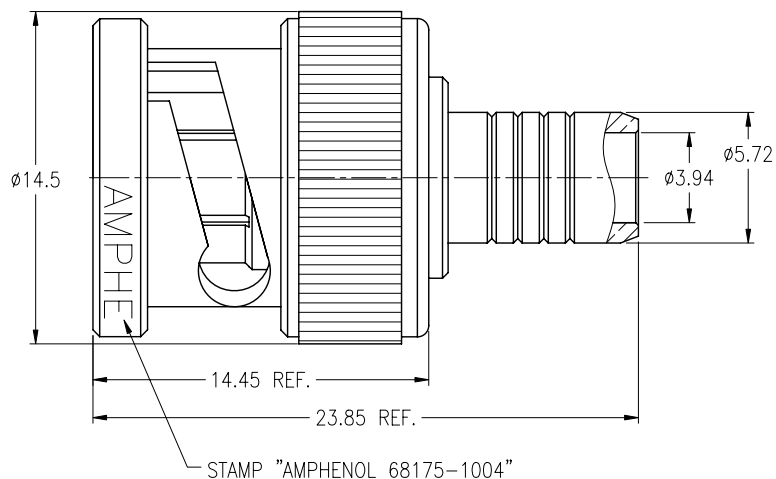
THIRD ANGLE PROJ.

REVISIONS

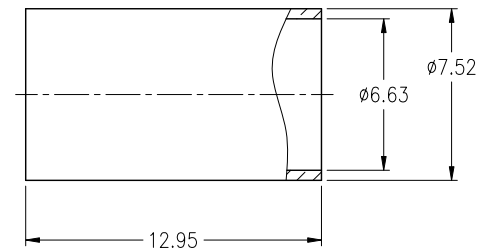
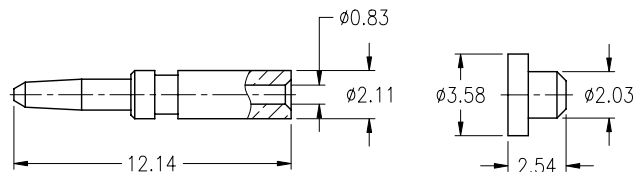
| REV | DESCRIPTION | DATE | ECO | APPR |
|-----|---------------------------------|-----------|-------|--------|
| A2 | SEE SHEET 1 | 30-Oct-02 | -- | RICHER |
| A3 | SEE SHEET 1 | 30-Jun-05 | -- | KERRY |
| B | SEE SHEET 1 | 12-Mar-08 | -- | SUSAN |
| K | REDRAWN TO UPDATE FORMAT | 26-Dec-08 | 47204 | SH |
| L | SEE SHEET 1 | 09-Sep-10 | 47967 | SH |
| M | NOTE 4 WAS CHANGED\RD-10121301F | 27-Dec-10 | 48342 | SH |



RECOMMENDED
CABLE STRIPPING DIM'S



STAMP "AMPHENOL 68175-1004"



THIS CONNECTOR IS COVERED BY U.S. PATENT 3,336,563

CUSTOMER OUTLINE DRAWING
ALL OTHER SHEETS ARE FOR INTERNAL USE ONLY

UNLESS OTHERWISE SPECIFIED, DIMENSIONS ARE IN METRIC AND TOLERANCES ARE:
 <0.5mm ±0.05mm 0.5 - 6mm ±0.1mm 6 - 30mm ±0.2mm 30 - 120mm ±0.3mm ANGLES ±1°

NOTICE - These drawings, specifications, or other data (1) are, and remain the property of Amphenol Corp. (2) must be returned upon request; and (3) are confidential and not to be disclosed to any person other than those to whom they are given by Amphenol Corp. The furnishing of these drawings, specifications, or other data by Amphenol Corp., or to any other person to anyone for any purpose is not to be regarded by implication or otherwise in any manner licensing, granting rights or permitting such holder or any other person to manufacture, use or sell any product, process or design, patented or otherwise, that may in any way be related to or disclosed by said drawings, specifications, or other data.

| | | | | | | |
|-----------|--|--|------------------|------------------------|--|--|
| MATERIAL | DRAWN F.WANG DATE 27-Dec-10 | TITLE BNC CRIMP PLUG (FOR RG-62/U CABLE) | | | Amphenol RF Danbury CT USA, Tainan Taiwan, Shenzhen China www.amphenolrf.com | |
| REFERENCE | ENGINEER S.LI DATE 27-Dec-10 | SCALE: 3/1 | SHEET 2 OF 2 | DRAWING NO. 68175-1004 | | |
| FINISH | APPROVED S.HSIEH DATE 27-Dec-10 | DWG SIZE B | CODE ID 74868 | REV M | ITEM NO. 68175-1004 | |
| | F:\DWG\CNPD\68175\1004-MSZ | | | | PART NO. 68175-1004 | |