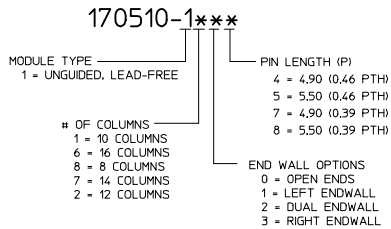
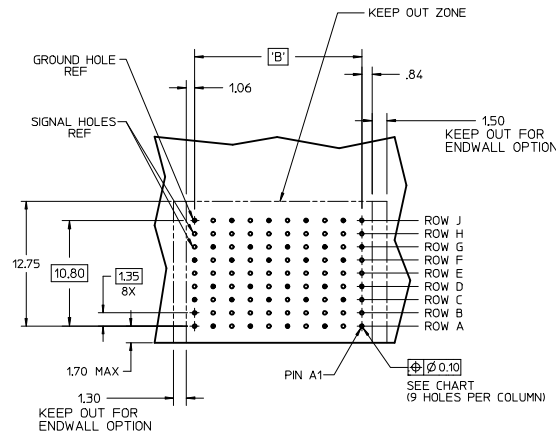
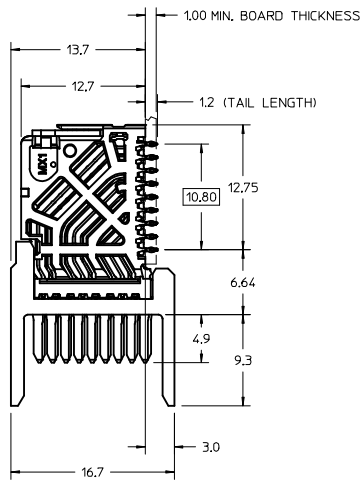
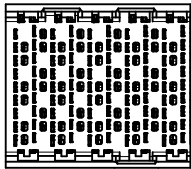
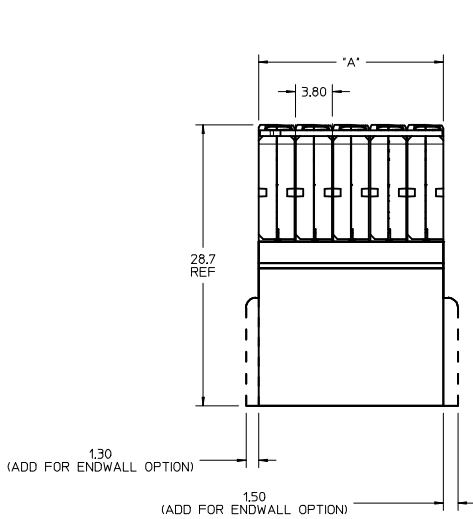


MATERIAL NUMBER	# OF COLUMNS	# OF DIFF PAIR	DIM 'A' MAX	DIM 'B'	PTH ϕ
170510-18**	8	24	15.20	13.30	0.46+0.05
170510-11**	10	30	19.00	17.10	0.46+0.05
170510-16**	16	48	30.40	28.50	0.46+0.05
170510-18**	8	24	15.20	13.30	0.39+0.05
170510-11**	10	30	19.00	17.10	0.39+0.05
170510-16**	16	48	30.40	28.50	0.39+0.05
170510-17**	14	42	26.60	24.70	0.46+0.05
170510-17**	14	42	26.60	24.70	0.39+0.05
170510-12**	12	36	22.80	20.90	0.46+0.05
170510-12**	12	36	22.80	20.90	0.39+0.05

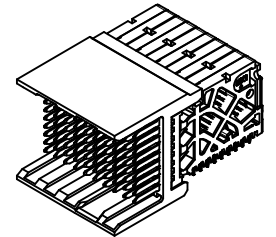


NOTES:

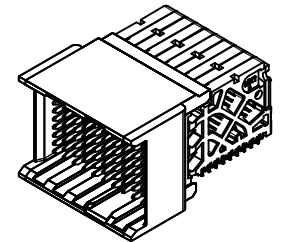
- MATERIALS: HOUSING - LIQUID CRYSTAL POLYMER (LCP), GLASS-FILLED, UL94V-0
TERMINALS - HIGH PERFORMANCE COPPER ALLOY
- FINISH: 30HN SELECTIVE GOLD IN CONTACT AREA, SELECTIVE TIN ON PCB TAILS, NICKEL OVERALL.
- REFER TO MOLEX PRODUCT SPECIFICATION PS-170540-999 FOR PERFORMANCE SPECIFICATIONS AND ADDITIONAL PCB INFORMATION.
- EACH SIGNAL WAFER CONTAINS 2 COLUMNS OF TERMINALS.
- PRODUCT IS PACKAGED PER PK-70873-041.
- THIS PART CONFORMS TO CLASS B REQUIREMENTS OF COSMETIC SPEC PS-45499-002.
- REFER TO MOLEX SALES DRAWING SD-170340-001 FOR THE MATING RECEPTACLES.
- REFER TO MOLEX PCB ROUTING GUIDE AS-76060-990 FOR ANTIPAD AND ROUTING RECOMMENDATIONS.
- GROUND PATHS ARE NOT DISCRETE CIRCUITS.



RAM HOLE PATTERN (CONNECTOR SIDE)



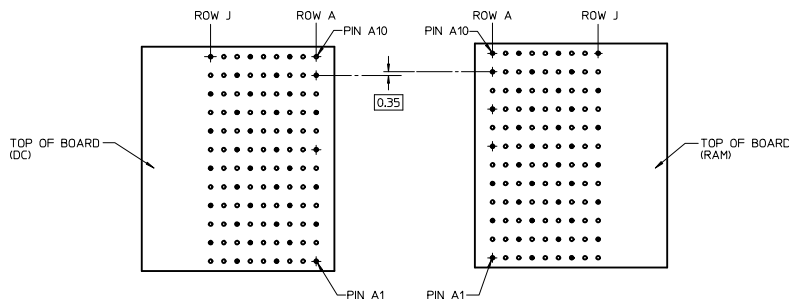
OPEN END OPTION



DUAL WALL OPTION

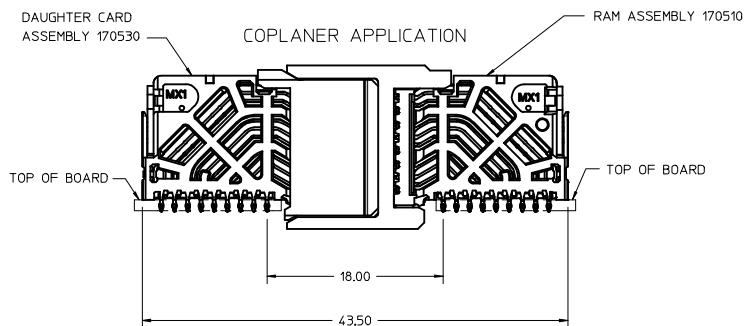
PROPOSED IEC NO. UICP2014-5127 DRAWN: MKRAUSE 2014/04/24 CHKD: APPR: TELO 2014/06/13	QUALITY SYMBOLS	GENERAL TOLERANCES (UNLESS SPECIFIED)	DIMENSION STYLE	SCALE	DESIGN UNITS	THIRD ANGLE PROJECTION
	$\nabla=0$	4 PLACES ± mm ± INCH	MM ONLY	4:1	METRIC	
	$\nabla=0$	3 PLACES ± 0.13 ± ---				
	$\nabla=0$	1 PLACE ± 0.25 ± --- 0 PLACE ± --- ± ---				
	ANGULAR ±1/2° DRAFT WHERE APPLICABLE MUST REMAIN WITHIN DIMENSIONS		MATERIAL NO.	DATE	TITLE	
			SEE CHART	2014/03/13	IMPACT 3P 85 OHM RAM SIGNAL MODULE ASSEMBLY UNGUIDED SALES DRAWING	
			SIZE D		molex	
					DOCUMENT NO. SD-170510-0002	SHEET NO. 1 OF 2
					THIS DRAWING CONTAINS INFORMATION THAT IS PROPRIETARY TO MOLEX INCORPORATED AND SHOULD NOT BE USED WITHOUT WRITTEN PERMISSION	

20 19 18 17 16 15 14 13 12 11 10 9 8 7 6 5 4 3 2 1



COPLANAR MATED SIGNAL PATHS

DC PIN A10-----RAM PIN A10
 DC PIN A1-----RAM PIN A1



PROPOSED IEC NO. UCF2014-5127 DRAWN: MKRAUSE CHKD: APPR: TELO DATE: 2014/04/24 2014/06/13 A1	QUALITY SYMBOLS	GENERAL TOLERANCES (UNLESS SPECIFIED)	DIMENSION STYLE	SCALE	DESIGN UNITS	THIRD ANGLE PROJECTION
	▽=0	4 PLACES ± mm ± INCH	MM ONLY	4:1	METRIC	☉
	▽=0	3 PLACES ± 0.13 ± --- ± ---				
	▽=0	1 PLACE ± 0.25 ± --- ± ---				
		0 PLACE ± --- ± ---				
		ANGULAR ±1/2°				
		DRAFT WHERE APPLICABLE MUST REMAIN WITHIN DIMENSIONS				
			DRAWN BY	DATE	TITLE	
			MKRAUSE	2013/05/31	IMPACT 3P 85 OHM RAM SIGNAL MODULE ASSEMBLY	
			CHECKED BY	DATE	UNGUIDED SALES DRAWING	
			APPROVED BY	DATE	molex	
			TELO	2014/03/13	DOCUMENT NO. SD-170510-0002	
			MATERIAL NO.		SHEET NO. 2 OF 2	
			SEE CHART		THIS DRAWING CONTAINS INFORMATION THAT IS PROPRIETARY TO MOLEX INCORPORATED AND SHOULD NOT BE USED WITHOUT WRITTEN PERMISSION	

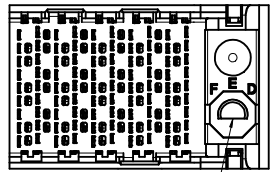
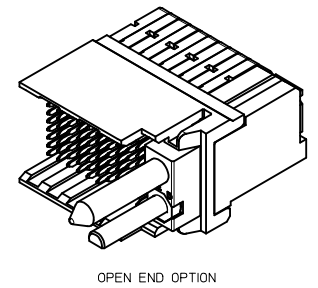
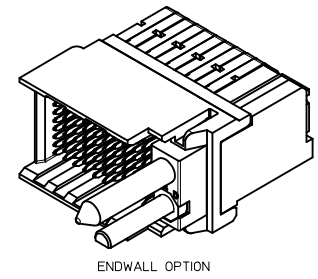
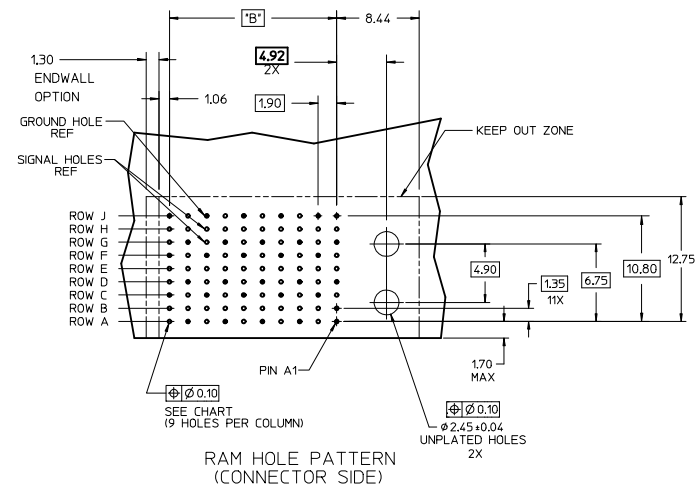
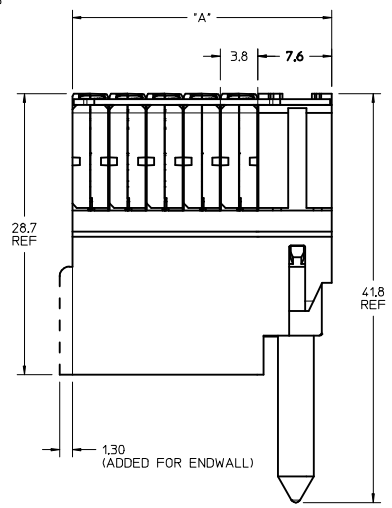
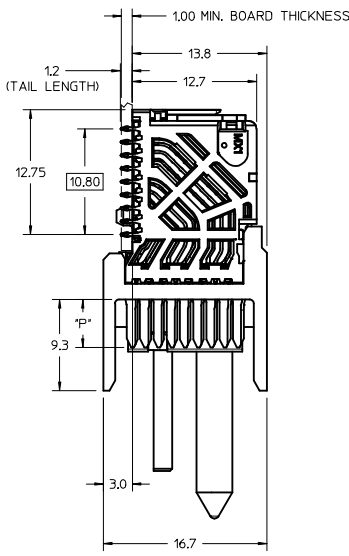
19 18 17 16 15 14 13 12 11 10 9 8 7 6 5 4 3 2 1

MATERIAL NUMBER	# OF COLUMNS	# OF DIFF PAIR	DIM 'A' MAX	DIM 'B'	PTH ϕ
170510-#8**	8	24	22.80	13.30	0.46±0.05
170510-#8**					0.39±0.05
170510-#1**	10	30	26.60	17.10	0.46±0.05
170510-#1**					0.39±0.05
170510-#2**	12	36	30.40	20.90	0.46±0.05
170510-#2**					0.39±0.05
170510-#7**	14	42	34.20	24.70	0.46±0.05
170510-#7**					0.39±0.05
170510-#6**	16	48	38.00	28.50	0.46±0.05
170510-#6**					0.39±0.05

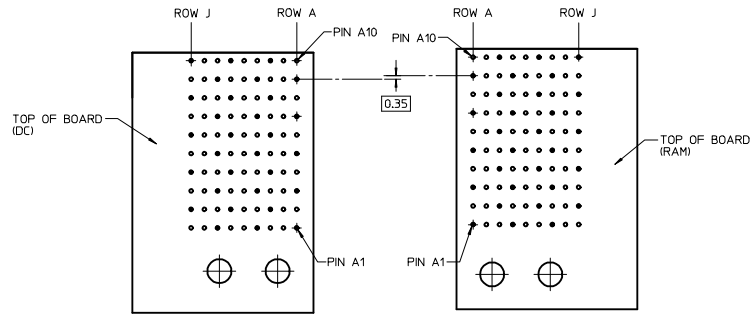
170510-****

- MODULE TYPE
 5 = RIGHT GUIDED, LEAD-FREE
 9 = RIGHT GUIDED, LEAD-FREE W/ ENDWALL
- PIN LENGTH (P)
 4 = 4.90 (0.46 PTH)
 5 = 5.50 (0.46 PTH)
 7 = 4.90 (0.39 PTH)
 8 = 5.50 (0.39 PTH)
- # OF COLUMNS
 1 = 10 COLUMNS
 2 = 12 COLUMNS
 6 = 16 COLUMNS
 7 = 14 COLUMNS
 8 = 8 COLUMNS
- KEY ORIENTATION
 0 = NO KEY
 1 = A 5 = E
 2 = B 6 = F
 3 = C 7 = G
 4 = D 8 = H

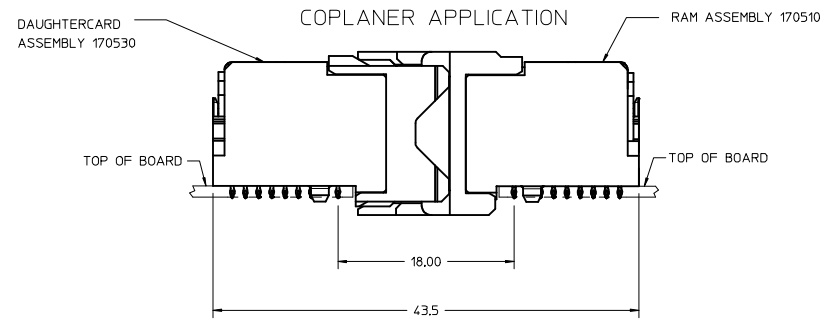
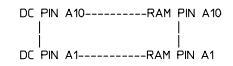
- NOTES:
- MATERIALS: HOUSING - LIQUID CRYSTAL POLYMER (LCP), GLASS-FILLED, UL94V-0
TERMINALS - HIGH PERFORMANCE COPPER ALLOY
 - FINISH: 30MIN SELECTIVE GOLD IN CONTACT AREA, SELECTIVE TIN ON PCB TAILS, NICKEL OVERALL.
 - REFER TO MOLEX PRODUCT SPECIFICATION PS-170510-999 FOR PERFORMANCE SPECIFICATIONS AND ADDITIONAL PCB INFORMATION.
 - EACH SIGNAL WAFER CONTAINS 2 COLUMNS OF TERMINALS.
 - PRODUCT IS PACKAGED PER PK-70873-041.
 - THIS PART CONFORMS TO CLASS B REQUIREMENTS OF COSMETIC SPEC PS-45499-002.
 - REFER TO MOLEX SALES DRAWING SD-170340-002 FOR THE MATING RECEPTACLES.
 - REFER TO MOLEX PCB ROUTING GUIDE AS-76060-990 FOR ANTIPAD AND ROUTING RECOMMENDATIONS.
 - CONNECTORS SUPPLIED WITH A 2-32 SCREW 73726-0000 (9.5mm ±.38mm THREADABLE SCREW LENGTH), THE MAX BOARD THICKNESS IS 4.4mm.
 - GUIDE RIGHT RAM MATES WITH A GUIDE LEFT DAUGHTERCARD.
 - GROUND PATHS ARE NOT DISCRETE CIRCUITS.



PROPOSED IEC NO. UICP2014-3648 DRAWN/MKRAUSE CHYD APPR:TELO 2014/03/19	QUALITY SYMBOLS ∇=0 ∇=0 ∇=0	GENERAL TOLERANCES (UNLESS SPECIFIED) mm INCH		DIMENSION STYLE MM ONLY	SCALE 4:1	DESIGN UNITS METRIC	THIRD ANGLE PROJECTION
		4 PLACES ± --- ± --- 3 PLACES ± --- ± --- 2 PLACES ± 0.13 ± --- 1 PLACE ± 0.25 ± --- 0 PLACE ± --- ± ---		DRAWN BY DATE MKRAUSE 2013/05/31	CHECKED BY DATE DATE	TITLE IMPACT 3P 85 OHM RAM RIGHT GUIDED ASSEMBLY SALES DRAWING	
ANGULAR ±1/2° DRAFT WHERE APPLICABLE MUST REMAIN WITHIN DIMENSIONS		MATERIAL NO. SEE CHART		APPROVED BY DATE TELO 2014/03/19		DOCUMENT NO. SD-170510-0004	
THIS DRAWING CONTAINS INFORMATION THAT IS PROPRIETARY TO MOLEX INCORPORATED AND SHOULD NOT BE USED WITHOUT WRITTEN PERMISSION							



COPLANAR MATED SIGNAL PATHS



PROPOSED IEC NO. UCP2014-3648 DRAWN: MKRAUSE CHKD: TELO APPR: TELO DATE: 2014/03/19	QUALITY SYMBOLS	GENERAL TOLERANCES (UNLESS SPECIFIED)	DIMENSION STYLE	SCALE	DESIGN UNITS	THIRD ANGLE PROJECTION
	▽=0	4 PLACES ± mm ± INCH	MM ONLY	4:1	METRIC	☉
	▽=0	3 PLACES ± 0.13 ± 0.005				
	▽=0	2 PLACES ± 0.25 ± 0.010				
		ANGULAR ±1/2°	DRAWN BY	DATE	TITLE	
		DRAFT WHERE APPLICABLE MUST REMAIN WITHIN DIMENSIONS	MKRAUSE	2013/05/31	IMPACT 3P 85 OHM RAM RIGHT GUIDED ASSEMBLY SALES DRAWING	
			CHECKED BY	DATE	molex	
			TELO	2014/03/19	SD-170510-0004	
			APPROVED BY	DATE	DOCUMENT NO.	
			TELO	2014/03/19	SD-170510-0004	
			MATERIAL NO.	DATE	SHEET NO.	
			SEE CHART		2 OF 2	
			SIZE D	THIS DRAWING CONTAINS INFORMATION THAT IS PROPRIETARY TO MOLEX INCORPORATED AND SHOULD NOT BE USED WITHOUT WRITTEN PERMISSION		