

C. Westlake 10-15-92
 APPROVED BY/DATE
 REV 2

SAFETY ORGANIZATION(S).

THIS FILTER HAS BEEN FORMALLY RECOGNIZED, CERTIFIED OR APPROVED BY THE LISTED AGENCY. THEREFORE, ALL TEST/REQUIREMENTS SPECIFIED IN THE LATEST REVISION OF THE FOLLOWING AGENCY STANDARDS HAVE BEEN MET:

UL RECOGNIZED
 CSA CERTIFIED
 VDE APPROVED

UL 1283
 CSA 22.2, NO. 0.0.4, 8
 VDE 565-3

OPERATING SPECIFICATIONS.

LINE VOLTAGE/CURRENT:
 10 AMP., 120/250 VAC
 8 AMP/40°C, 250 VAC
 50-60Hz

LINE FREQUENCY:
 .30 mA @ 120V 60Hz
 .50 mA @ 250V 50Hz

MAX. LEAKAGE CURRENT, EACH
 LINE TO GROUND

OPERATING AMBIENT TEMP. RANGE:
 -10°C TO +40°C @ RATED CURRENT, I_r

IN AN AMBIENT, T_a , HIGHER THAN 40°C, THE MAXIMUM OPERATING CURRENT, I_o , IS AS FOLLOWS:

$$I_o = I_r \sqrt{\frac{85 - T_a}{45}}$$

RELIABILITY SPECIFICATIONS.

STORAGE TEMPERATURE:
 -25°C TO +85°C

HUMIDITY:
 21 DAYS @ 40°C 95% RH

CURRENT OVERLOAD TEST:
 6 TIMES RATED CURRENT FOR 8 SECONDS

TEST SPECIFICATIONS.

INDUCTANCE:
 L 7.83 mH NOMINAL
 N 7.866 mH NOMINAL

CAPACITANCE, (MEASURED @ 1 KHz, 0.25 VAC MAX., 25°C ±1°C)

LINE TO GROUND:
 .004µF ±20%

LINE TO LINE:
 .74µF ±20%

DISCHARGE RESISTOR:
 330KΩ

LINE/GROUND AND LINE/LINE
 INSULATION RESISTANCE
 (W/O DISCHARGE RESISTOR)
 6000 MΩ (MIN) AT 100 VDC
 20°C AND 50% RH

RECOMMENDED RECEIVING INSPECTION HIPOUT.

2250 VDC FOR 1 MINUTE
 1450 VDC FOR 1 MINUTE

FILTER APPROVAL.

THE BEST WAY TO SELECT AND QUALIFY A FILTER IS FOR YOUR ENGINEERING TO TEST THE UNIT IN YOUR EQUIPMENT.

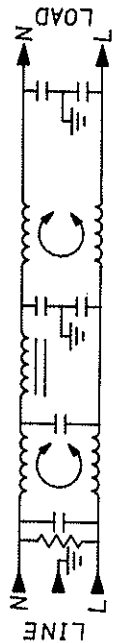
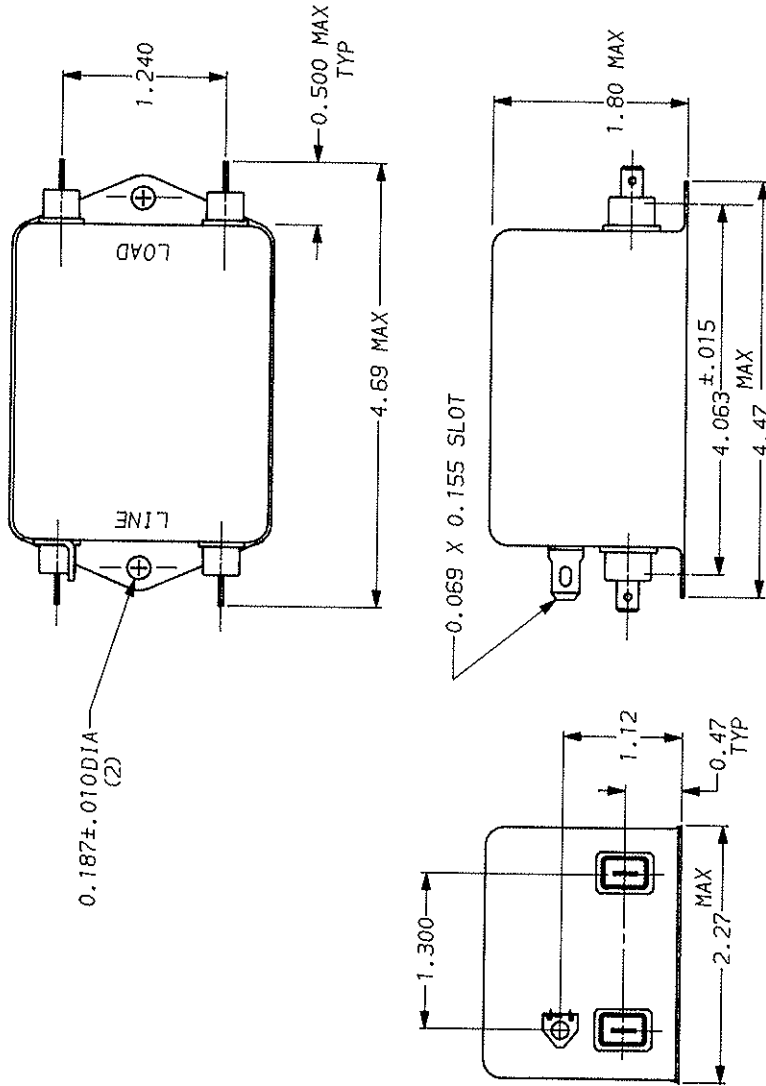
TOLERANCE EXCEPT AS NOTED

DECIMAL: .XXX .XX .X ANGLES
 ENGLISH: ±.025 ±1°
 METRIC: ±

MATERIAL: AS SUPPLIED

FINISH:

This document is proprietary to CORCOM INC. and is not to be reproduced nor used for manufacturing purposes except on CORCOM's order or prior written consent.



| 50Ω - 50Ω (MINIMUM) INSERTION LOSS | | | | | | | | | | | |
|------------------------------------|-----|-----|-----|----|-----|----|----|----|----|----|----|
| FREQUENCY MHz | .01 | .05 | .07 | .1 | .15 | .5 | 1 | 5 | 10 | 20 | 30 |
| COMMON dB | 8 | 15 | 15 | 18 | 42 | 64 | 65 | 65 | 65 | 60 | 60 |
| DIFF. dB | 5 | 5 | 5 | 26 | 40 | 65 | 65 | 60 | 70 | 70 | 70 |



POWER LINE FILTER

SCALE: NTS 8-16-90
 DATE: 8-16-90
 REV: 10EG1.02