

Copyright FCI.
FCI

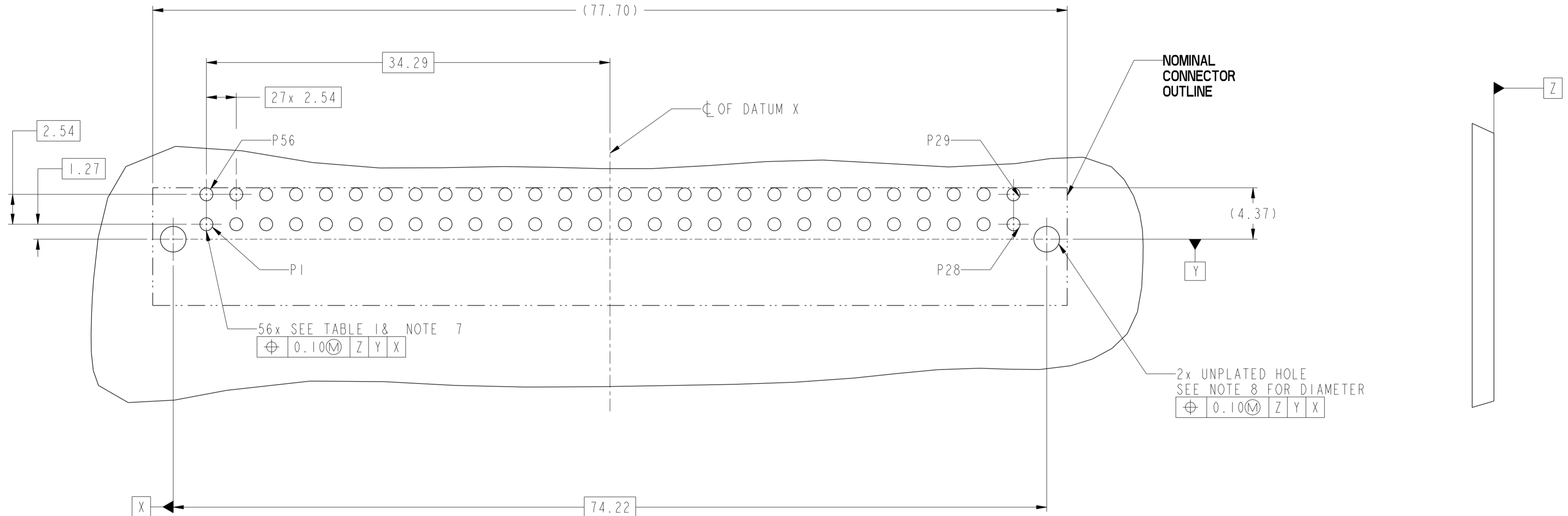
spec ref	dr	Hai-Ling Liu	2014/08/04	projection	MM	size	A2	scale	1:1
tolerance std	eng	Hai-Ling Liu	2014/08/07			ecn no	-	rel level	Released
TOLERANCES UNLESS OTHERWISE SPECIFIED	chr	-	-						
	appr	Pai-Ming Zheng	2014/08/07						
surface	linear	0.X	±0.50			dwg no	10131216	rev	A
		0.XX	±0.25	www.fci.com		cat. no.	-	Product - Customer Drw	sheet 1 of 4
	angular	0°	±2°						

PDS: Rev :A

STATUS:Released

Printed: Aug 07, 2014

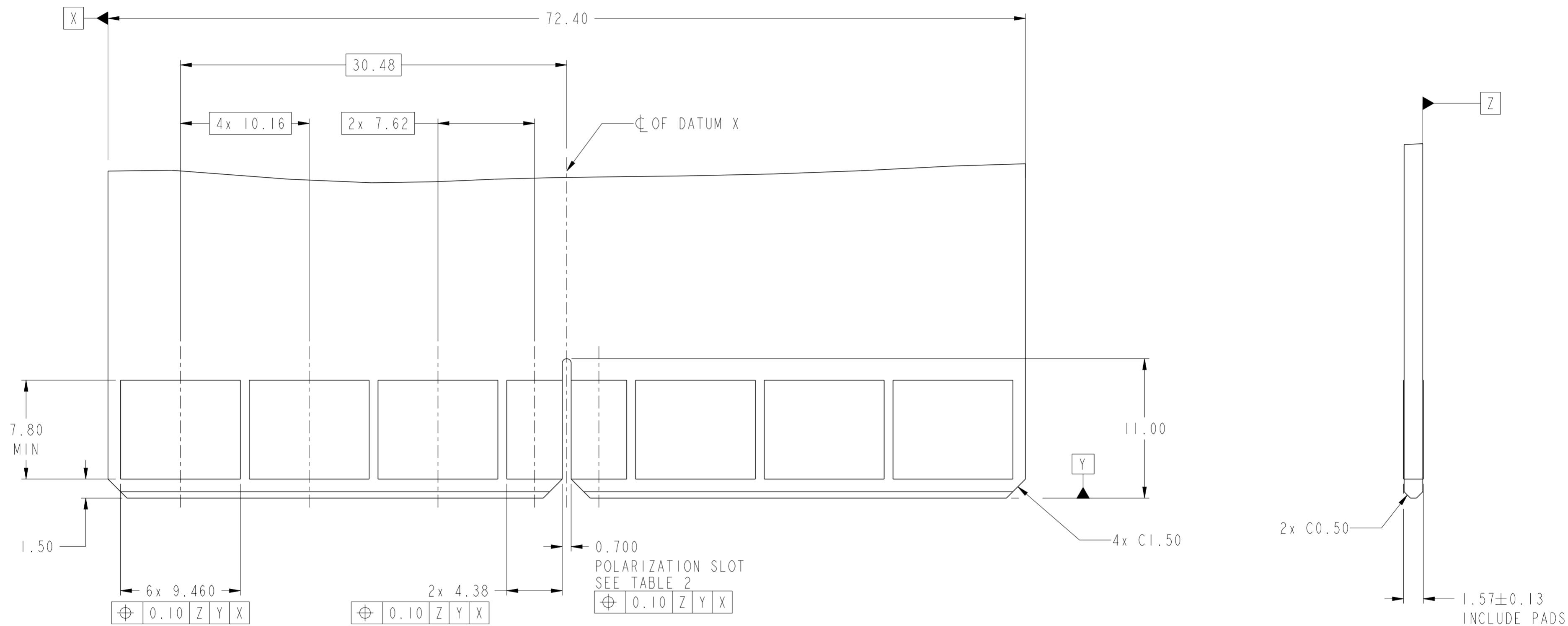
CONTACT TYPE	TOP LAYER DESCRIPTION	TABLE 1 (HPCE / SOLDER TAILS) PLATED THROUGH-HOLE REQUIREMENTS				
		DRILLED HOLE DIAMETER	COPPER THICKNESS	TIN-LEAD THICKNESS	TIN THICKNESS	FINISHED HOLE DIAMETER
POWER	TIN-LEAD	1.10-1.16 (1.15 DRILL)	0.025 - 0.050	0.005 - 0.015	--	0.94 - 1.10
	IMMERSION TIN	1.10-1.16 (1.15 DRILL)	0.025 - 0.050	--	0.9 - 1.5um	0.94 - 1.10
	COPPER	1.10-1.16 (1.15 DRILL)	0.025 - 0.050	--	--	0.94 - 1.10



RECOMMENDED PCB LAYOUT
DIMENSION TOLERANCE IS $\pm 0.05\text{mm}$

dr	Hai-Ling Liu	2014/08/04	projection	MM	size	A2	scale	1:1
eng	Hai-Ling Liu	2014/08/07			ecn no	-	-	-
chr	-	-						
appr	Pei-Ming Zheng	2014/08/07	product family	-	rel level	-	Released	-
			title R/A RECT 56P HIGH POWER CARD EDGE			dwg no 10131216		rev A
www.fci.com			cat. no.			Product - Customer Drw sheet 2 of 4		

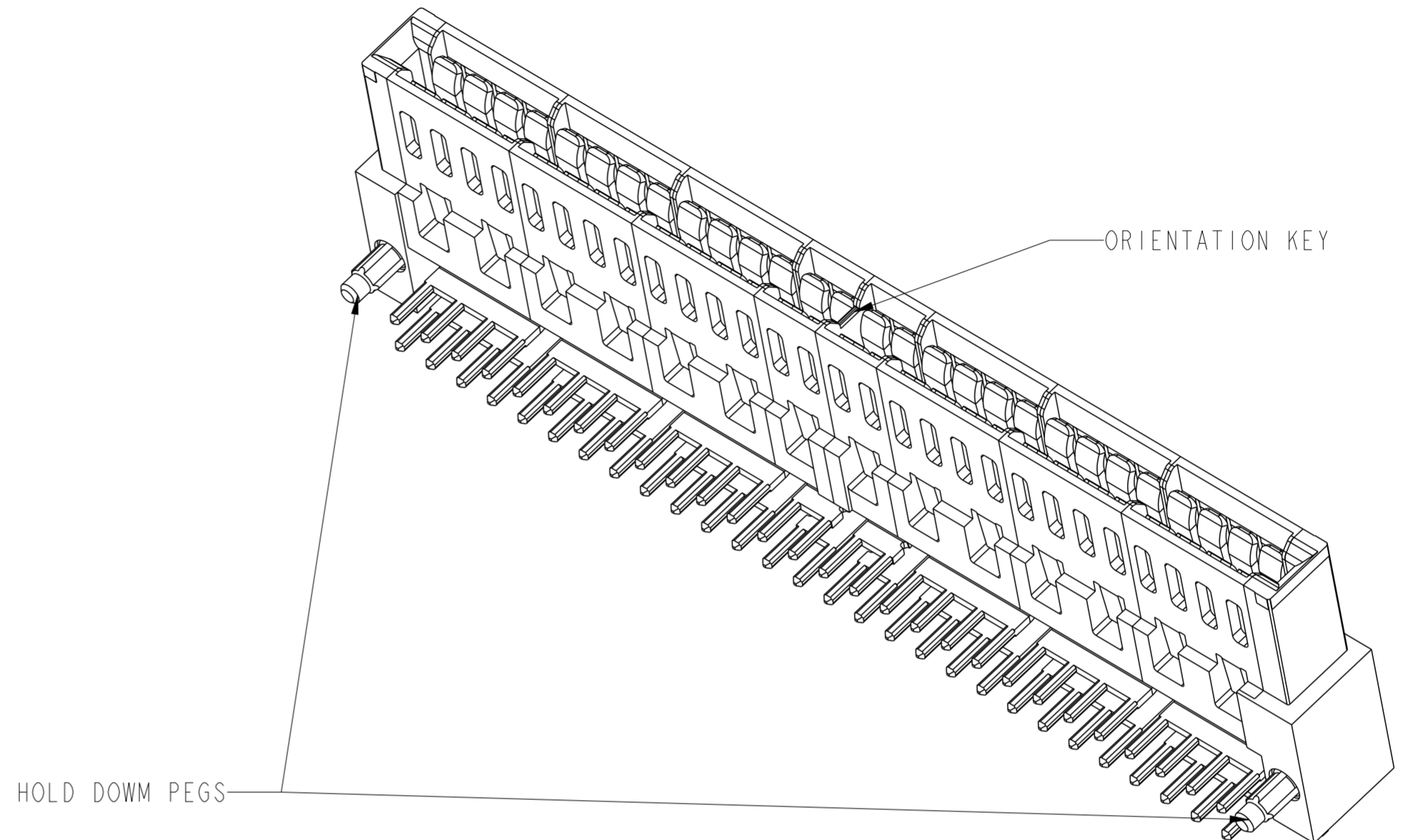




RECOMMENDED MATING BOARD
 FOOT PRINT
 DIMENSION TOLERANCE IS $\pm 0.05\text{mm}$

dr	Hai-Ling Liu	2014/08/04	projection	MM	size	A2	scale	1:1
eng	Hai-Ling Liu	2014/08/07			ecn no	-	rel level	Released
chr	-	-						
appr	Pei-Ming Zheng	2014/08/07	product family	-	cat. no.	-	Product - Customer Drw	sheet 3 of 4
			title R/A RECT 56P HIGH POWER CARD EDGE			dwg no 10131216		rev A

TABLE 2				
PART NUMBER	TAIL TYPE	HOLD DOWN OPTION	ORIENTATION KEY	DIM T TAIL LENGTH
10131216-001LF	SOLDER TAIL	NO	YES	3.25±0.25
10131216-002LF			NO	
10131216-003LF		YES	YES	
10131216-004LF			NO	
10131216-005LF		NO	YES	2.60±0.25
10131216-006LF			NO	
10131216-007LF		YES	YES	
10131216-008LF			NO	



NOTES:

- CONNECTOR MATERIALS:
 HOUSING: HIGH TEMPERATURE THERMAL PLASTIC, BLACK
 UL 94V-0 COMPLIANT
 CONTACTS: HIGH PERFORMANCE COPPER ALLOY.
- CONTACT FINISH REF. GS-12-604 SECTION 5.2.
- PRODUCT SPECIFICATION: GS-12-604.
- APPLICATION SPECIFICATION: GS-20-128.
- PRODUCT MARKING (FCI - PART NUMBER & DATE CODE) ON HOUSING IN AREA SHOWN.
- PACKAGING MEETS FCI SPECIFICATION GS-14-937.
- ALL HOLE SIZES ARE FINISHED HOLE SIZES.
- MOUNTING HOLES ARE UNPLATED
 \varnothing 2.18 +/- 0.03 FOR SOLDER TAILS

dr	Hai-Ling Liu	2014/08/04	projection	MM	size	A2	scale	1:1
eng	Hai-Ling Liu	2014/08/07			ecn no	-		
chr	-	-			rel level	Released		
appr	Pei-Ming Zheng	2014/08/07	product family	-				
		title	R/A RECT 56P		dwg no	10131216		rev
www.fci.com		cat. no.	-		Product - Customer Drw	sheet 4 of 4		A