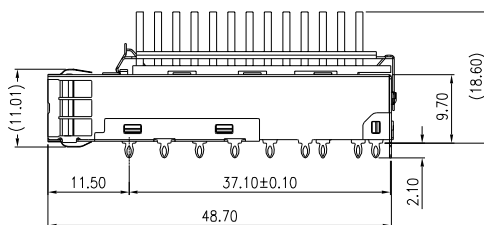
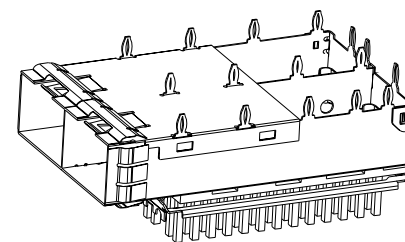
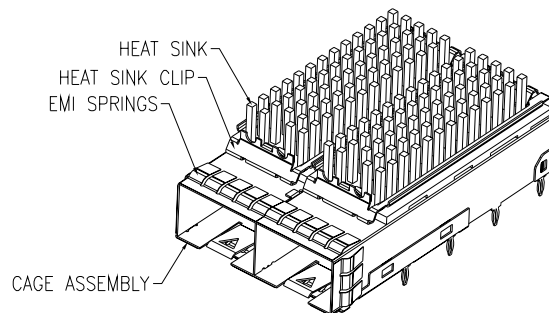
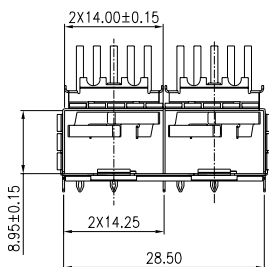
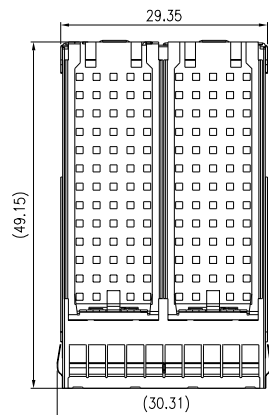


Product Number	Packaging
10127105-101LF	Tray

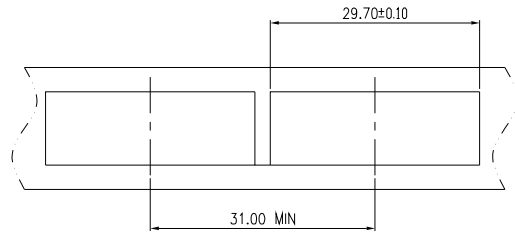


NOTES:

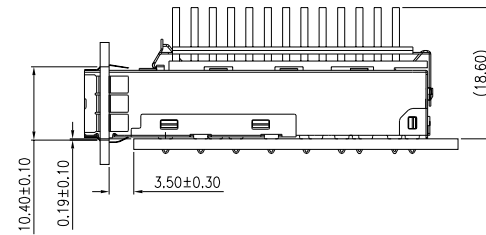
1. DESCRIPTION	Q'ty	MATERIAL	PLATING
CAGE ASSEMBLY	1PCS	NICKEL SILVER ALLOY T=0.25	NO PLATING
EMI SPRINGS	4PCS	COPPER ALLOY T=0.08	Ni PLATED
HEAT SINK	2PCS	ALUMINIUM ALLOY	Ni PLATED
HEAT SINK CLIP	4PCS	STAINLESS STEEL T=0.25	NO PLATING

2, PRODUCT SPECIFICATION: GS-12-1165
 3, APPLICATION SPECIFICATION: GS-20-0384
 4, PACKAGE PER GS-14-2344 AND GS-14-920

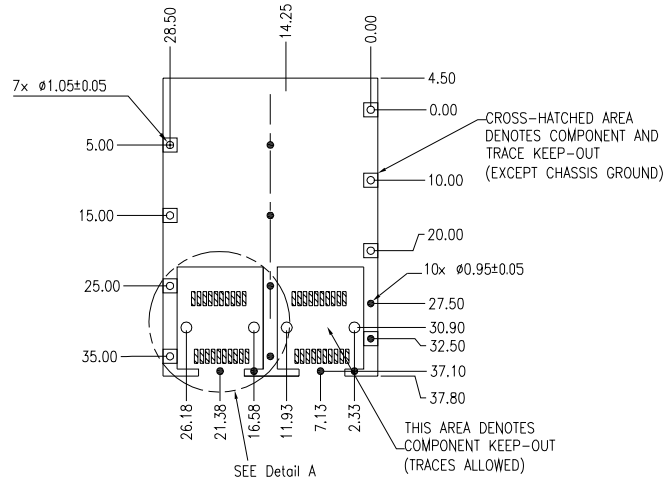
spec ref	RELEASE	dr	Art Lin	2016-04-18	projection 	size A4	scale 1:1				
tolerance std	TOLERANCES UNLESS OTHERWISE SPECIFIED	eng	Art Lin	2016-04-18							
ISO406		chr									
ISO1101		appr	Pei-Ming,Zheng	2016-04-18	product family	SFP+	ecn no				
rel level	Released	Amphenol FCi		title		SFP+ 1X2 CAGE ASSEMBLY		dwg no	10127105	rev	D
surface	linear	0.X	±0.25	www.fci.com	cat. no.	-	Product-Customer Drw				
		0.XX	±0.20								
		0.XXX	±0.15								
ISO1302	angular	0°	±0.5°								



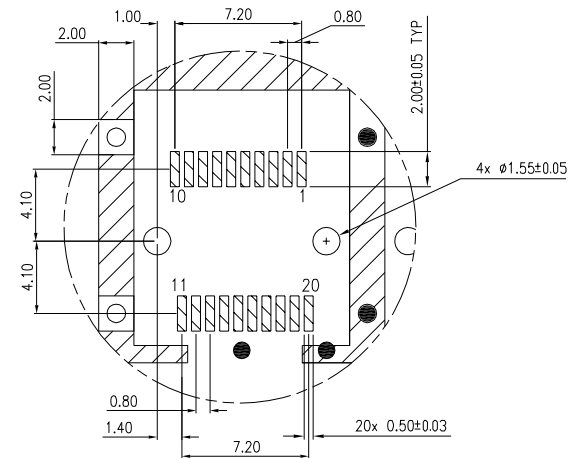
RECOMMENDED BEZEL CUT-CUT SINGLE SIDE APPLICATIONS



MOUNTED ON PC BOARD
SHOWN THRU RECOMMENDED BEZEL



PCB LAYOUT THICKNESS=3.0MM (TOP VIEW)



Detail A
SCALE 2.5:1

spec ref	RELEASE			dr	Art Lin	2016-04-18	projection	MM	size	A4	scale	1:1
tolerance std	TOLERANCES UNLESS OTHERWISE SPECIFIED			eng	Art Lin	2016-04-18			ecn no	rel level	Released	
ISO406				chr			product family				SFP+	
ISO1101				appr	Pei-Ming,Zheng	2016-04-18	product family		SFP+		rel level	Released
surface	linear	0.X	±0.25	Amphenol FCi	title	SFP+ 1X2 CAGE ASSEMBLY EMI SPRING TYPE PRESS FIT WITH HEATSINK		dwg no	10127105		rev	D
		0.XX	±0.20									
0.XXX	±0.15											
ISO1302	angular	0°	±0.5°	www.fci.com	cat. no.	-	Product-Customer Drw		sheet 2 of 2			