

# Customer Information Sheet

DRAWING No.: S7081-42R

SHEET 2 OF 2

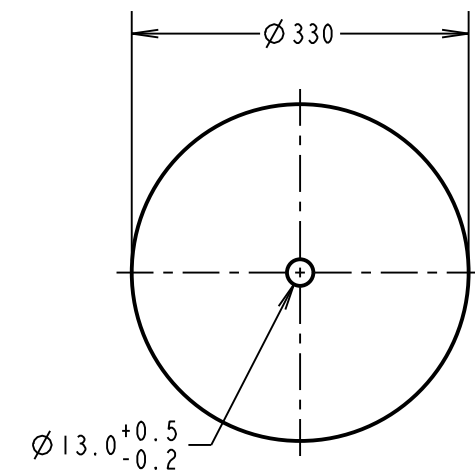
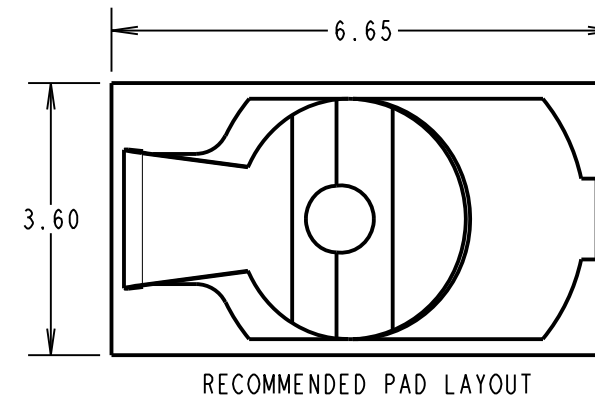
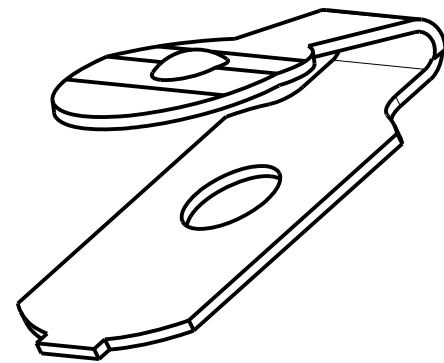
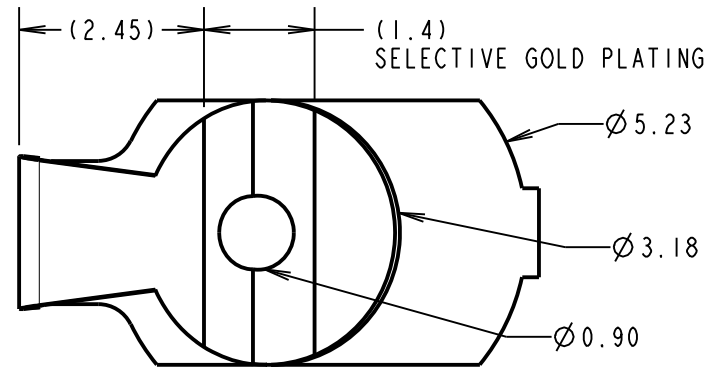
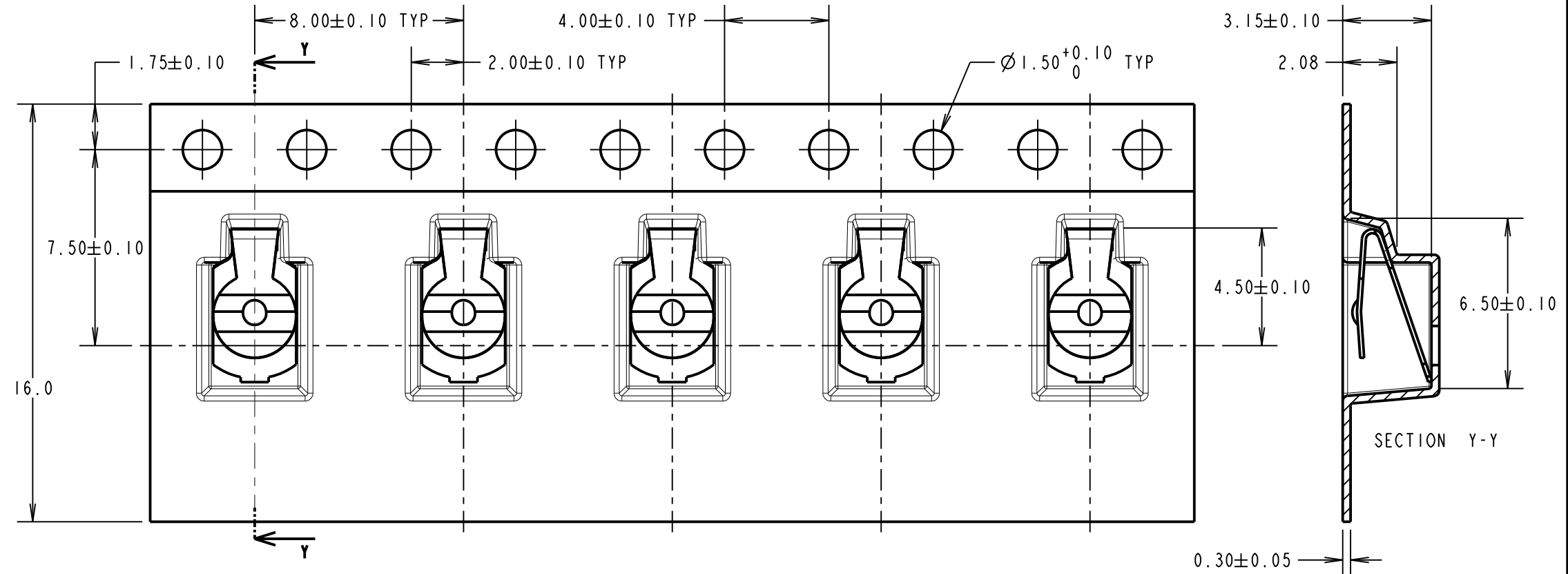
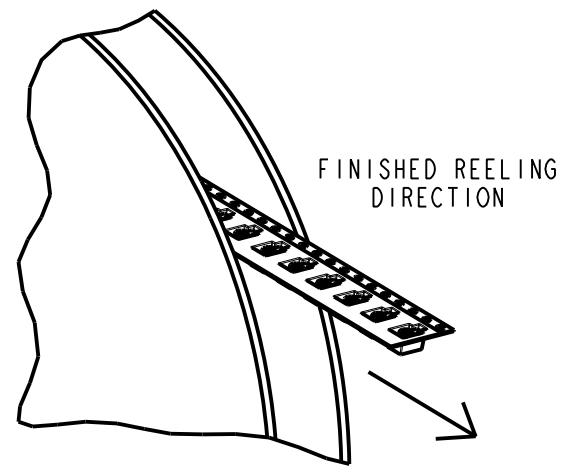
IF IN DOUBT - ASK

©

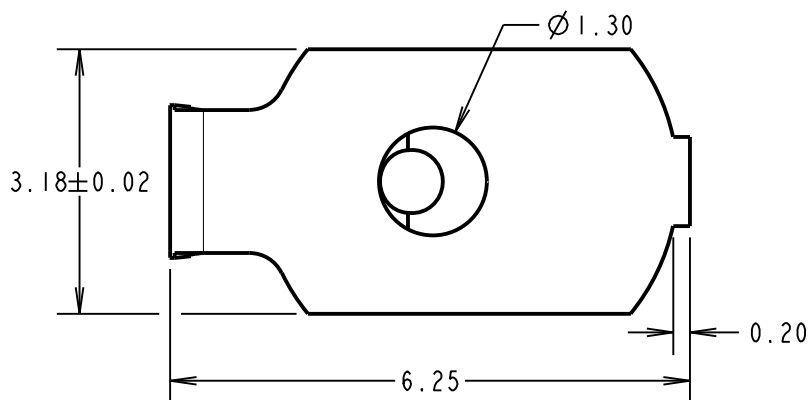
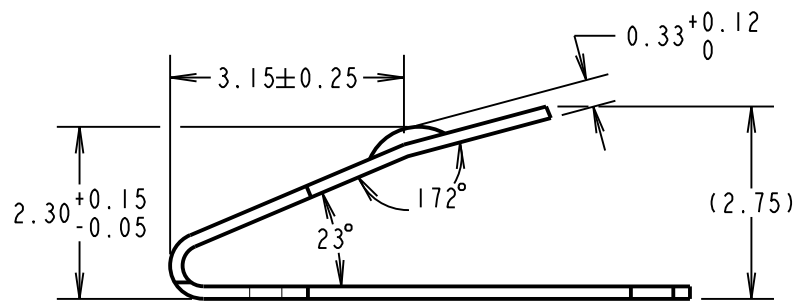
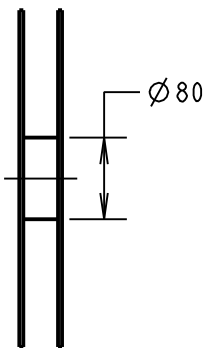
NOT TO SCALE

THIRD ANGLE PROJECTION

ALL DIMENSIONS IN mm



## REEL DETAILS



## COMPONENT SPECIFICATION

MATERIAL = TITANIUM COPPER ALLOY,  
0.15mm THICK  
FINISH = 0.7µ-1.3µ NICKEL, GOLD FLASH  
ON CONTACTS AND 2.54µ MIN 100%  
TIN ON FOOT AREA.

RECOMMENDED WORKING HEIGHT = 2.10mm / MIN FORCE = 1.2N  
RECOMMENDED MINIMUM WORKING HEIGHT = 1.70mm

### ELECTRICAL:

CONTACT RATING = 4A

### MECHANICAL:

DURABILITY = 1000 CYCLES

### ENVIRONMENTAL:

OPERATING TEMPERATURE = -55°C TO +125°C

## NOTES:

- QUANTITY PER REEL = 2500.
- ALL TOLERANCES ARE: X.X = ±0.30mm  
X.XX = ±0.10mm  
X.XXX = ±0.01mm  
ANGLES = ±2.0°  
UNLESS OTHERWISE STATED.

SB	6	20.11.13	12234
NAME	ISS.	DATE	C/NOTE
APPROVED: S.BENNETT			
CHECKED: S.FLOWER			
DRAWN: R.ADDE			
CUSTOMER REF.:			
ASSEMBLY DRG:			

# HARWIN

www.harwin.com  
technical@harwin.com

THIS DRAWING AND ANY INFORMATION OR DESCRIPTIVE MATTER SET OUT HEREON ARE CONFIDENTIAL AND COPYRIGHT PROPERTY OF THE HARWIN GROUP AND MUST NOT BE DISCLOSED, LOANED, COPIED OR USED FOR MANUFACTURING, TENDERING OR FOR ANY OTHER PURPOSE WITHOUT THEIR WRITTEN PERMISSION.

## TOLERANCES

X = ±1mm  
X.X = ±0.25mm  
X.XX = ±0.10mm  
X.XXX = ±0.01mm  
ANGLES = ±5°  
UNLESS STATED

## MATERIAL:

SEE ABOVE

## FINISH:

SEE ABOVE

## S/AREA:

mm<sup>2</sup>

## TITLE:

SMT SHIELD FINGER (2.75mm)  
IN TAPE AND REEL

## DRAWING NUMBER:

S7081-42R

SHT  
2  
OF  
2