

4

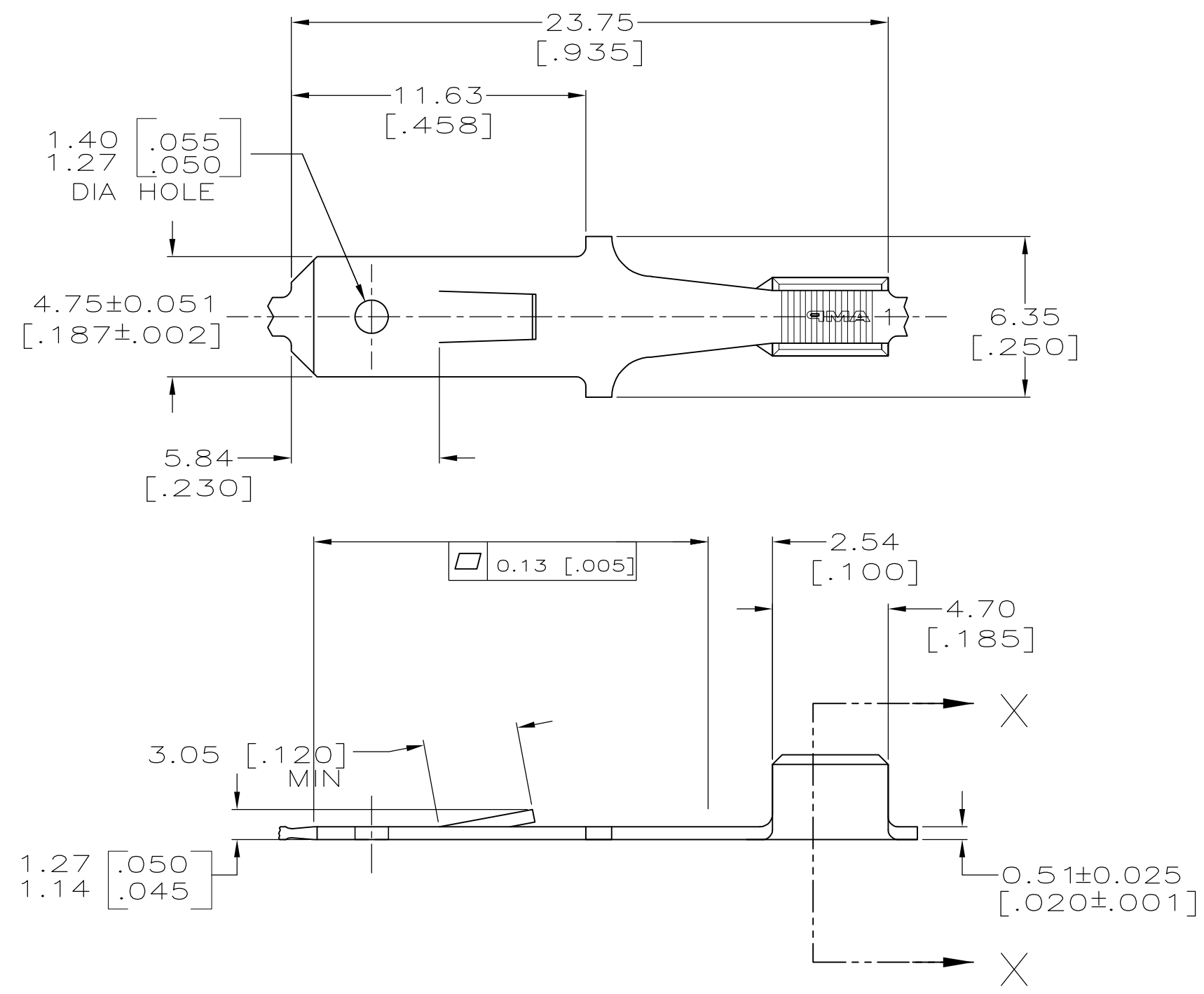
3

2

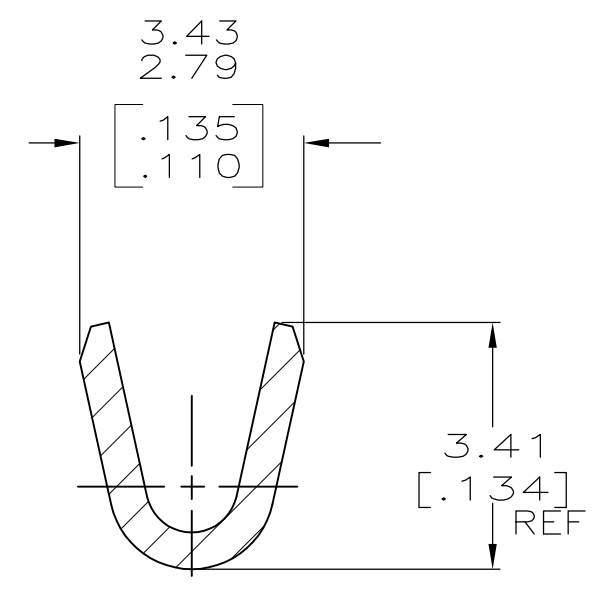
1

THIS DRAWING IS UNPUBLISHED. RELEASED FOR PUBLICATION ,19 .
 © COPYRIGHT 19 BY AMP INCORPORATED. ALL RIGHTS RESERVED.

LOC	DIST	REVISIONS			
P	LTR	DESCRIPTION	DATE	DWN	APVD
	E	ADDED -2 PER 0G1A-0452-98	12/19/98	JR	SU
	E1	REVISED PER ECO-09-020932	08/09/09	KK	AEG



- 1 CONTINUOUS STRIP ON REELS.
- △2 WIRE SIZE IS [#21-#16] MAGNET WIRE.
- 3 REVERSE REELING OF 62731-1.
- △4 OBSOLETE PARTS: OBSOLETE CIS STREAMLINING PER D.RENAUD/D.SINISI



SECTION X-X
SCALE 10:1

△4 OBSOLETE	△3 -62731-2-
	62731-1
PART NO.	

THIS DRAWING IS A CONTROLLED DOCUMENT.		DWN JR RUTH 12/17/98	AMP AMP Incorporated Harrisburg, PA 17105-3608	
DIMENSIONS: MM [INCHES]		CHK MS FEHER 12/17/98		
TOLERANCES UNLESS OTHERWISE SPECIFIED:		APVD S UNGER 12/17/98	NAME TAB, FASTIN-FASTON, AMPLIVAR, 4.75 [.187] SERIES	
0 PLC ±-		PRODUCT SPEC -	SIZE CAGE CODE DRAWING NO RESTRICTED TO	
1 PLC ±-		APPLICATION SPEC -	A3 00779 C- 62731	
2 PLC ±0.25 [.010]		WEIGHT -	SCALE 5:1 SHEET 1 OF 1 REV E1	
3 PLC ±-		CUSTOMER DRAWING		
4 PLC ±-				
ANGLES ±-				
MATERIAL 082 BRASS				
FINISH 0.002032 [.000080] MIN TIN				