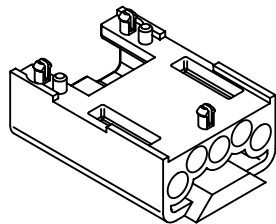



countersunk screw
M3x6 enclosed separately



	All rights reserved Department EL PD - DE	All Dimensions in mm Original Size DIN A4		Scale 2:1	Free size tol.		Ref. Sub. TB 09 12 004 3011 v. 21.03.11	
		HARTING Electric GmbH & Co. KG D-32339 Espelkamp	Created by FINKEV	Inspected by SCHNIEDER	Standardisation TIEMANNA	Date 2014-05-19	State Final Release	
				Title Han Brid-M w/o optical module				
				Type TB	Number 09 12 004 3011		Rev. A	Page 1/1